

2JW1101-C952B

GNSS Connector Mount Antenna

Key Features

GPS/GLONASS/BeiDou/QZSS/Galileo

- 1561-1606 MHz

Connector Mount

High Performance

Hinged Connector

Ground Plane Independent

Dimensions 135 × 19 × 10 mm



1. Antenna and electrical specifications

Parameters	GNSS Antenna		
	BeiDou	GPS/QZSS/Galileo	GLONASS
Standards			
Band (MHz)	1561	1575	1602
Frequency (MHz)	1561.098	1575.42	1598-1606
Return Loss (dB)	~-19.3	~-15.7	~-16.2
VSWR	~1.2:1	~1.4:1	~1.4:1
Efficiency (%)	~69.5	~72.3	~73.4
Peak Gain (dBi)	~-2.3	~-2.6	~-2.4
Average Gain (dB)	~-1.6	~-1.4	~-1.3
Impedance (Ohm)		50	
Polarisation		Linear	
Radiation Pattern		Omni-Directional	
Max. Input Power (W)		25	
Connector Type		SMA-Male	

Antenna Measurement Conditions:

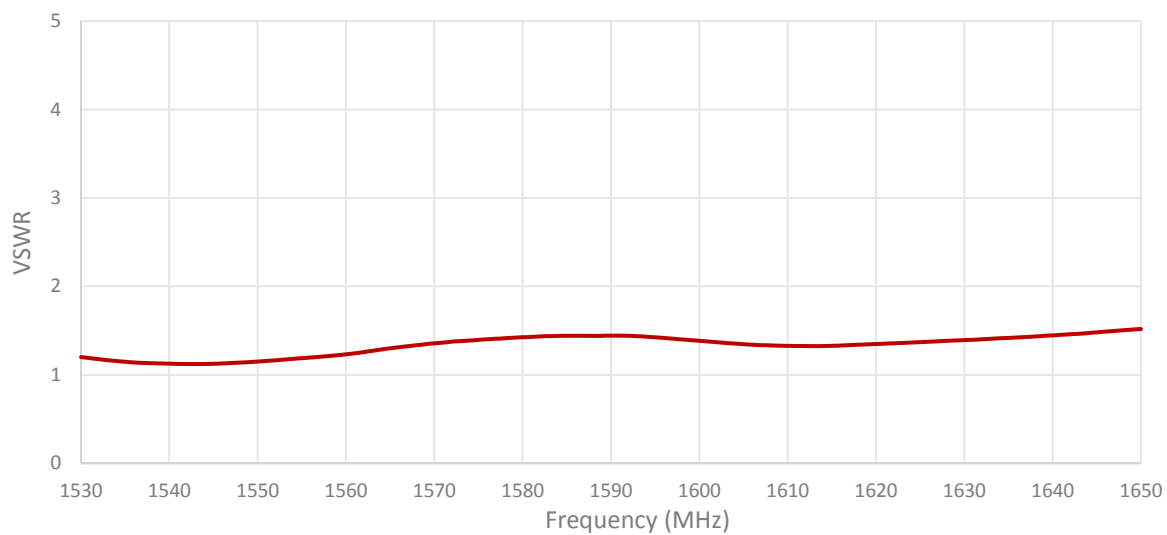
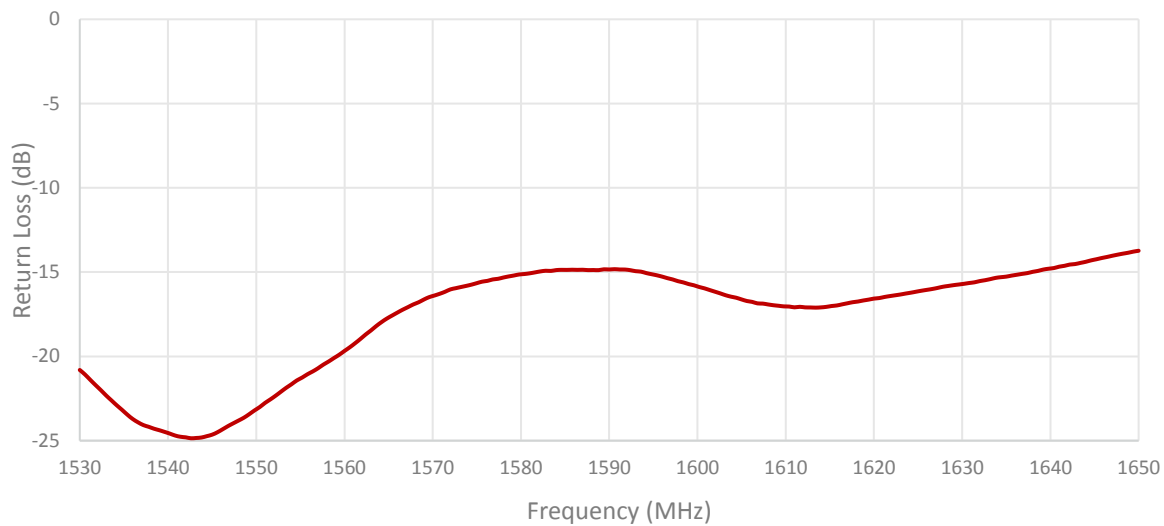
Free Space

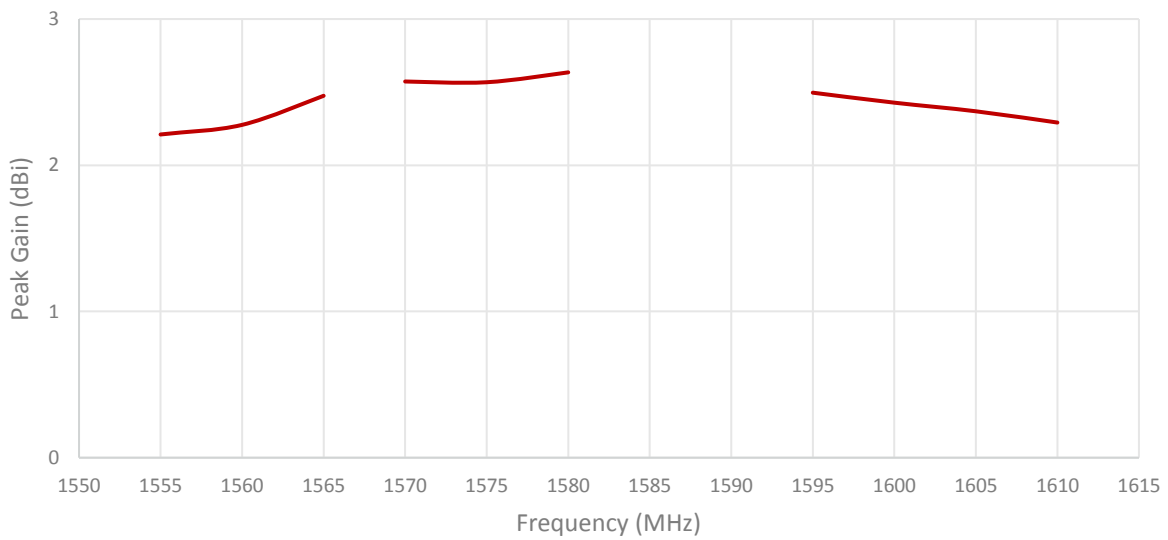
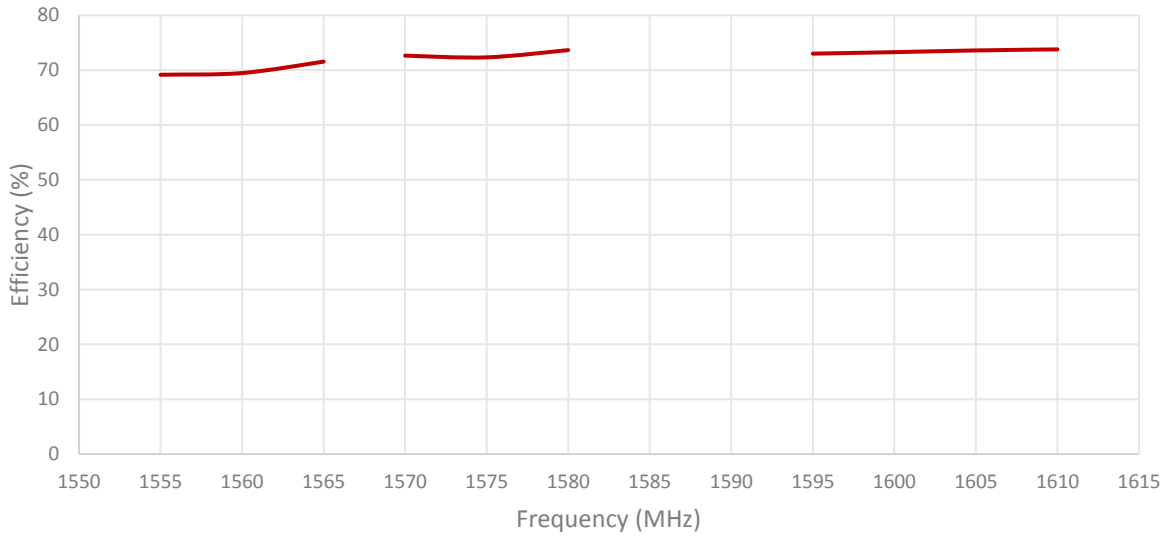
Measured in Certified CTIA 3D Anechoic Chamber

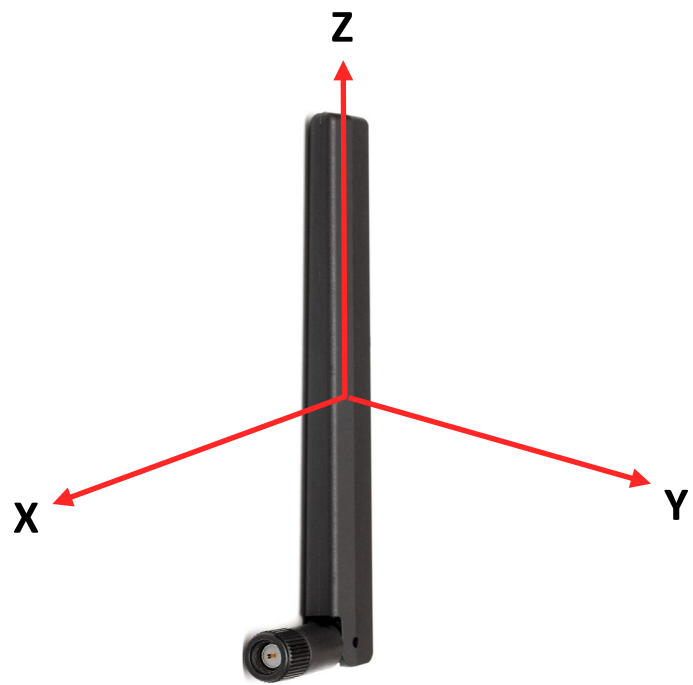
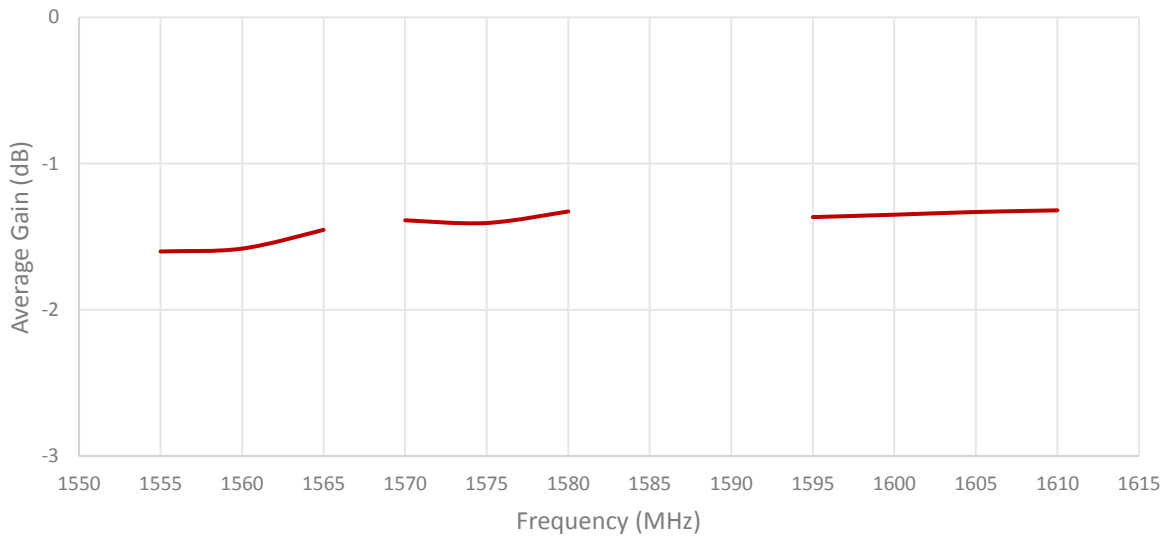
2. Mechanical and environmental specifications

Specifications	2JW1101-C952B
Mounting Type	Connector Mount
Dimensions (mm)	135 × 19 × 10
Radome	ASA
Radome color	Black
Connector Feature	Hinged
Operating Temperature (C)	-40 to +85
Storage Temperature (C)	-40 to +85
Substance Compliance	RoHS

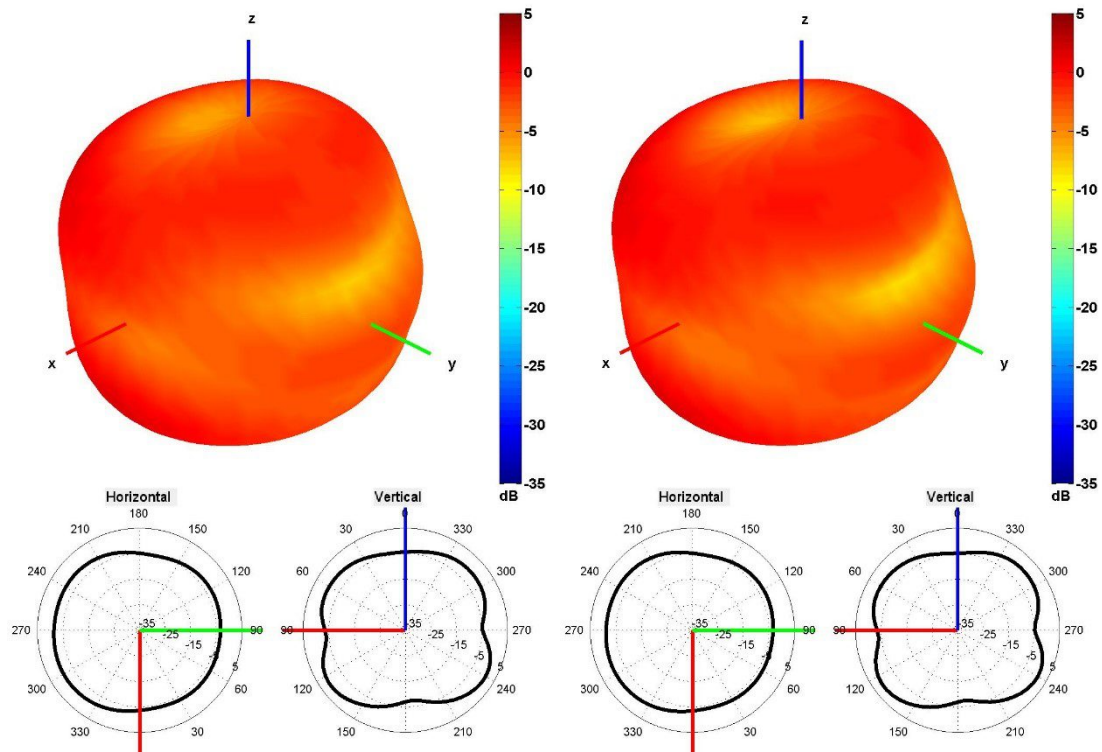
3. Antenna parameters



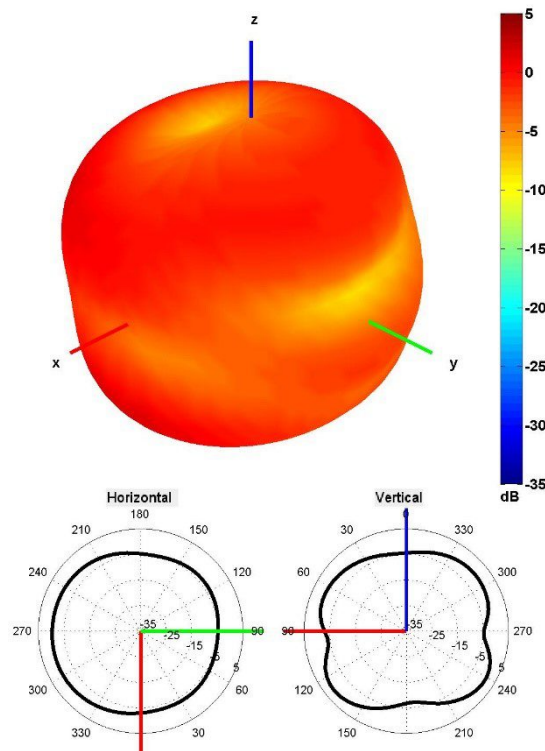




Radiation pattern reference



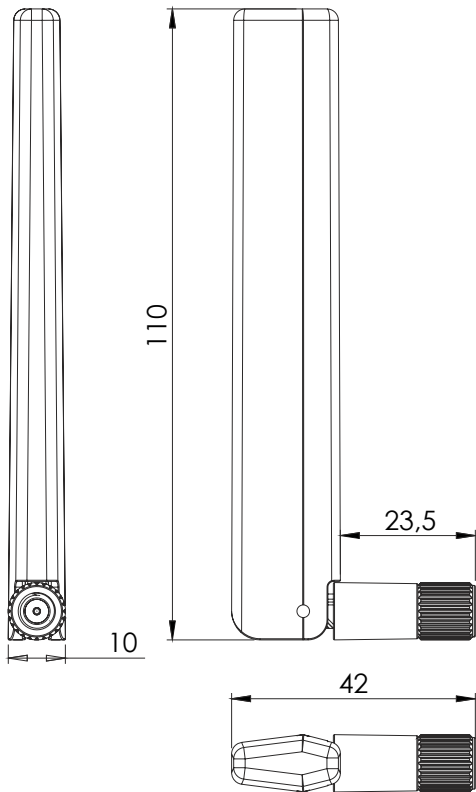
1560 and 1575 MHz Radiation pattern



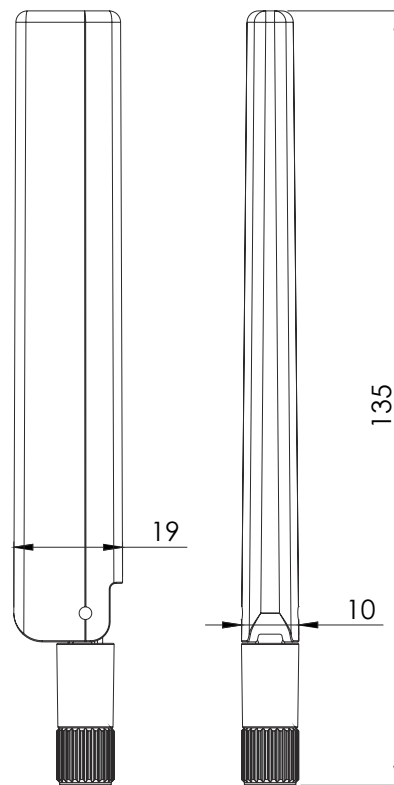
1600 MHz Radiation pattern

4. Antenna drawings

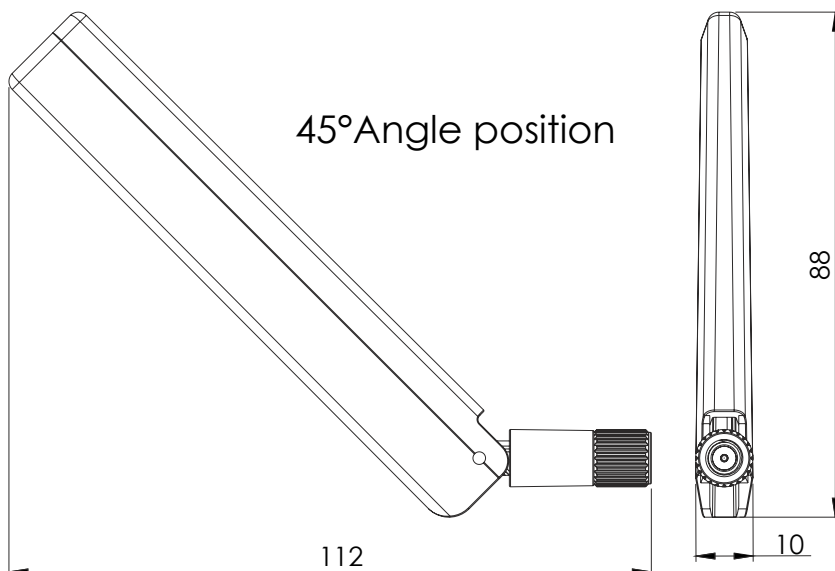
Right Angle position



Straight position



45° Angle position



5. Antenna Images

