

2JSPL01

FM-DAB Active Splitter

Key Features

FM-DAB Active splitter

Cable 1: FM

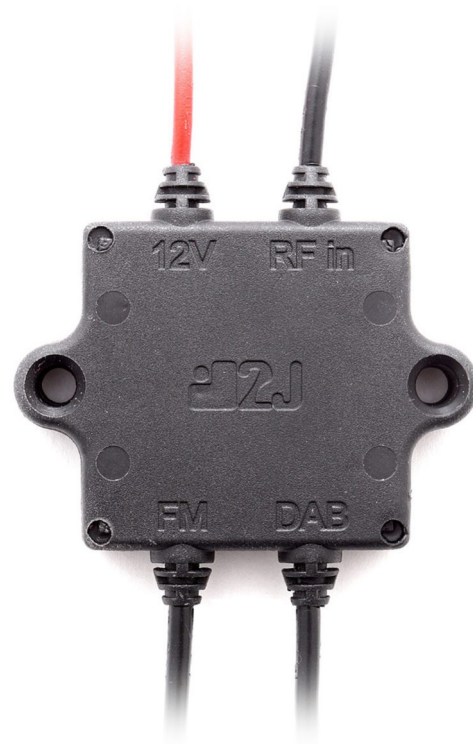
- 87.5-108 MHz

Cable 2: DAB

- 150-240 MHz

Adhesive Mount

Dimensions 54 × 51 × 11 mm



1. Splitter electrical specifications

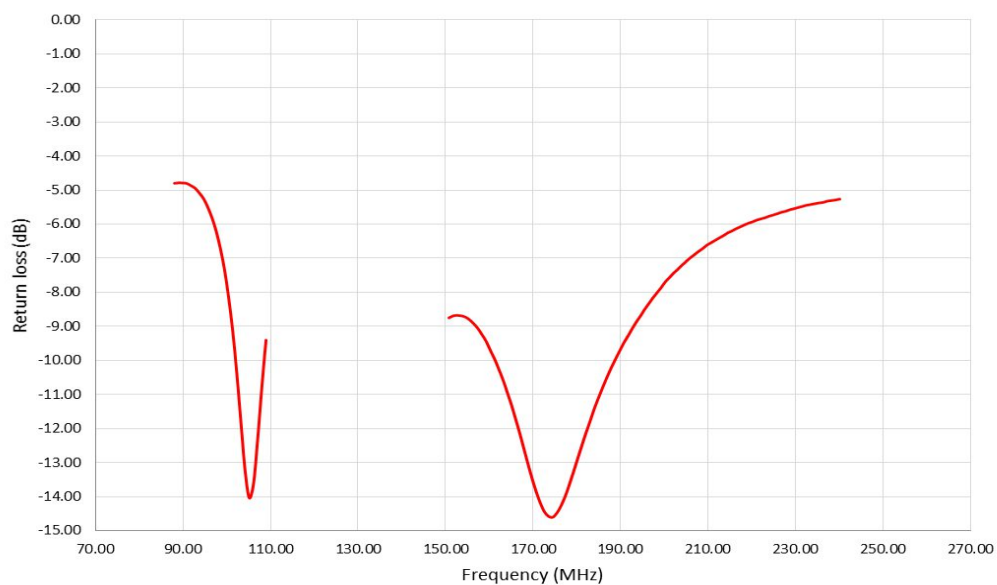
Parameters	Cable 1	Cable 2
	FM Output	DAB Output
Standards	FM	DAB
Frequency (MHz)	87.5-108	150-240
Impedance (Ohm)	50	50
Active Gain (dB)	27 dB Max.	27 dB Max.
Noise Figure (dB)	2 dB	2 dB
Phantom Power Supply	Yes	Yes
Current Consumption (mA)	typ. 35 mA	
Voltage (V)	12V DC phantom supply on RF Output, or 12V DC via red power cable	
Connector Type	DIN Male - Standard <i>(Other Connectors Available)</i>	SMB Female - Standard <i>(Other Connectors Available)</i>
Cable Length	30 cm Standard <i>(Any Cable Length Available)</i>	30 cm Standard <i>(Any Cable Length Available)</i>
Cable Type	D400 - Standard <i>(Other Cables Available)</i>	D400 - Standard <i>(Other Cables Available)</i>
RF Input		
Connector Type	DIN Female - Standard <i>(Other Connectors Available)</i>	
Cable Length	30 cm Standard <i>(Any Cable Length Available)</i>	
Cable Type	D400 - Standard <i>(Other Cables Available)</i>	
Power Supply		
Connector Type	None	
Cable Length	30 cm Standard <i>(Any Cable Length Available)</i>	
Cable Type	Red Wire AWG20	

2. Mechanical and environmental specifications

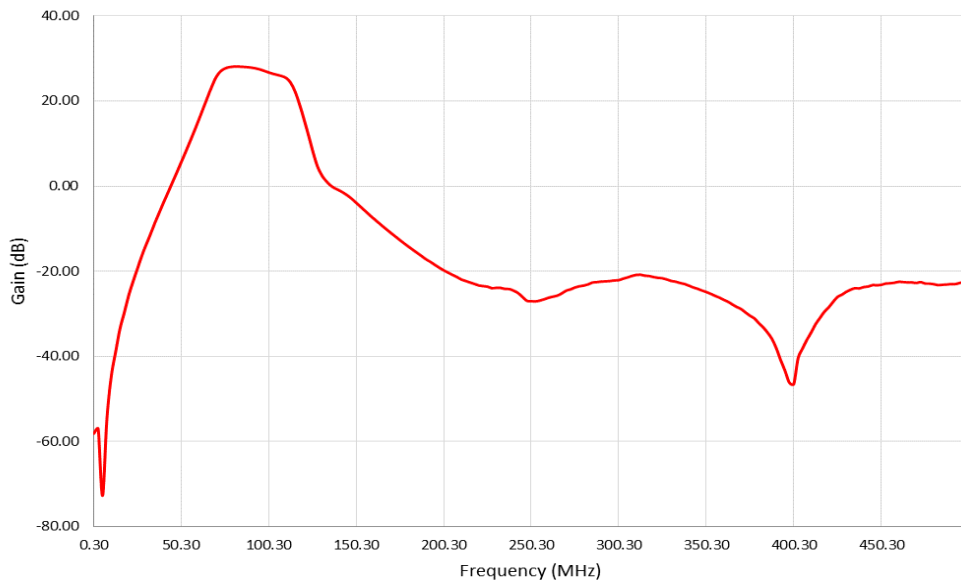
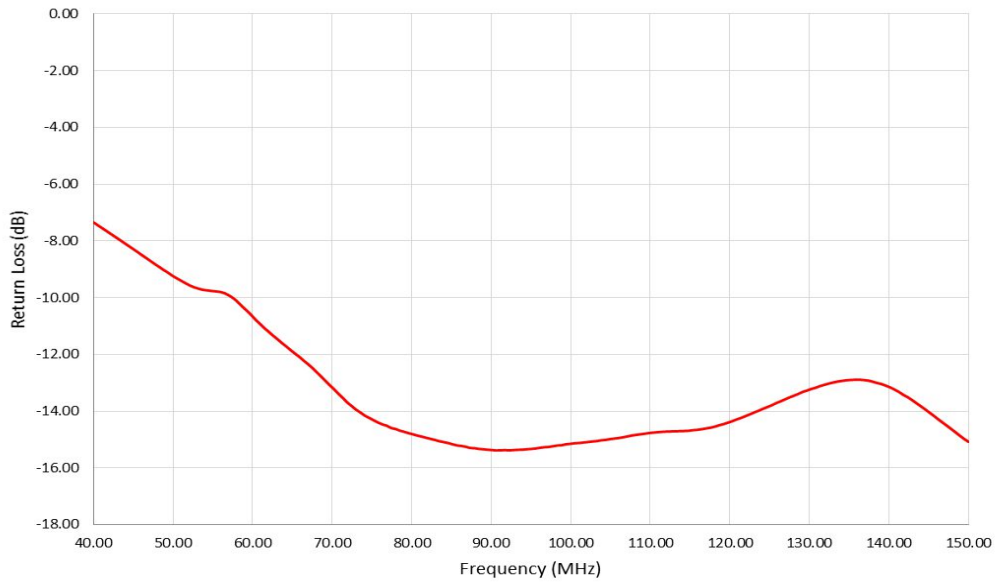
Specifications	2JSPL01
Mounting Type	Adhesive Mount
Dimensions (mm)	54 × 51 × 11
Radome Type	TPE
Radome color	Black
Operating Temperature (C)	-40 to +85
Storage Temperature (C)	-40 to +85
Substance Compliance	RoHS
Certificates	IP67

3. Splitter parameters

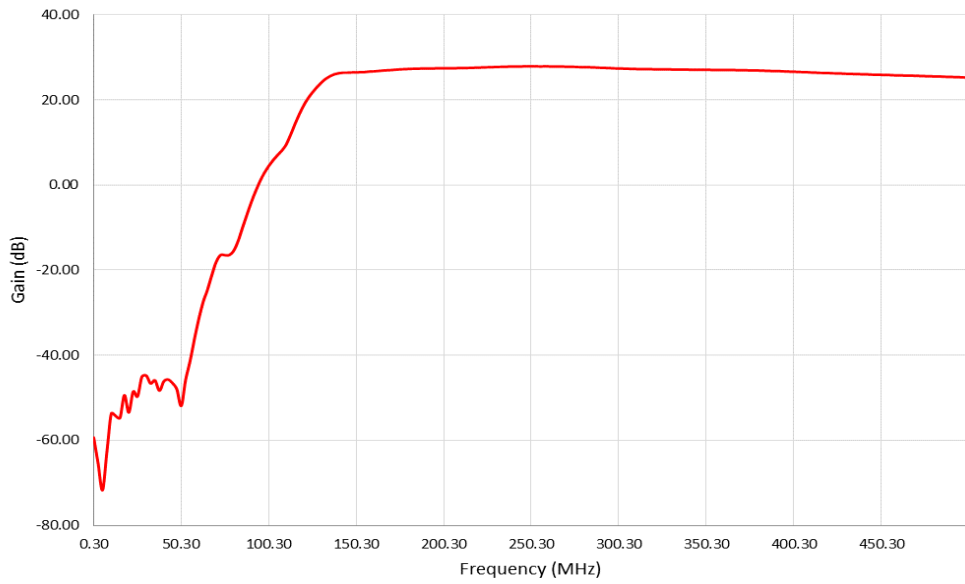
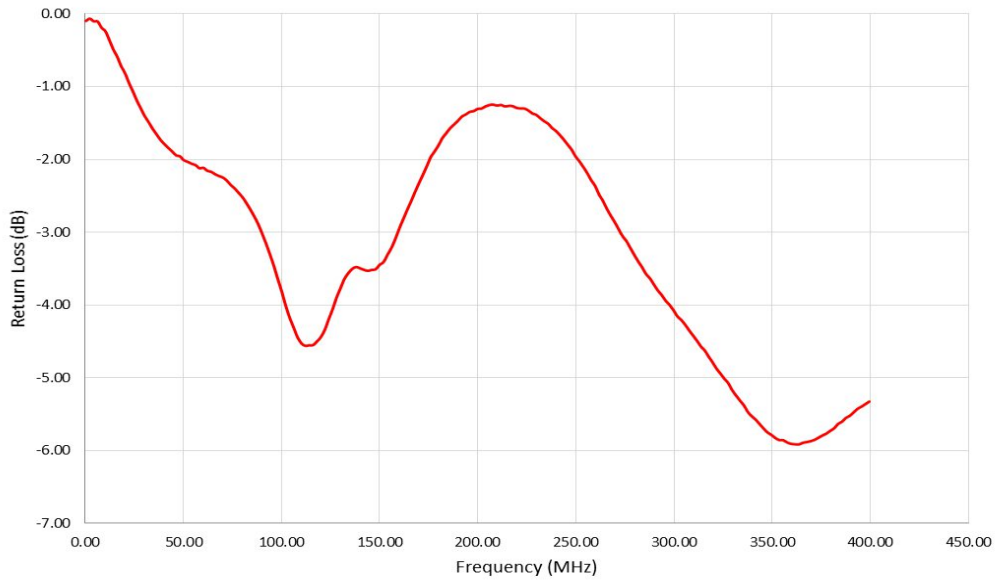
RF Input cable - Measured with 30 cm RG174 Cable



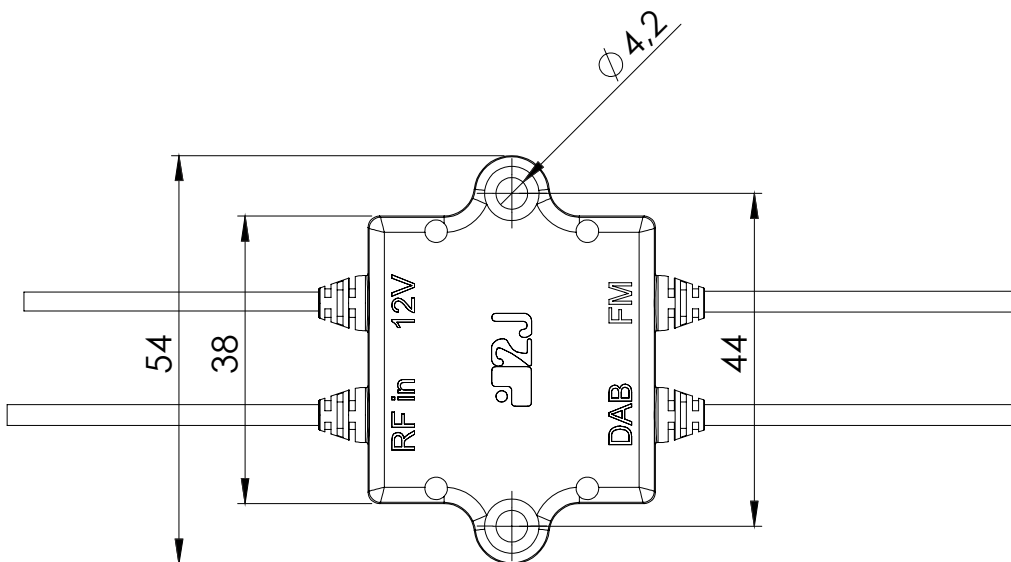
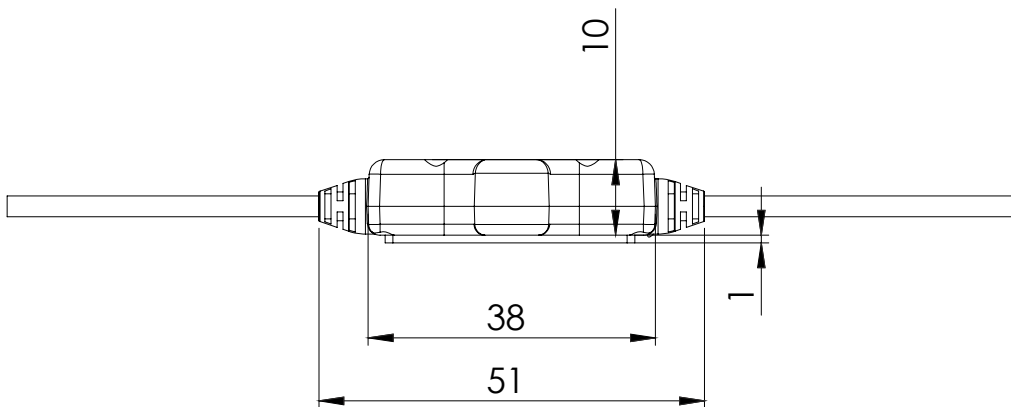
FM Output



DAB Output



4. Splitter drawings



5. Splitter Images

