

2JCP2540201c

2.4 GHz ISM Ceramic Thru-Hole Mount

Key Features

2.4 GHz ISM

- 2410-2490 MHz

Thru-Hole Mount

High Gain

Ground Plane Dependent

Dimensions 25 x 25 x 4 mm



1. Antenna and electrical specifications

Parameters	2.4 GHz ISM Ceramic Thru-Hole Mount Antenna
Standards	WiFi, BT, ZigBee, ISM
Band (MHz)	2.4 GHz
Frequency (MHz)	2410-2490
Return Loss (dB)	~-17.8
VSWR	~1.4:1
Efficiency (%)	~95.5
Peak Gain (dBi)	~-5.0
Average Gain (dB)	~-0.3
Impedance (Ohm)	50
Polarisation	RHCP
Radiation Pattern	Hemispherical

Antenna Measurement Conditions:

Free Space

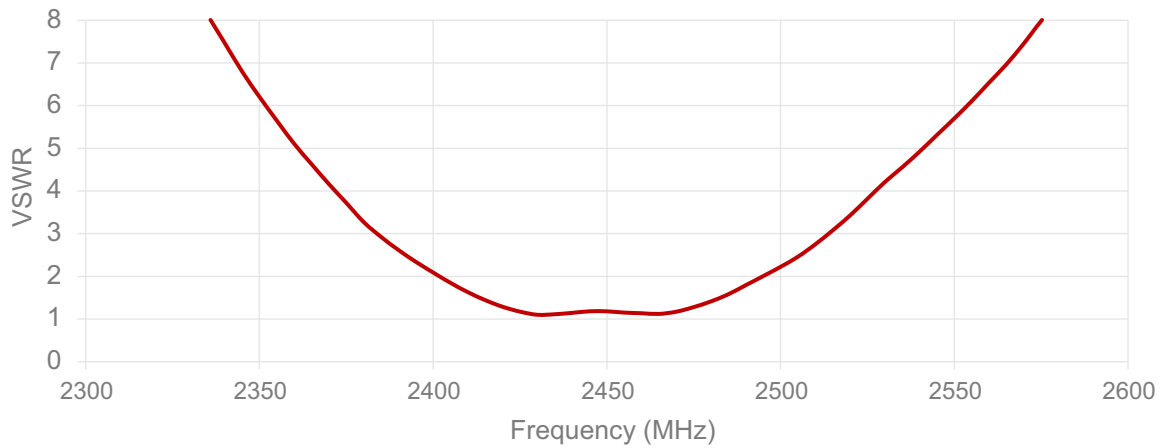
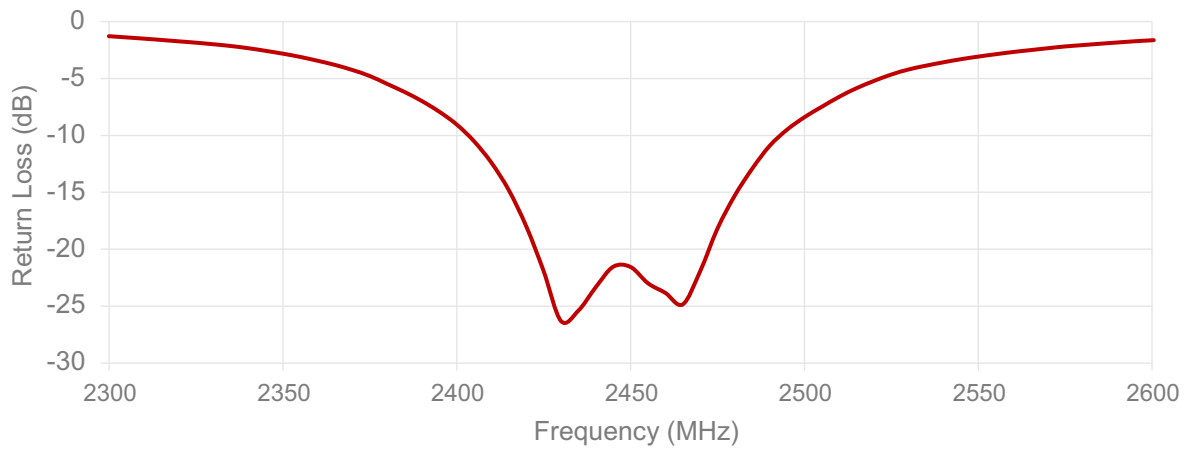
Mounted on Ground Plane of 70 x 70 mm

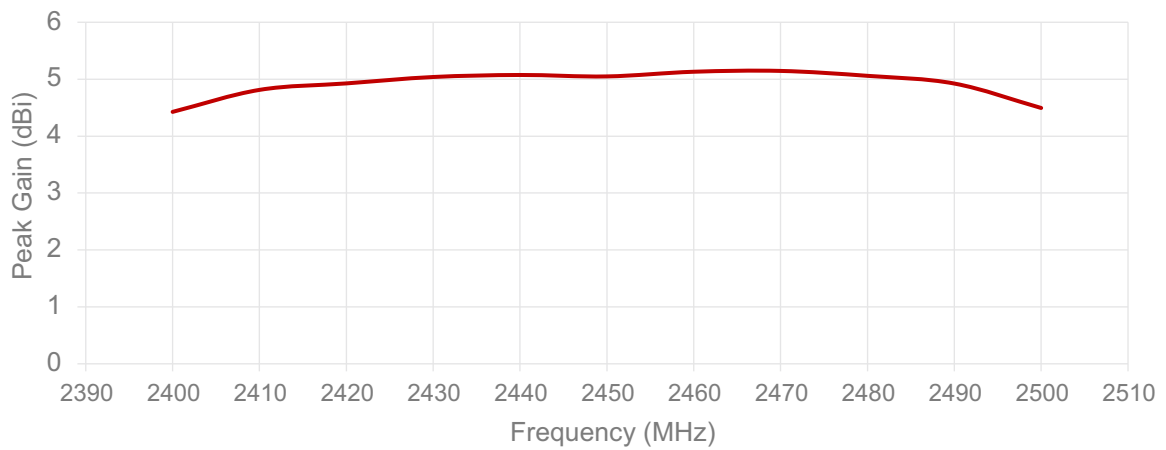
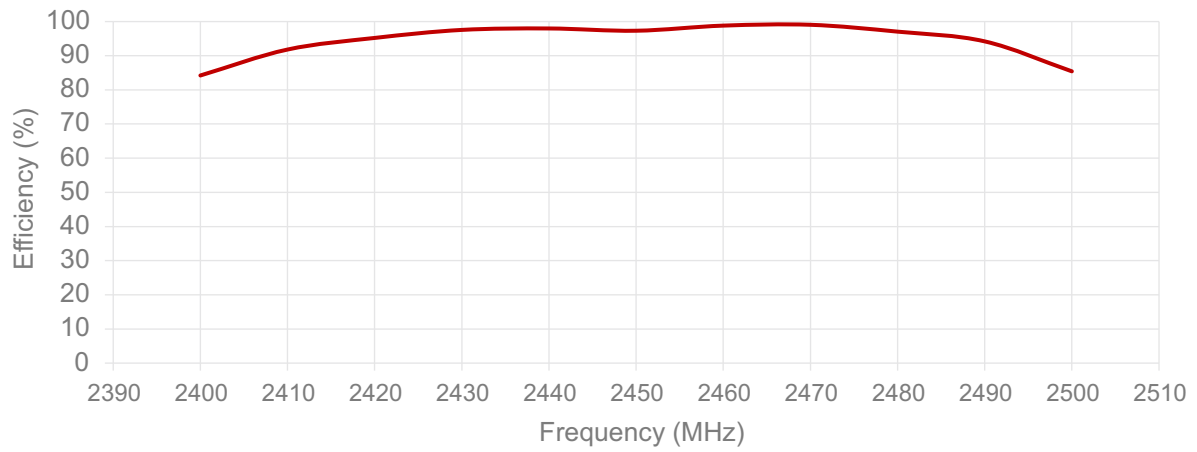
Measured in Certified CTIA 3D Anechoic Chamber

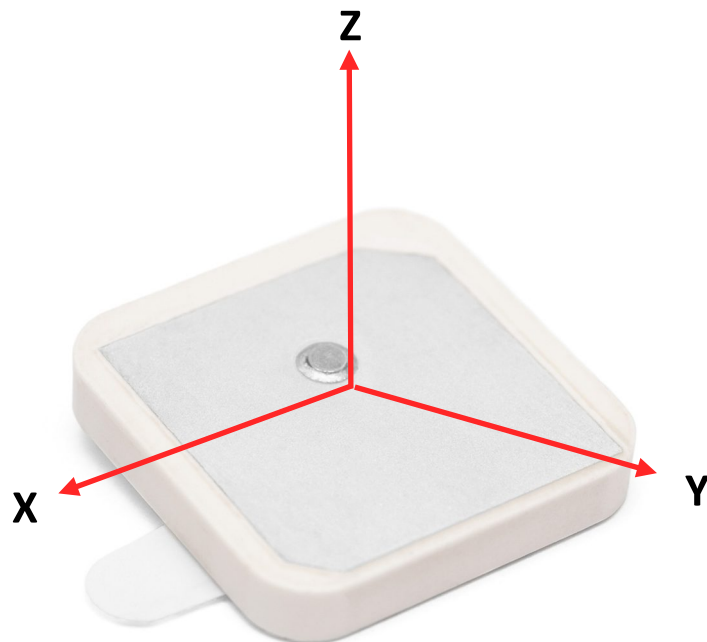
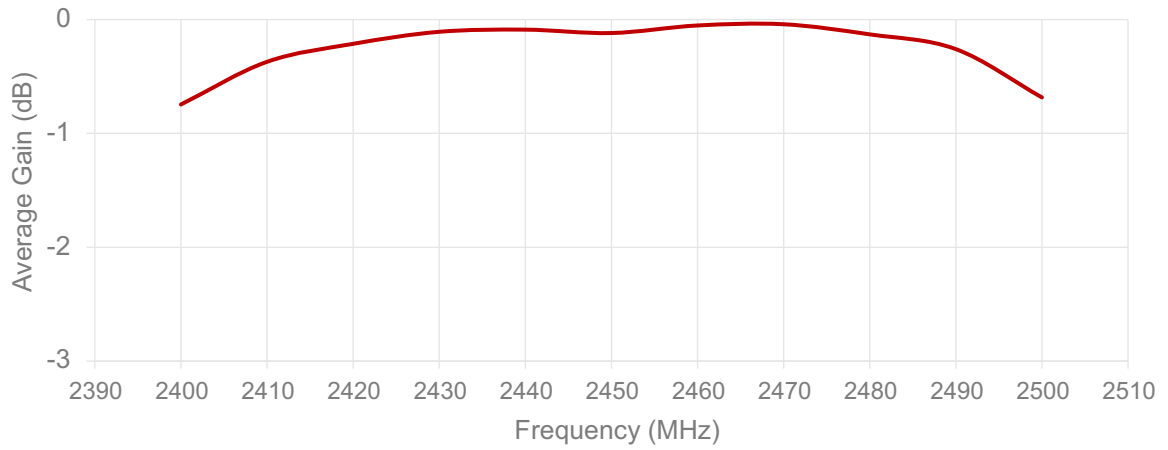
2. Mechanical and environmental specifications

Specifications	2JCP2540201c
Mounting Type	Thru-Hole Mount
Adhesive	Nitto 5000NS
Dimensions (mm)	25 x 25 x 4
Operating Temperature (C)	-40 to +85
Storage Temperature (C)	-40 to +85
Substance Compliance	RoHS

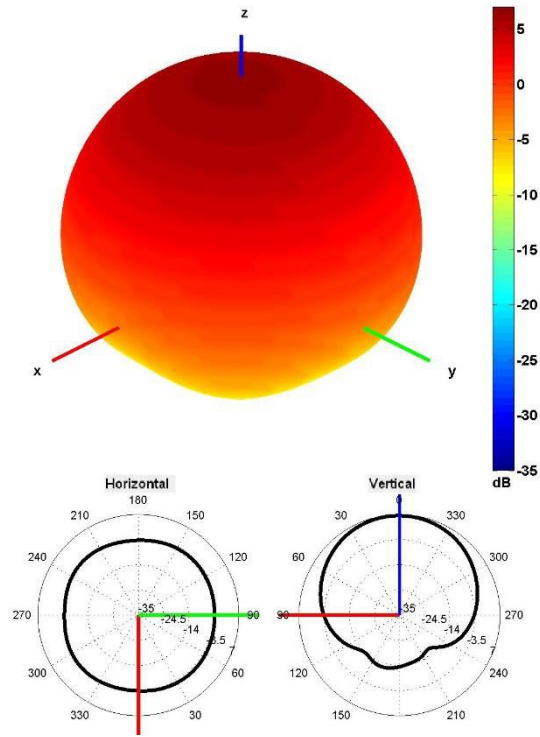
3. Antenna parameters







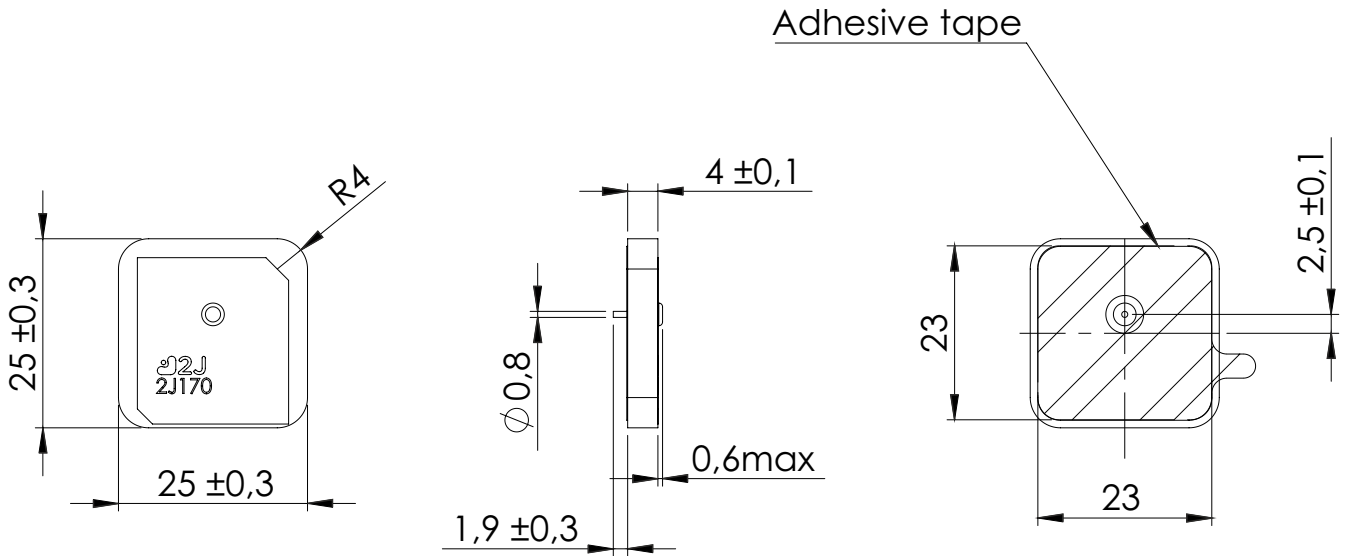
Radiation pattern reference



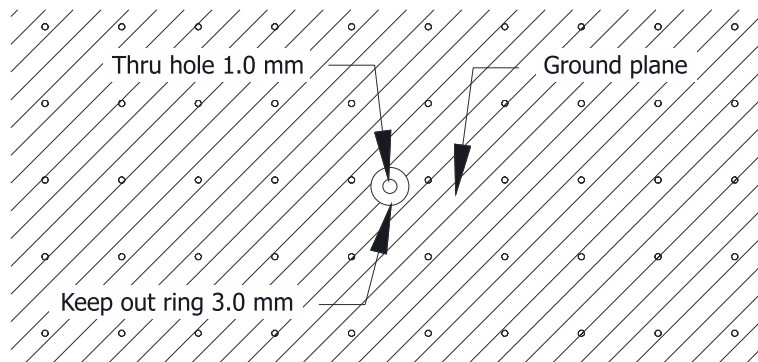
2450 MHz Radiation pattern

4. Antenna drawings

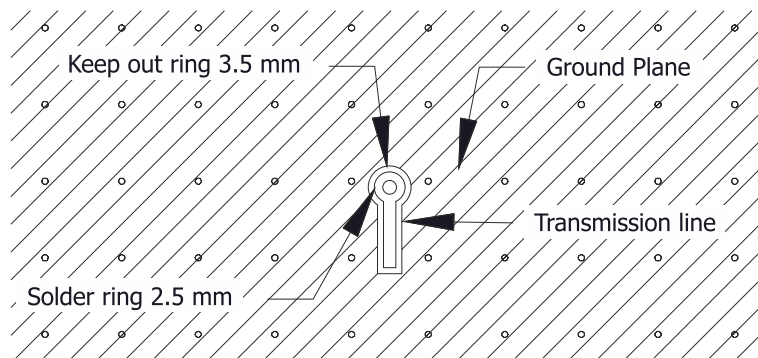
Patch Dimensions



Layout for top layer



Layout for bottom layer



5. Antenna Images

