

2JB04H

Wall Mount Bracket

Key Features

Wall mount metal bracket for antennas equipped with SMA M connector to be connected onto SMA F bulkhead connector

Stainless steel

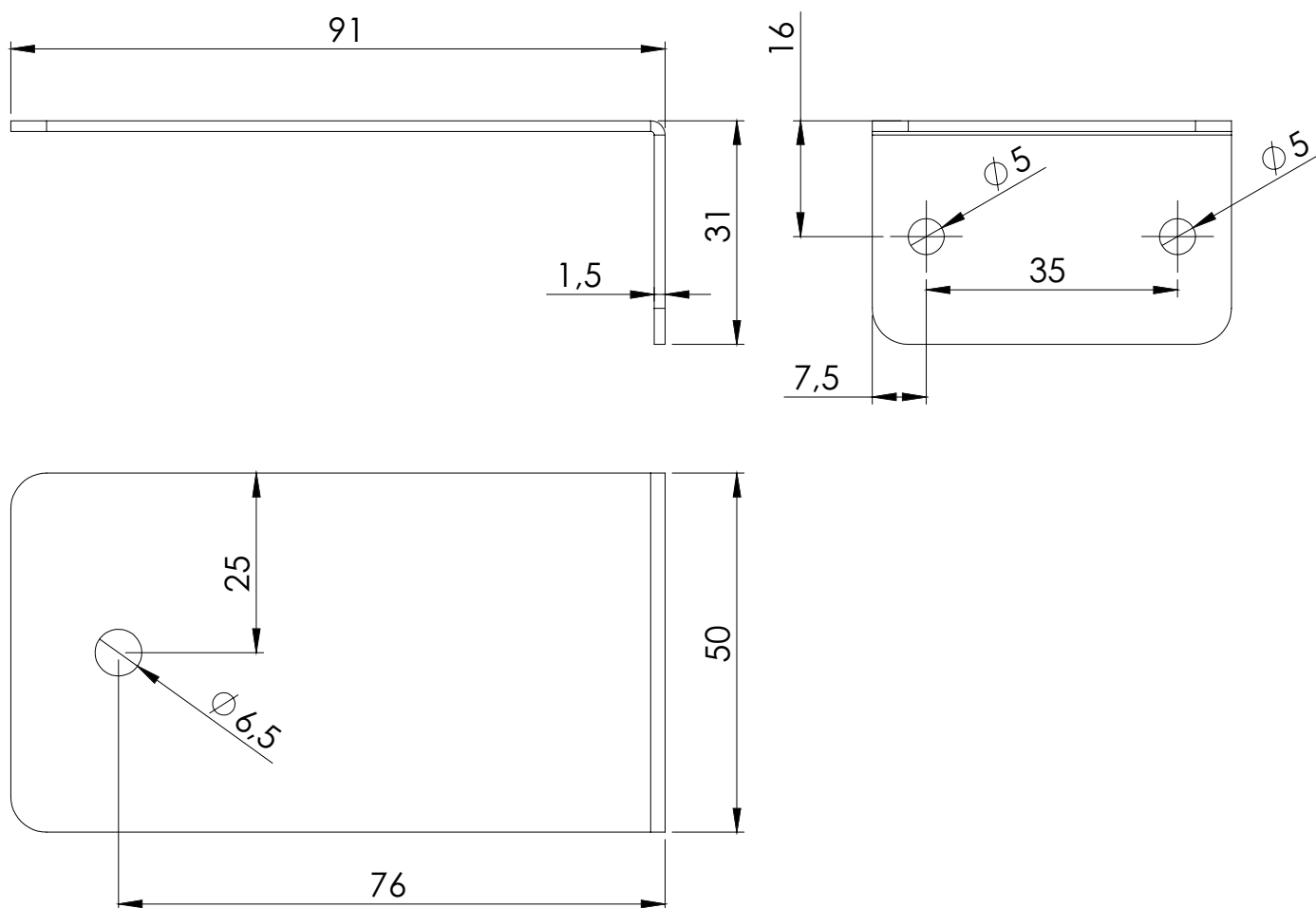
Strong robust solution

Suitable for outdoor usage

Mounting hole \varnothing 6,5 mm



2. Bracket drawings



3. Bracket Images

