

## 2J6926MP

### IRIDIUM Magnetic/Adhesive Mount

#### Key Features

##### IRIDIUM

- 1616-1627 MHz

Magnetic/Adhesive Mount

**Iridium Certified**

Low Profile

High Gain

Ground Plane Independent

Customizable Cable and Connector

Dimensions 89 × 76 × 27/30 mm

Certificates: IP67, IP69



## 1. Antenna and electrical specifications

Cable 1

| Parameters        | IRIDIUM Antenna                                |
|-------------------|--|
| Standards         | IRIDIUM  |
| Bands (MHz)       | 1621   |
| Frequency (MHz)   | 1616 - 1627                                    |
| Return Loss (dB)  | ~-18.8   |
| VSWR              | ~1.2:1   |
| Efficiency (%)    | ~76  |
| Peak Gain (dBi)   | ~4.5   |
| Average Gain (dB) | ~-1.1  |
| Impedance (Ohms)  | 50   |
| Axial Ratio (dB)  | 3 max  |
| Radiation Pattern | Hemispherical                                  |
| Polarization      | RHCP   |
| Connector Type    | SMA-Male Standard (Other Connectors Available) |
| Cable Length      | 300 cm Standard (Any Cable Length Available)   |
| Cable Type        | D302 Standard (Other Cables Available)         |

### Antenna Measurement Conditions:

Mounted on Ground Plane of 70 x 70 mm

No Cable

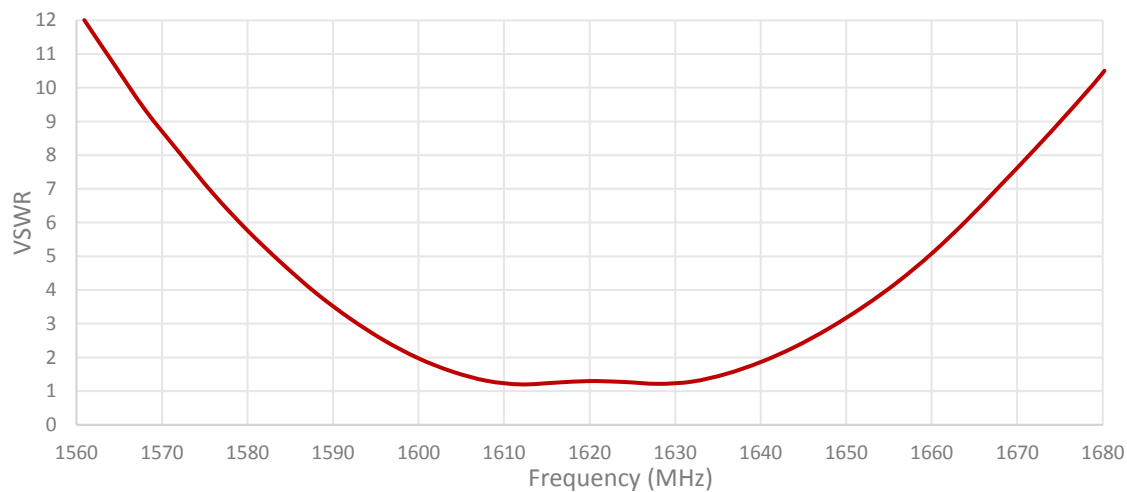
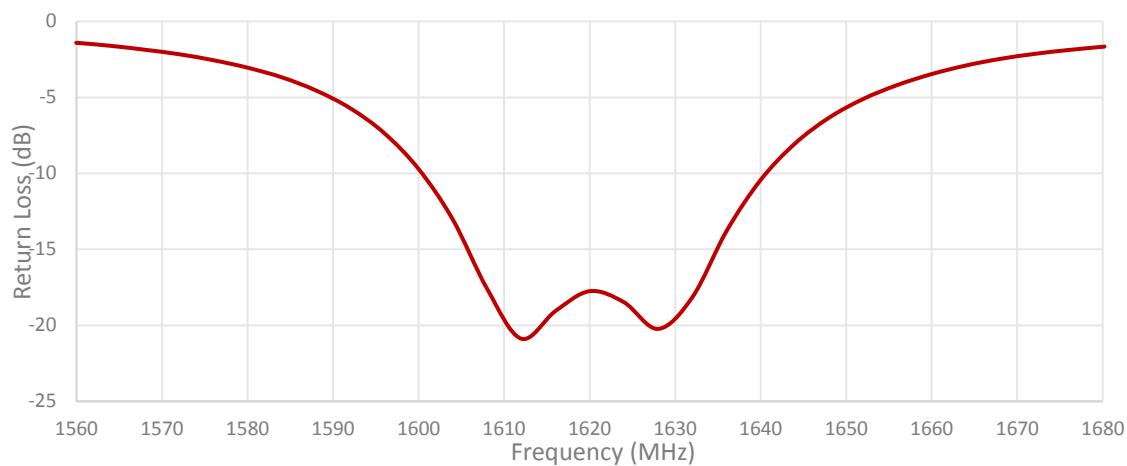
Measured in Certified CTIA 3D Anechoic Chamber

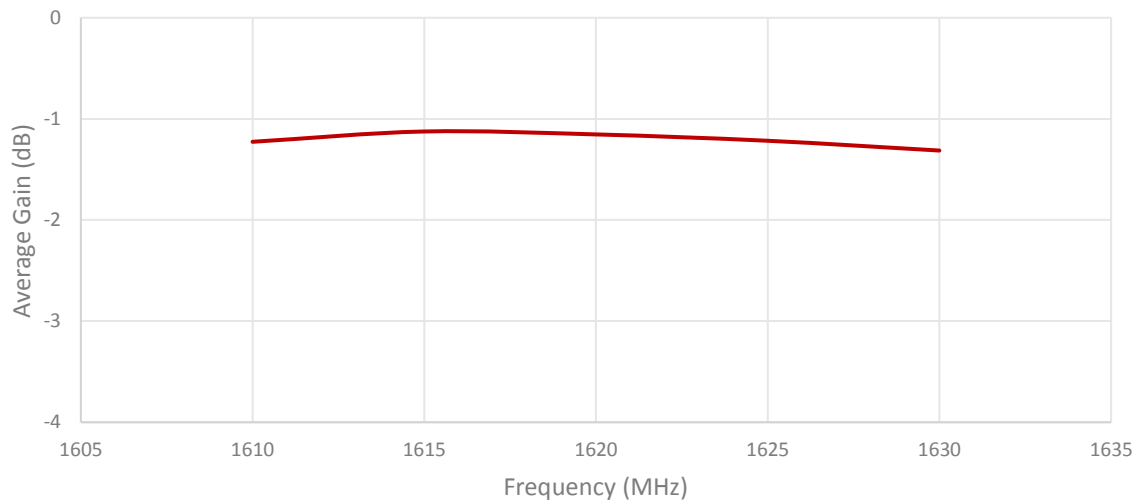
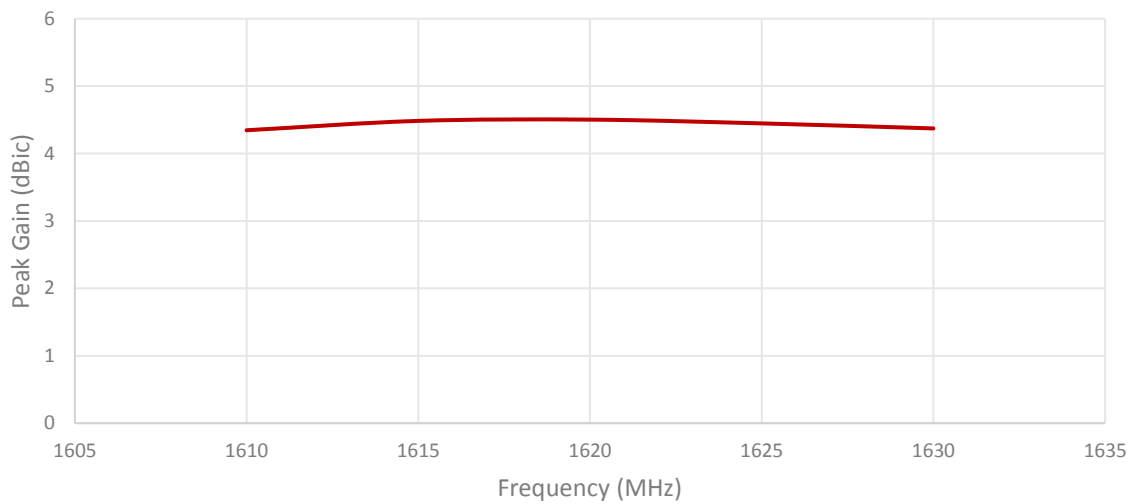
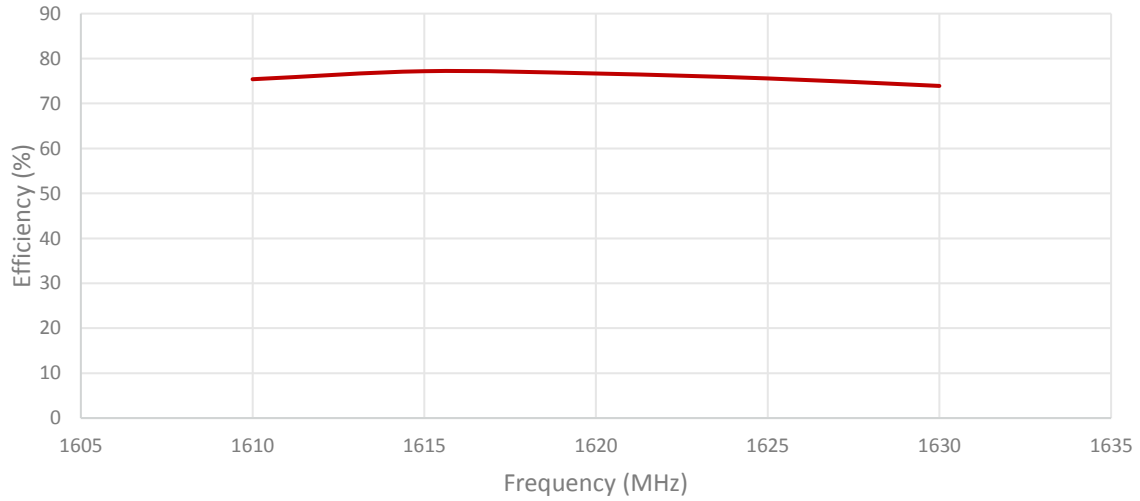
## 2. Mechanical and environmental specifications

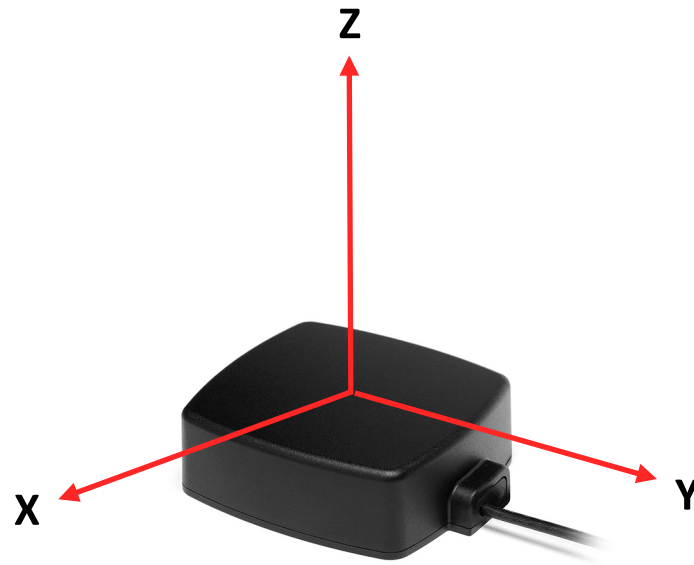
| Specifications            | 2J6926MP                       |
|---------------------------|--------------------------------|
| Mounting Type             | Magnetic/Adhesive Mount        |
| Dimensions (mm)           | 89 × 76 × 27/30                |
| Radome Type               | ABS UV Stable                  |
| Radome Color              | Black, White                   |
| Operating Temperature (C) | -40 to +85                     |
| Storage Temperature (C)   | -40 to +85                     |
| Substance Compliance      | RoHS                           |
| Certificates              | Iridium Certified, IP67, IP69, |

### 3. Antenna parameters

Cable 1: IRIDIUM

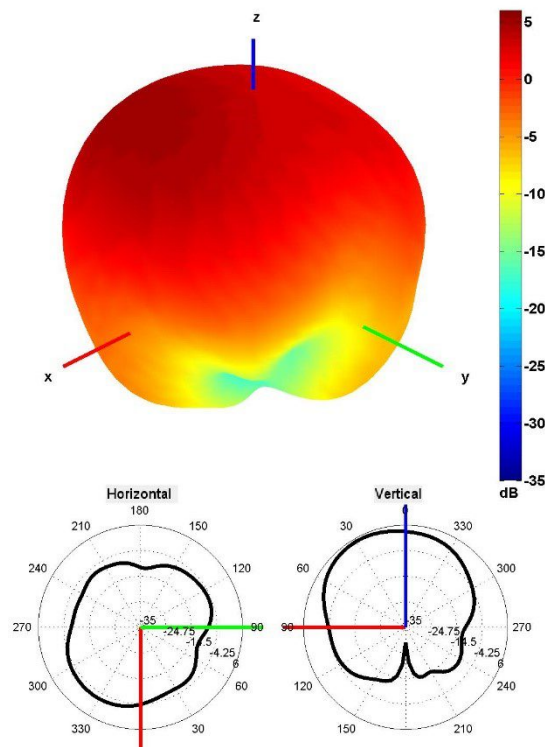






Radiation pattern reference

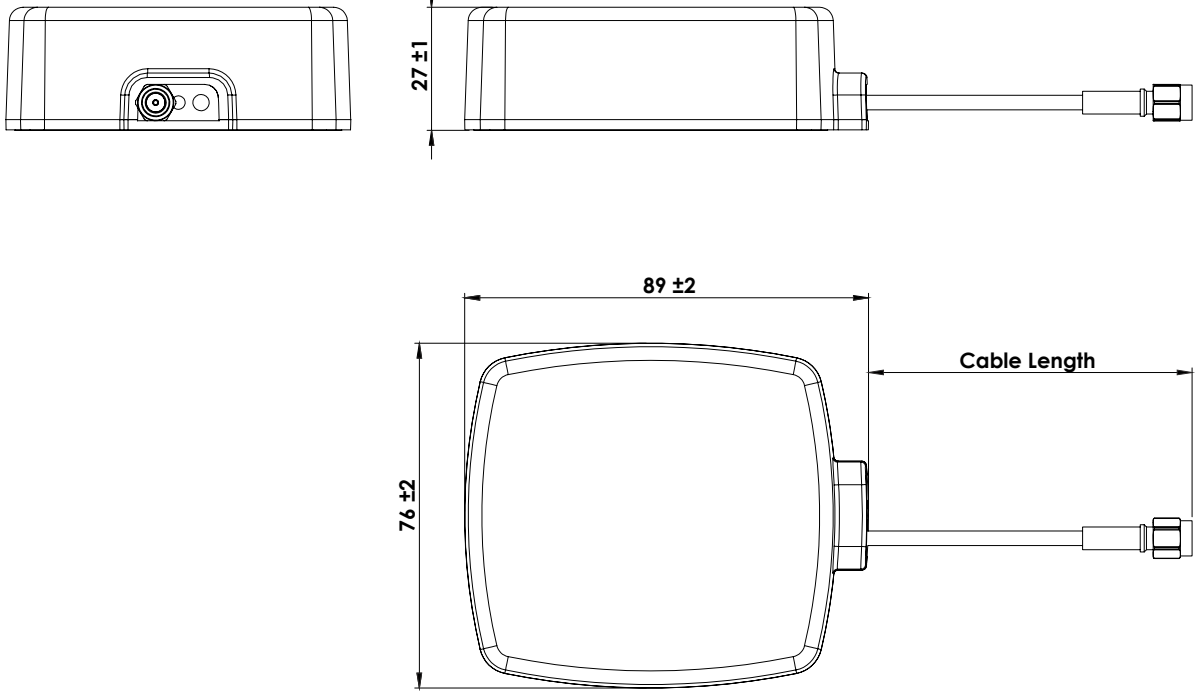
Cable 1: IRIDIUM



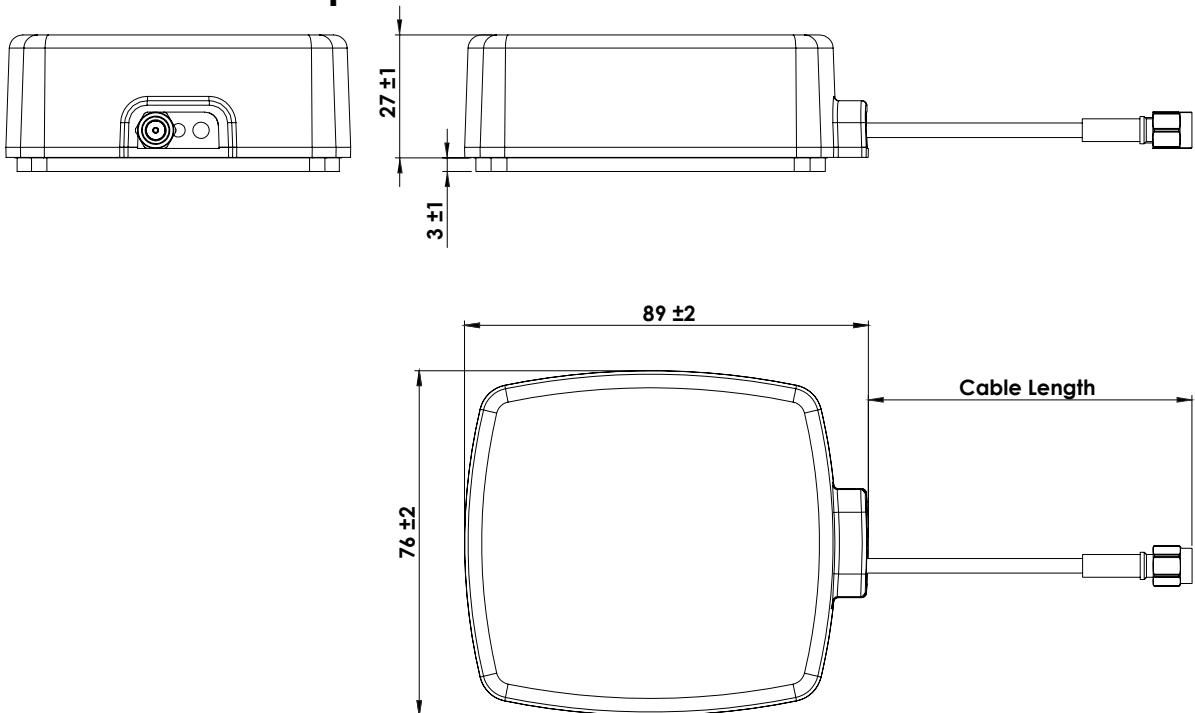
1621 MHz Radiation pattern

## 4. Antenna drawings

### Magnetic Mount option



### Adhesive Mount option



5. Antenna Images

