

# 2J2202-C230N

2.4/5.0/6.0 GHz ISM Connector Mount

## Key Features

### 2.4/5.0/6.0 GHz ISM

- 2410-2490 MHz

- 4920-7125 MHz

Connector Mount

N-Male-RP Right Angle Connector

High Gain

Ground Plane Independent

Dimensions 153 × 40.5 × 22 mm



## 1. Antenna and electrical specifications

Parameters	2.4/5.0/6.0 GHz ISM Antenna		
<b>Standards</b>	WiFi, BT, ZigBee, ISM		
<b>Band (MHz)</b>	2.4 GHz	5.0 GHz	6.0 GHz
<b>Frequency (MHz)</b>	2410-2490	4920-5925	5925-7125
<b>Return Loss (dB)</b>	~-8.2	~-10.4	~-5.0
<b>VSWR</b>	~1.4:1	~1.9:1	~4.0:1
<b>Efficiency (%)</b>	~70.7	~66.8	~40.5
<b>Peak Gain (dBi)</b>	~3.8	~2.1	~1.8
<b>Average Gain (dB)</b>	~-1.0	~-1.6	~-3.8
<b>Impedance (Ohm)</b>	50		
<b>Polarisation</b>	Linear		
<b>Radiation Pattern</b>	Omni-Directional		
<b>Max. Input Power (W)</b>	25		
<b>Connector Type</b>	N-Male-RP Right Angle Connector		

### Antenna Measurement Conditions:

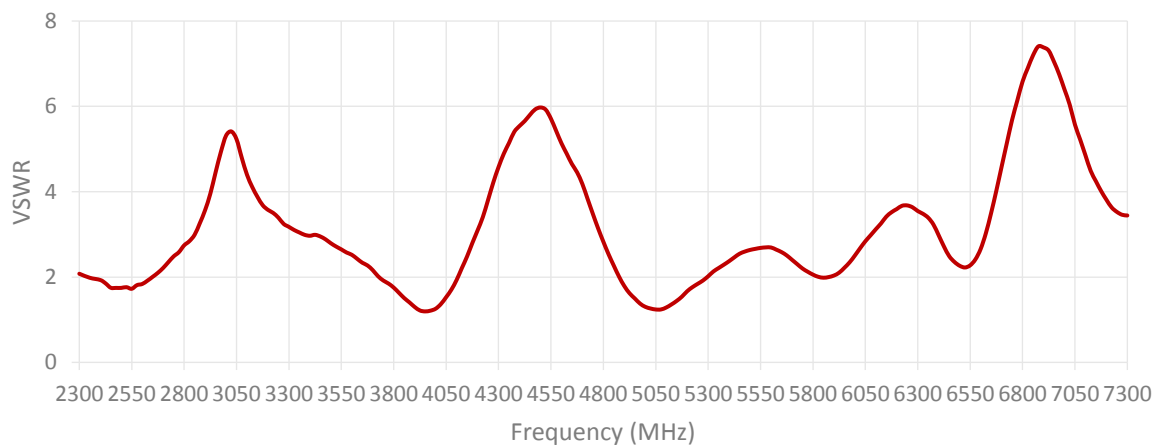
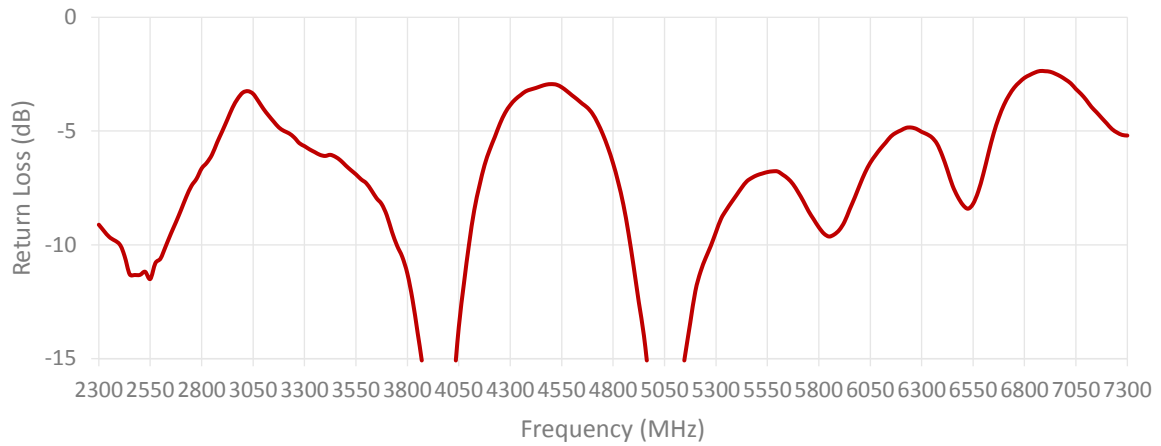
Free Space

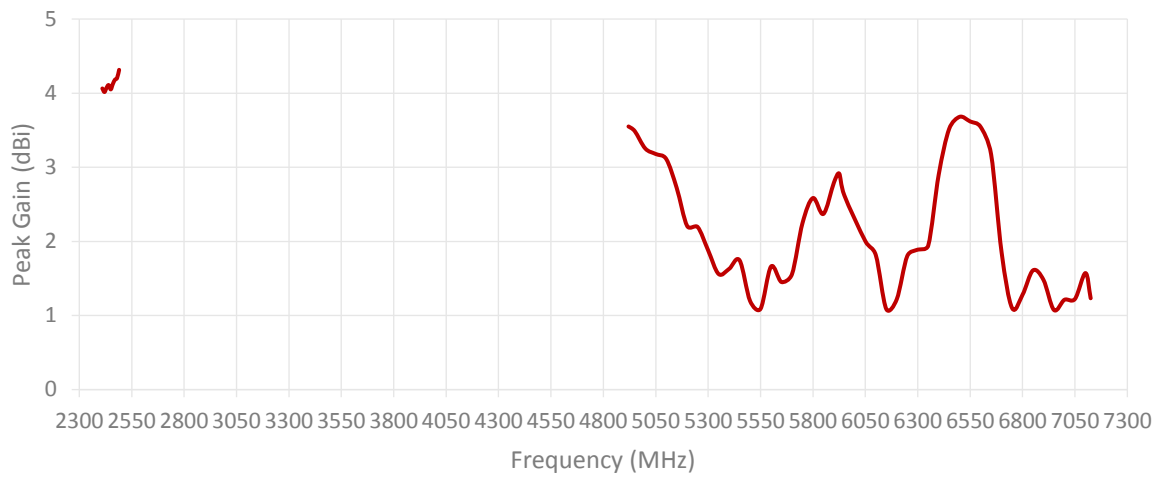
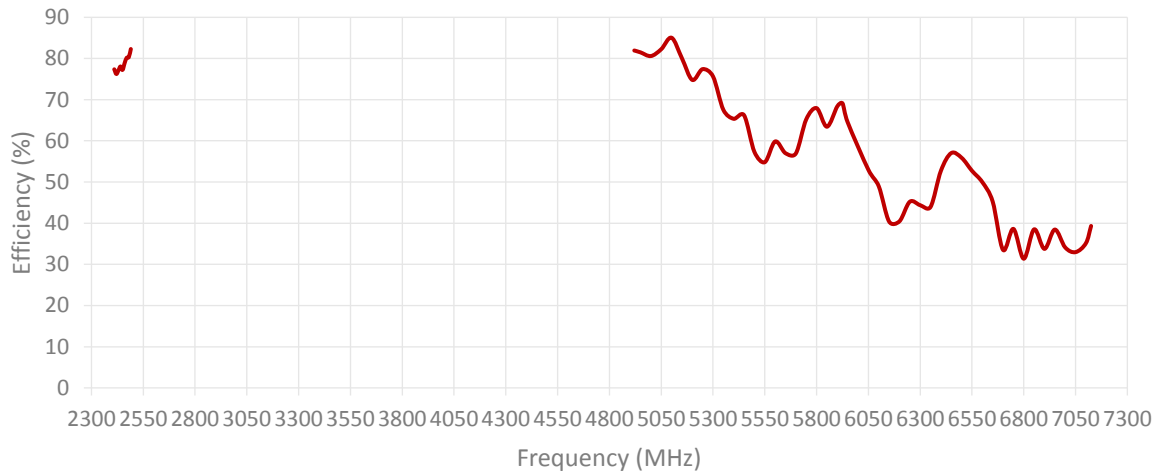
Measured in Certified CTIA 3D Anechoic Chamber

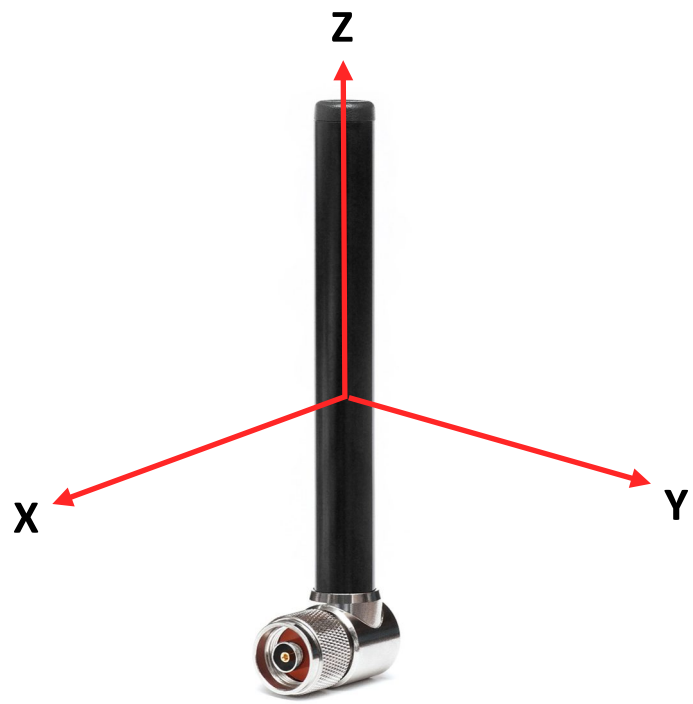
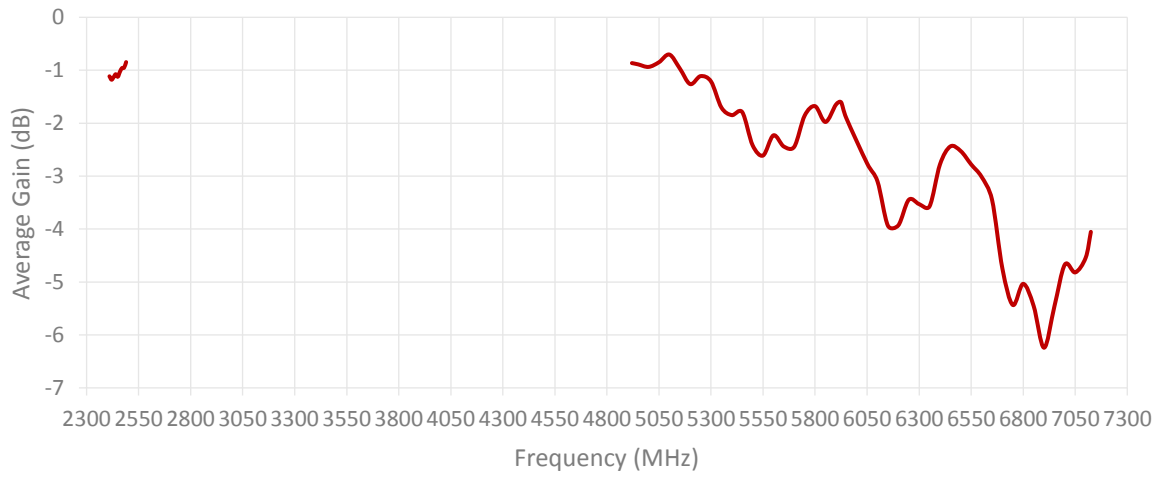
## 2. Mechanical and environmental specifications

Specifications	2J2202-C230N
<b>Mounting Type</b>	Connector Mount
<b>Dimensions (mm)</b>	153 × 40.5 × 22
<b>Radome</b>	ASA
<b>Radome color</b>	Black
<b>Operating Temperature (C)</b>	-40 to +85
<b>Storage Temperature (C)</b>	-40 to +85
<b>Substance Compliance</b>	RoHS

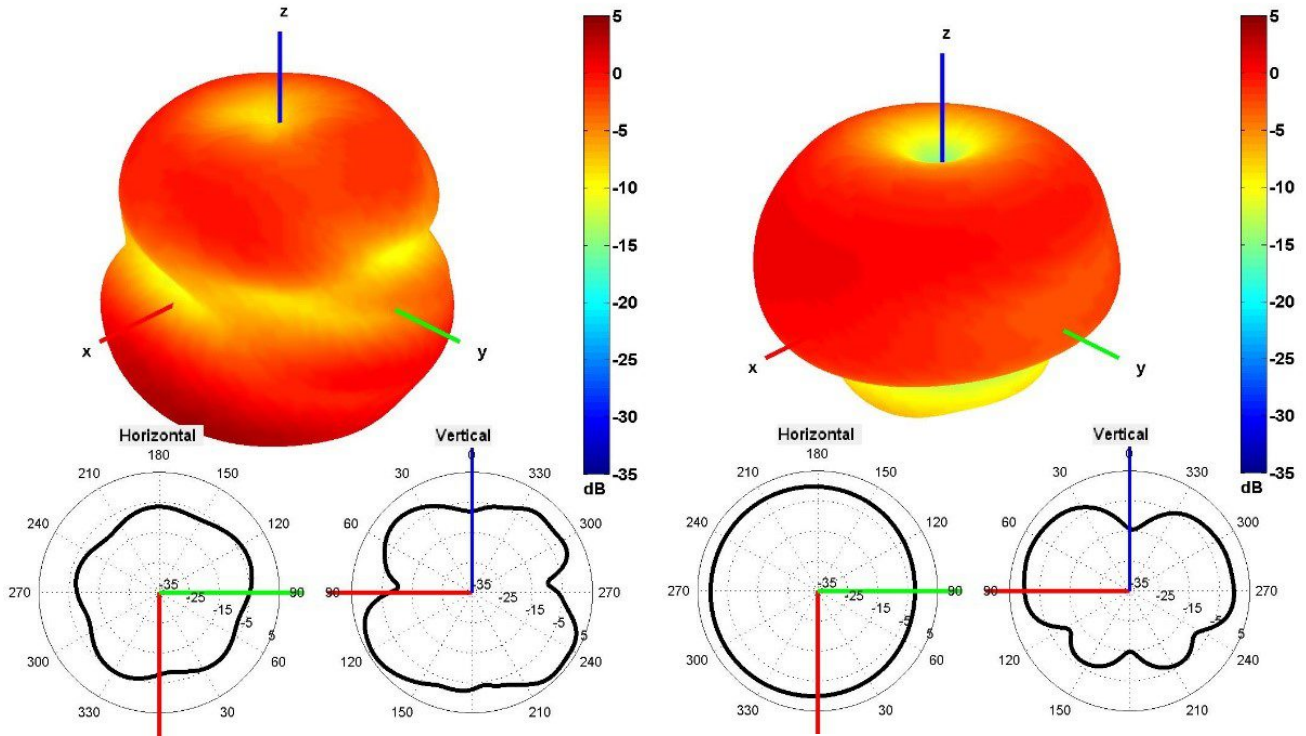
## 3. Antenna parameters



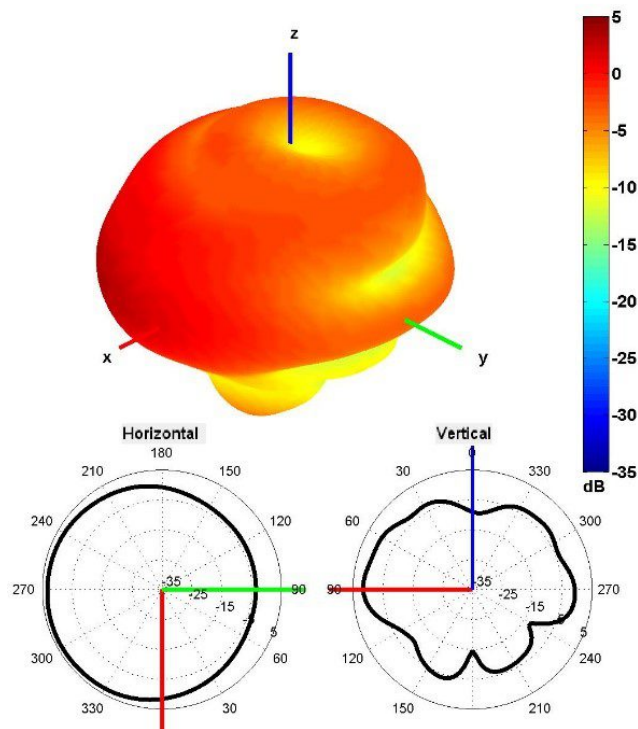




Radiation pattern reference

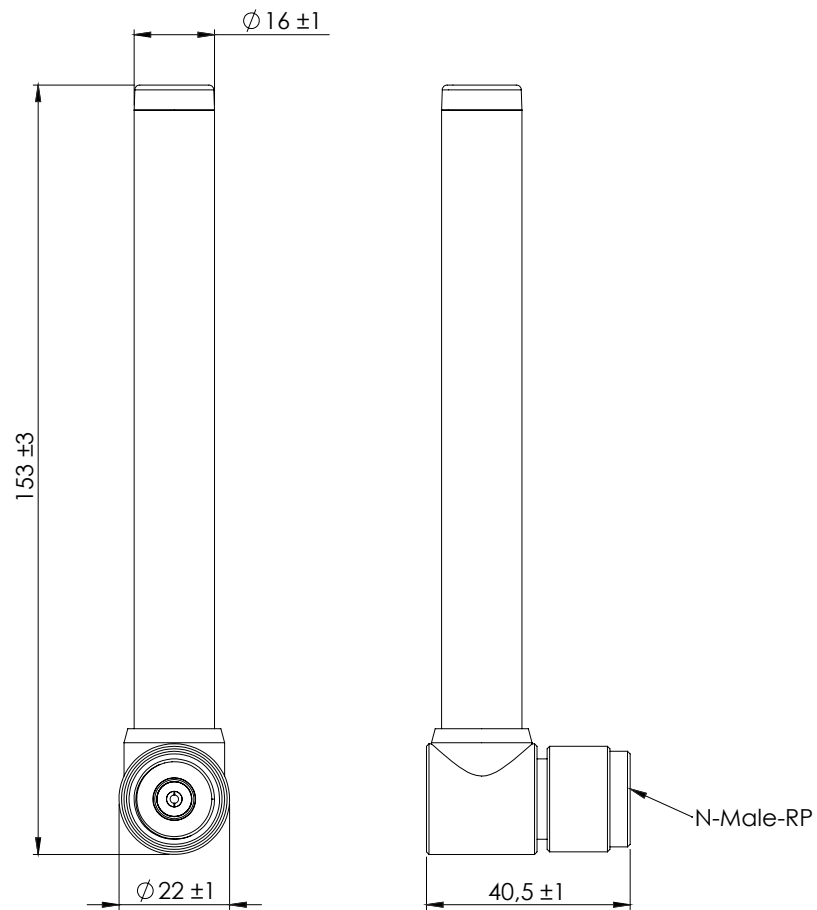


2450 and 5500 MHz Radiation pattern



6500 MHz Radiation pattern

## 4. Antenna drawings



## 5. Antenna Images

