

2JW1415

868 and 915 MHz ISM Connector Mount

Key Features

868/915 MHz ISM

- 863-870 MHz

- 902-928 MHz

Connector Mount

High Performance

Ground Plane Independent

Waterproof

Dimensions 192 × 20 × 18 mm

Certificates: IP67, IP69



1. Antenna and electrical specifications

Parameters	868/915 MHz ISM Antenna	
Standards	ZigBee, ISM, SIGFOX, LoRa	
Band (MHz)	868	915
Frequency (MHz)	863-870	902-928
Return Loss (dB)	~-8.5	~-12.1
VSWR	~2.2:1	~1.7:1
Efficiency (%)	~53.8	~50.1
Peak Gain (dBi)	~-2.1	~-2.0
Average Gain (dB)	~-2.7	~-3.1
Impedance (Ohm)	50	
Polarisation	Linear	
Radiation Pattern	Omni-Directional	
Max. Input Power (W)	25	
Connector Type	SMA-Male	

Antenna Measurement Conditions:

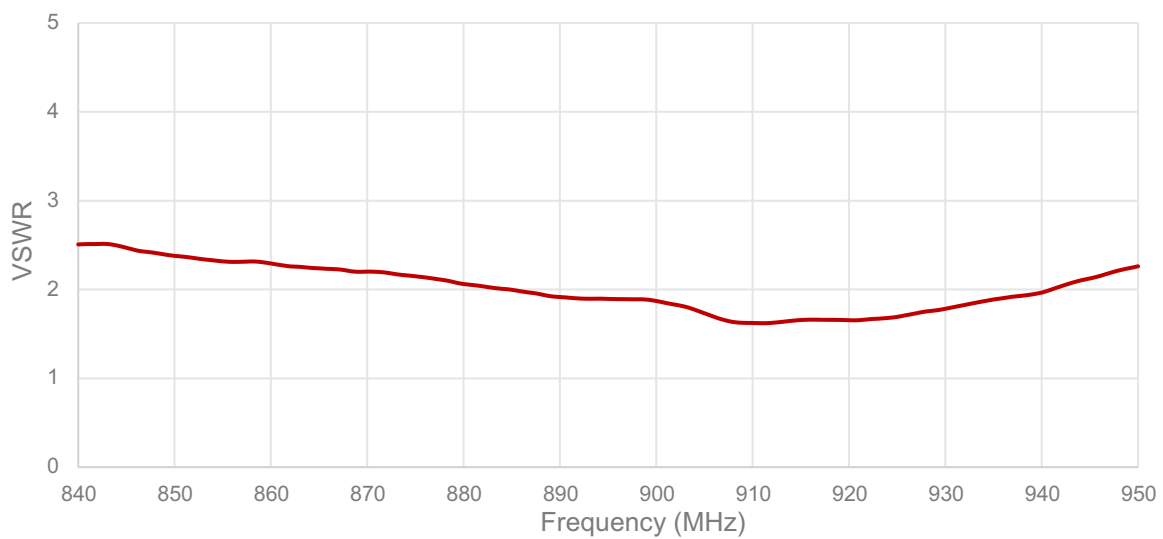
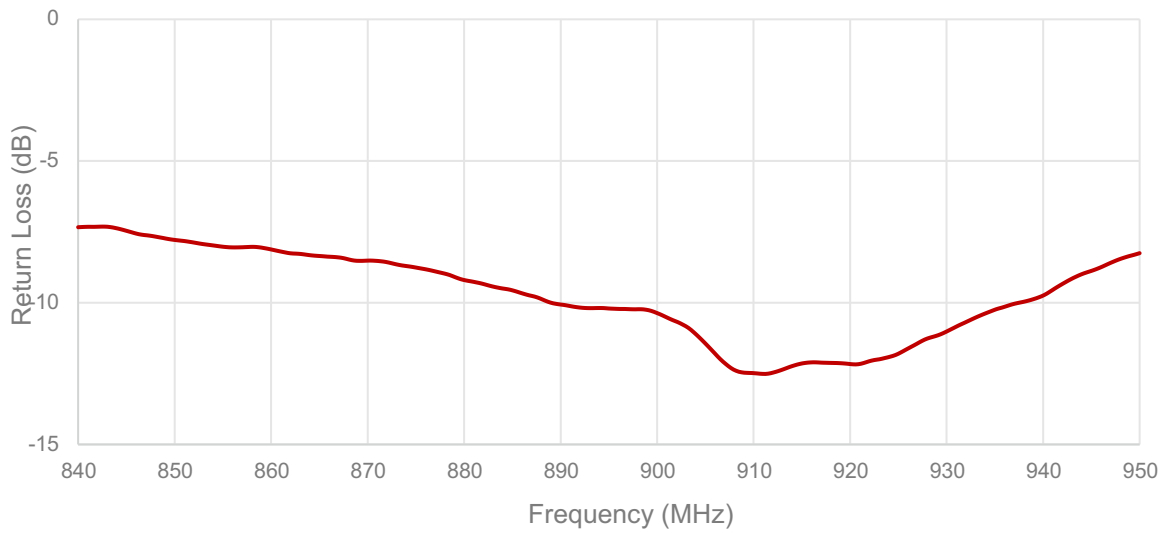
Free Space

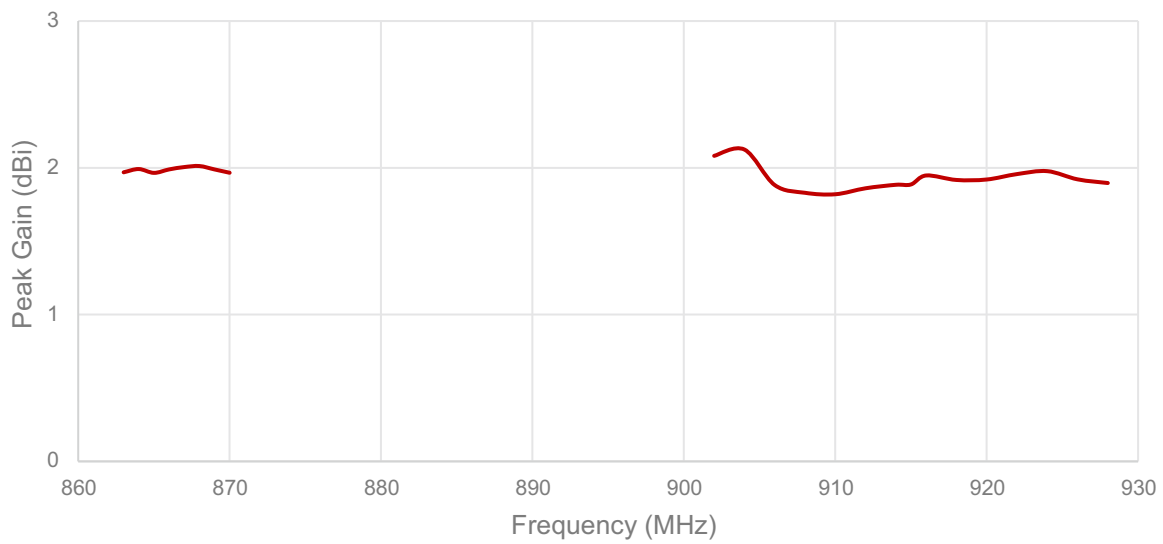
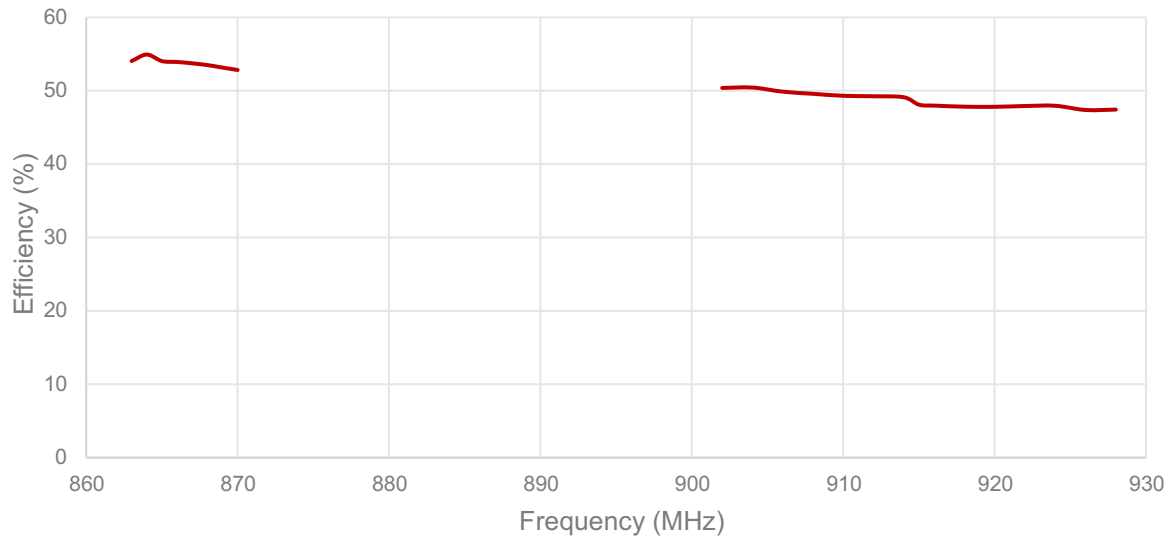
Measured in Certified CTIA 3D Anechoic Chamber

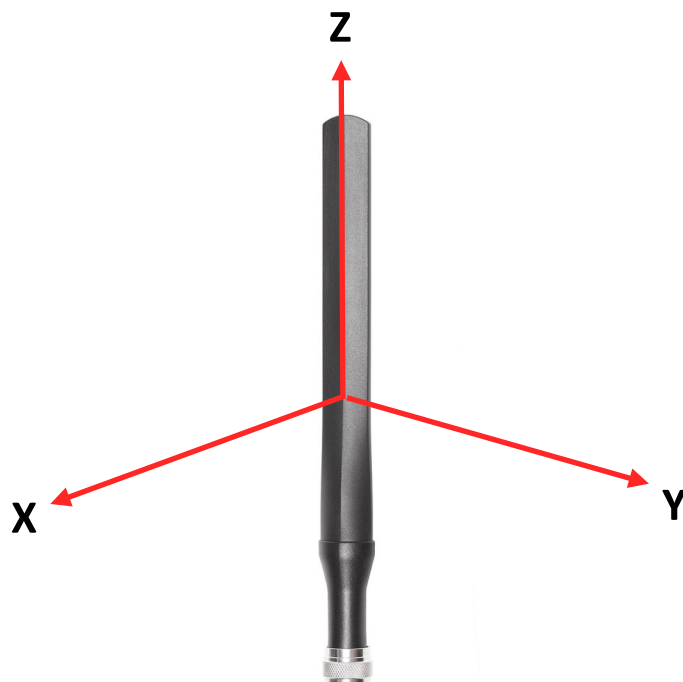
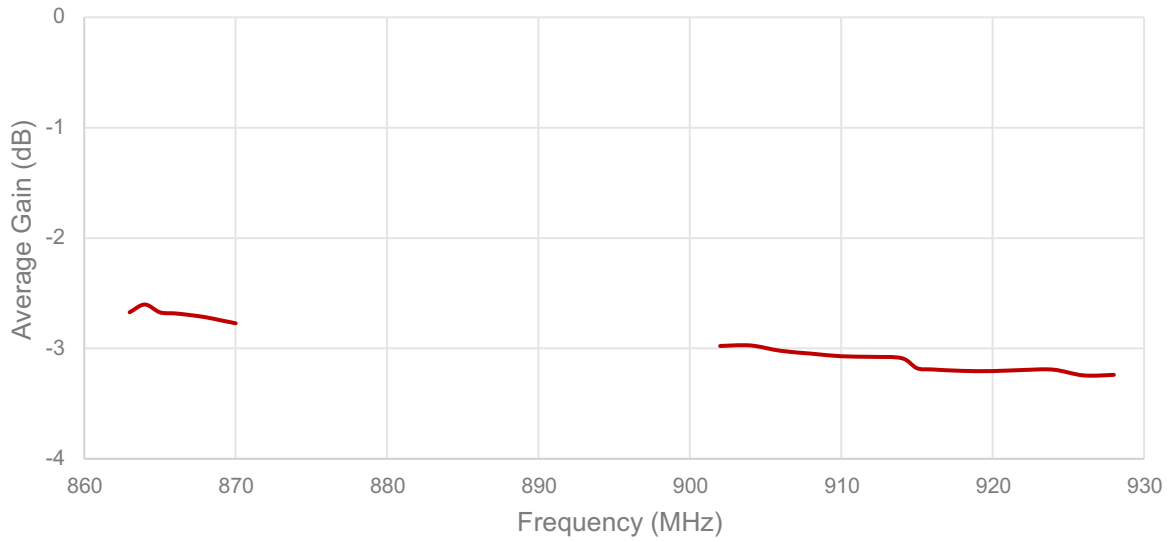
2. Mechanical and environmental specifications

Specifications	2JW1415
Mounting Type	Connector Mount
Dimensions (mm)	192 × 20 × 18
Radome	NYLON
Radome color	Black or White
Connector Feature	Waterproof
Operating Temperature (C)	-40 to +85
Storage Temperature (C)	-40 to +85
Substance Compliance	RoHS, REACH
Certificates	IP67, IP69

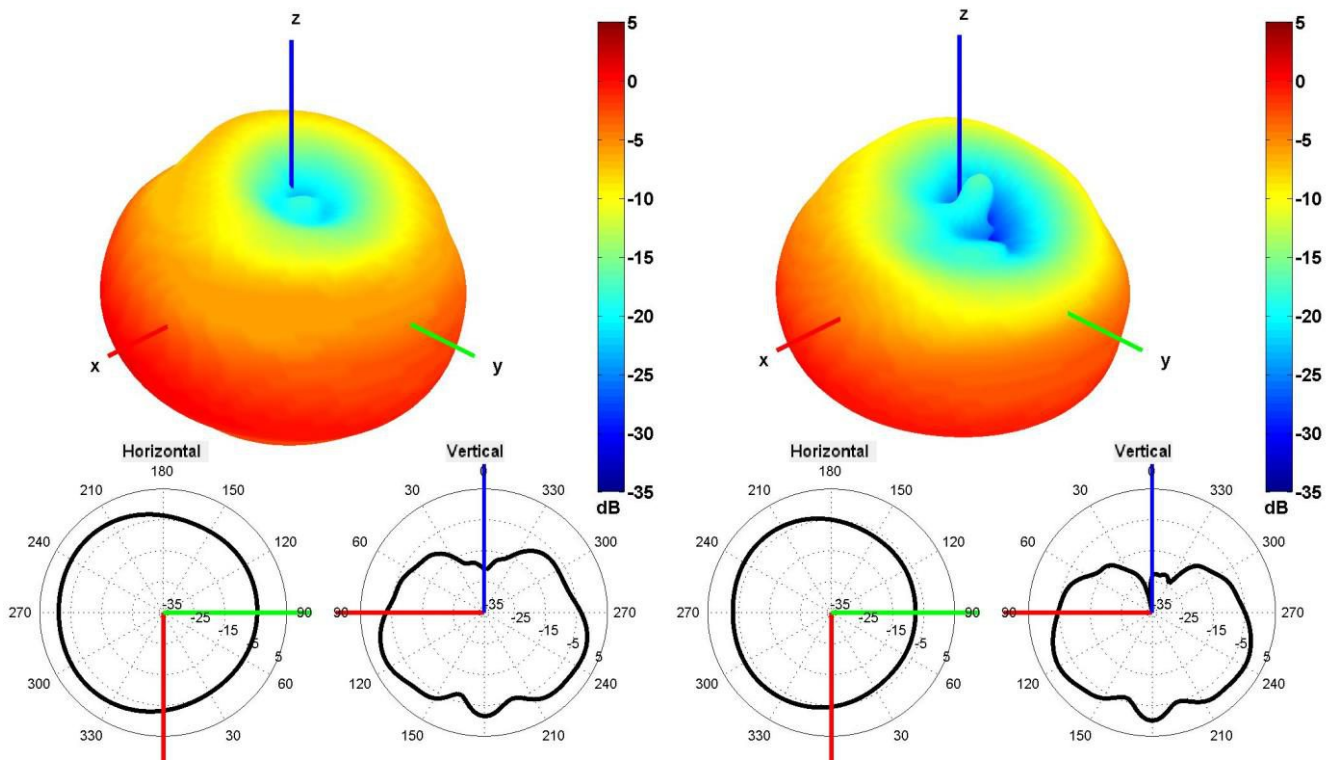
3. Antenna parameters





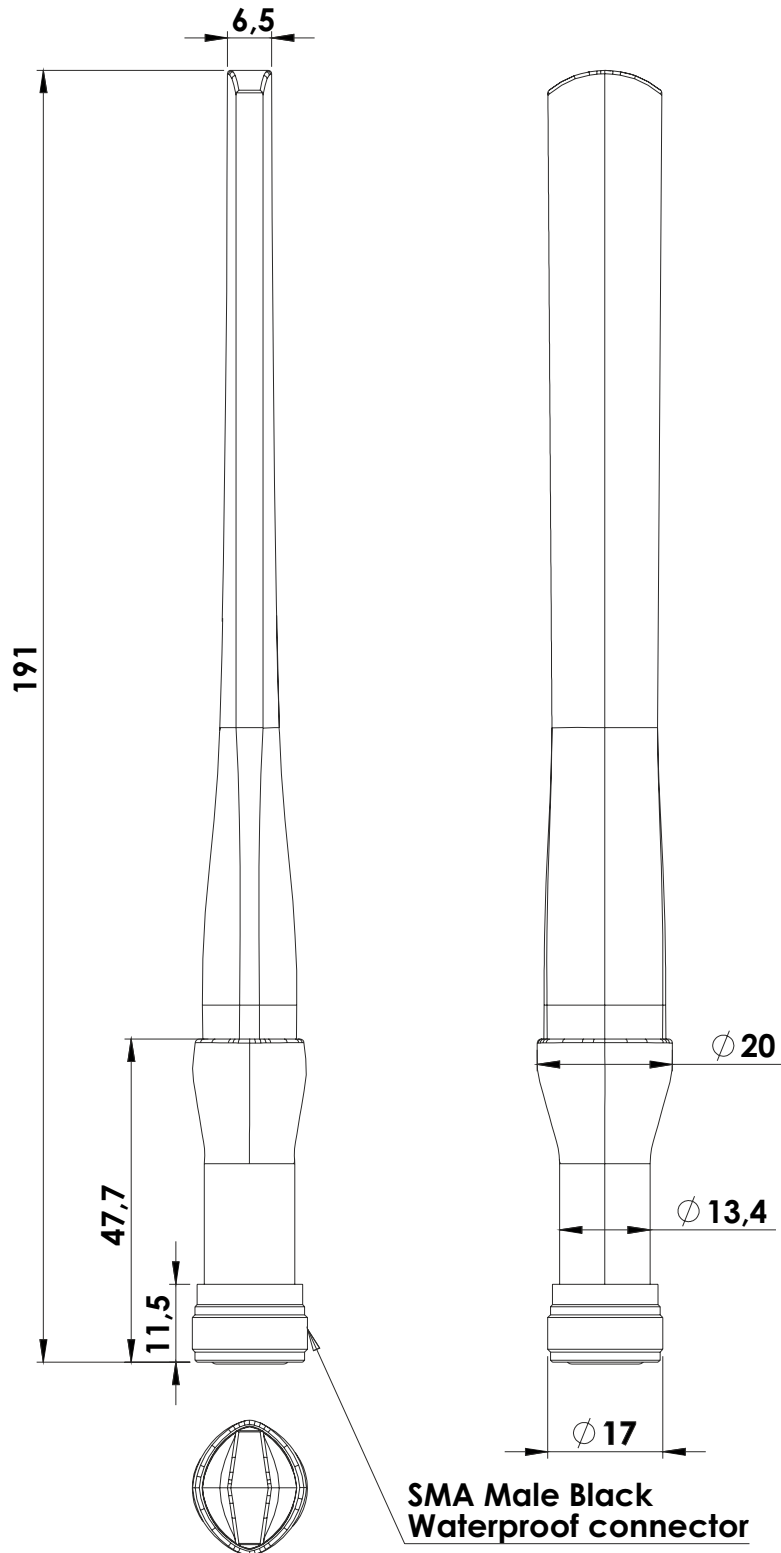


Radiation pattern reference



868 and 915 MHz Radiation pattern

4. Antenna drawings



5. Antenna Images

