

2JW1415

868 and 915 MHz ISM Connector Mount

Key Features

868/915 MHz ISM

- 863-870 MHz

- 902-928 MHz

Connector Mount

High Performance

Ground Plane Independent

Waterproof

Dimensions 192 × 20 × 18 mm

Certificates: IP67, IP69



1. Antenna and electrical specifications

| Parameters | 868/915 MHz ISM Antenna | |
|-----------------------------|---------------------------|---------|
| Standards | ZigBee, ISM, SIGFOX, LoRa | |
| Band (MHz) | 868 | 915 |
| Frequency (MHz) | 863-870 | 902-928 |
| Return Loss (dB) | ~-8.5 | ~-12.1 |
| VSWR | ~2.2:1 | ~1.7:1 |
| Efficiency (%) | ~53.8 | ~50.1 |
| Peak Gain (dBi) | ~2.1 | ~2.0 |
| Average Gain (dB) | ~-2.7 | ~-3.1 |
| Impedance (Ohm) | 50 | |
| Polarisation | Linear | |
| Radiation Pattern | Omni-Directional | |
| Max. Input Power (W) | 25 | |
| Connector Type | SMA-Male | |

Antenna Measurement Conditions:

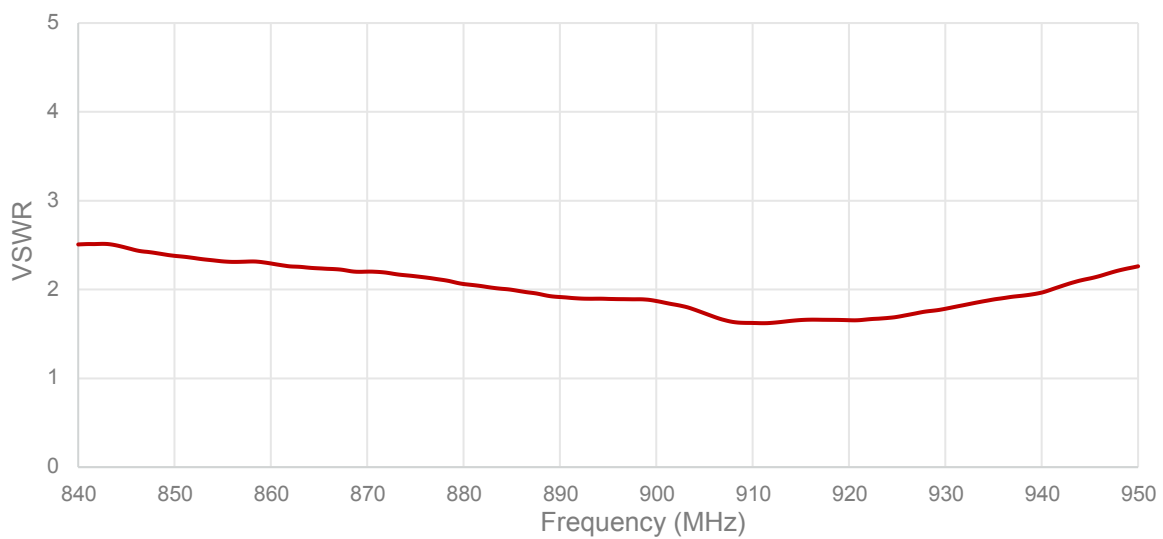
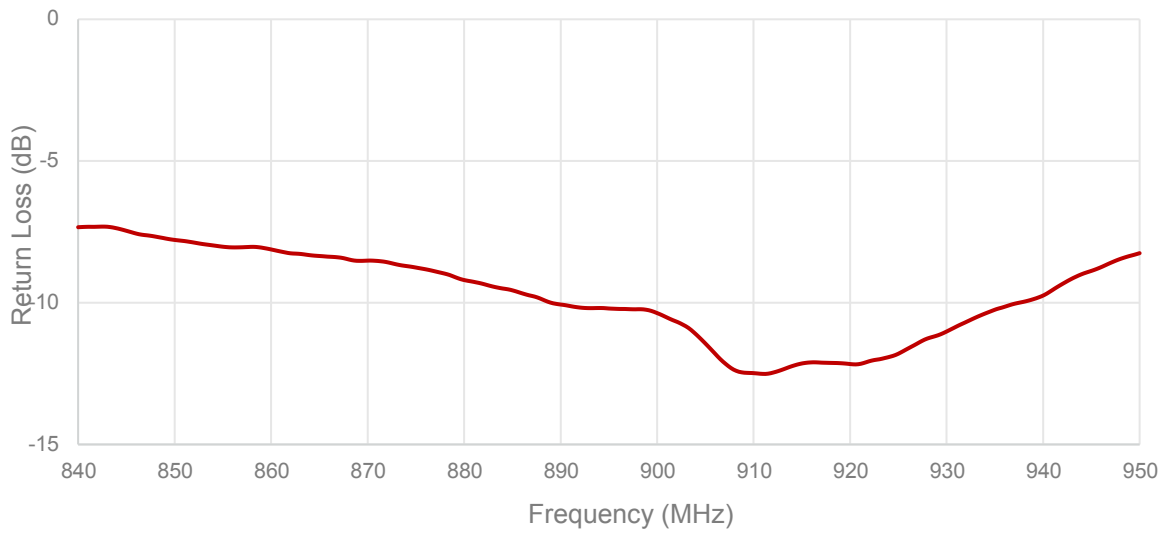
Free Space

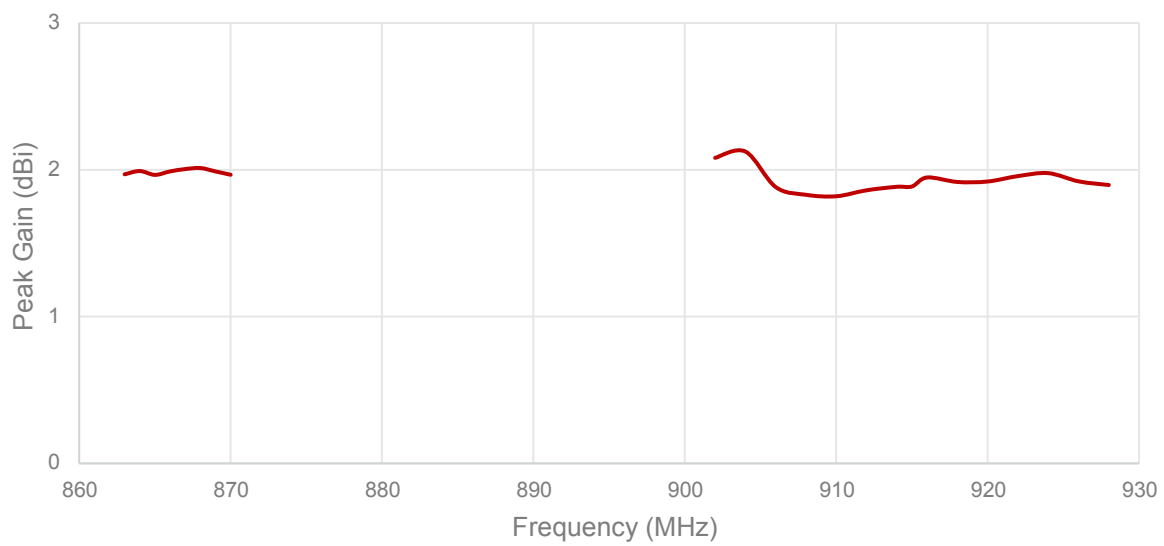
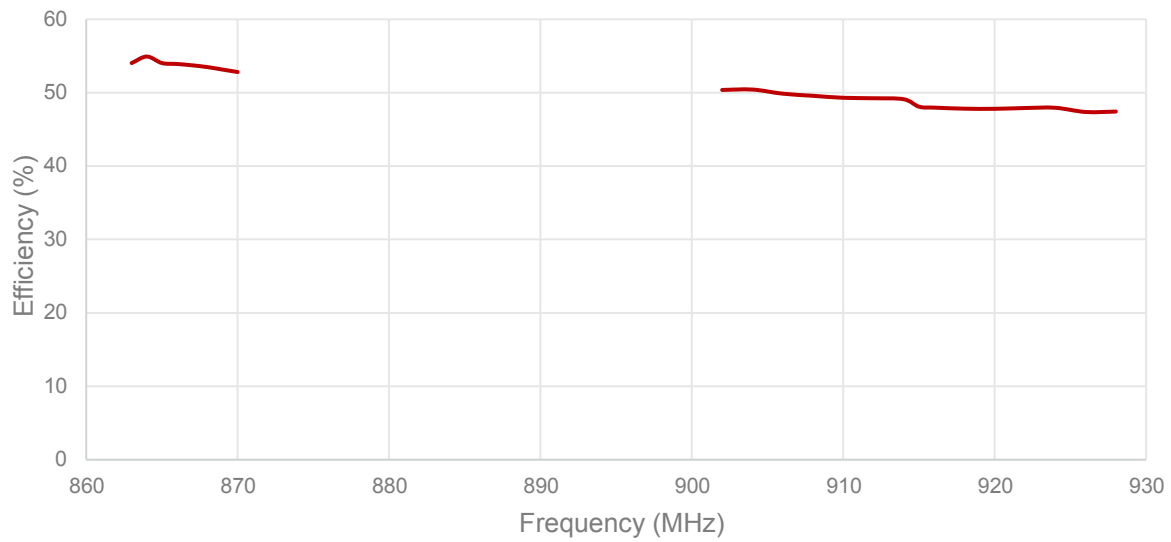
Measured in Certified CTIA 3D Anechoic Chamber

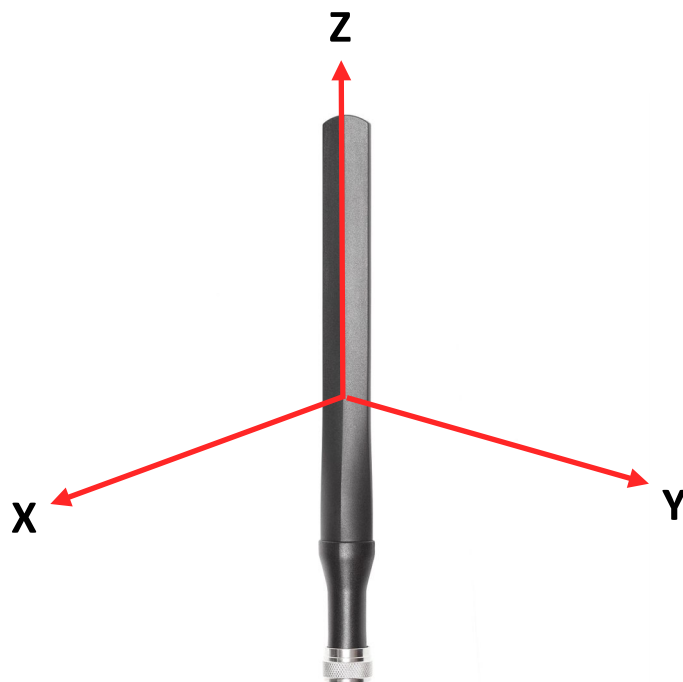
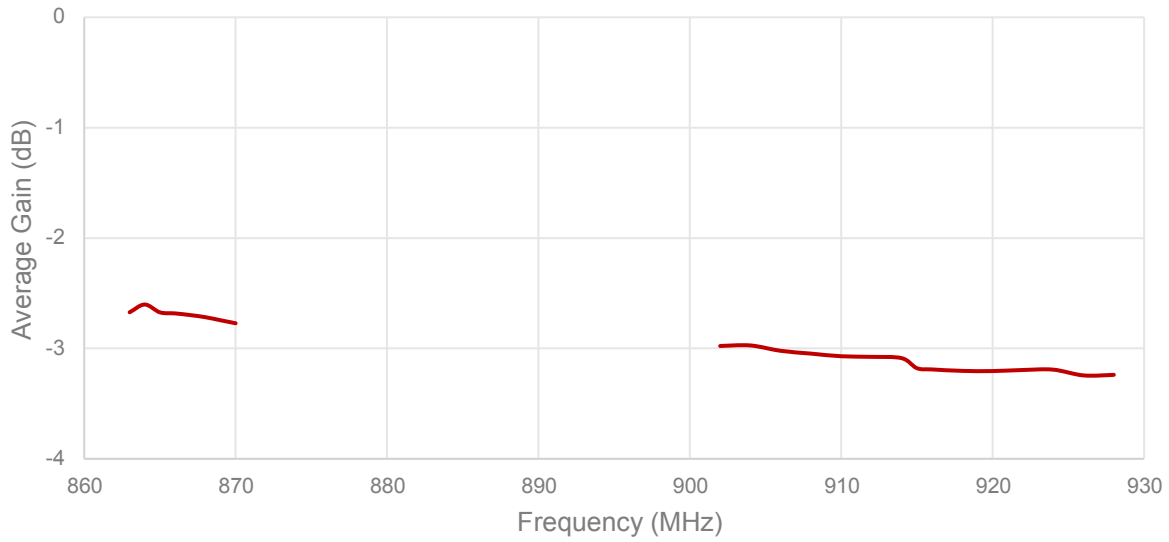
2. Mechanical and environmental specifications

| Specifications | 2JW1415 |
|----------------------------------|------------------|
| Mounting Type | Connector Mount |
| Dimensions (mm) | 192 × 20 × 18 |
| Radome | PC/ABS UV Stable |
| Radome color | Black or White |
| Connector Feature | Waterproof |
| Operating Temperature (C) | -40 to +85 |
| Storage Temperature (C) | -40 to +85 |
| Substance Compliance | RoHS, REACH |
| Certificates | IP67, IP69 |

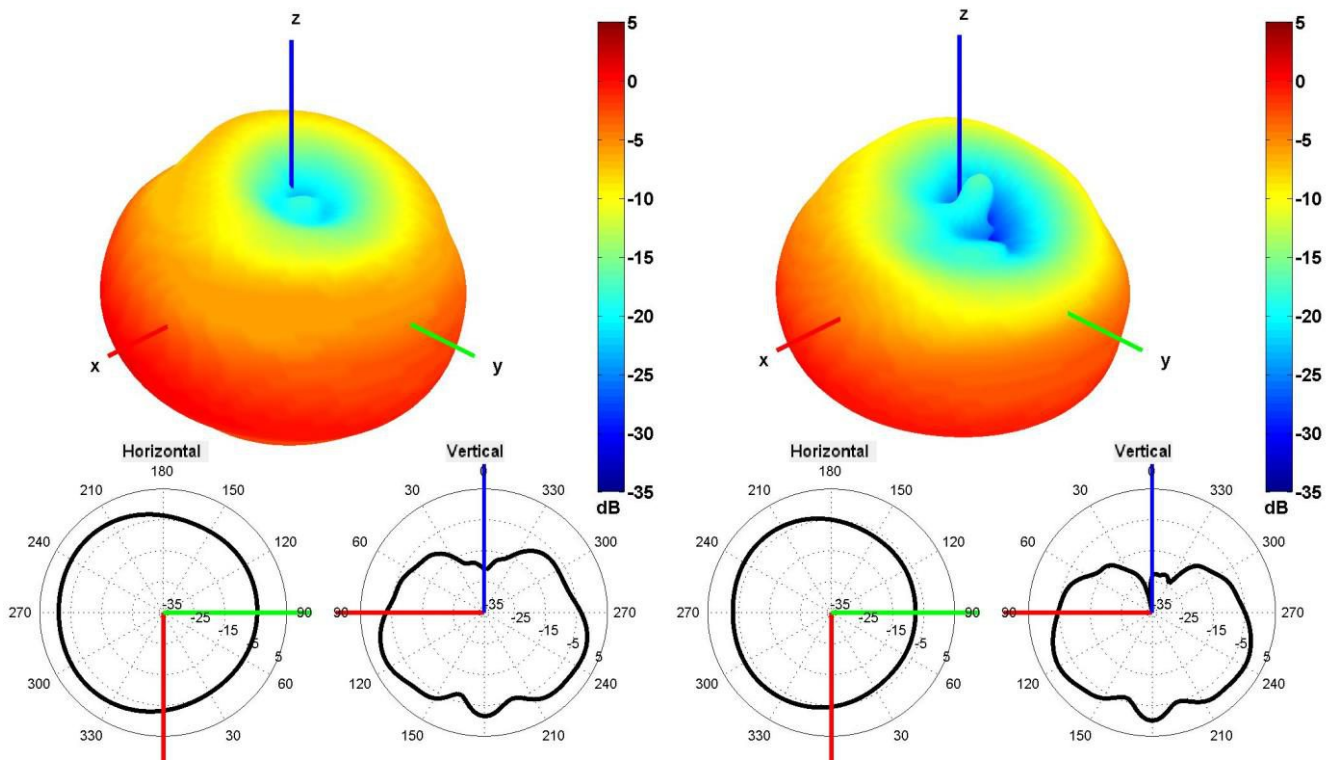
3. Antenna parameters





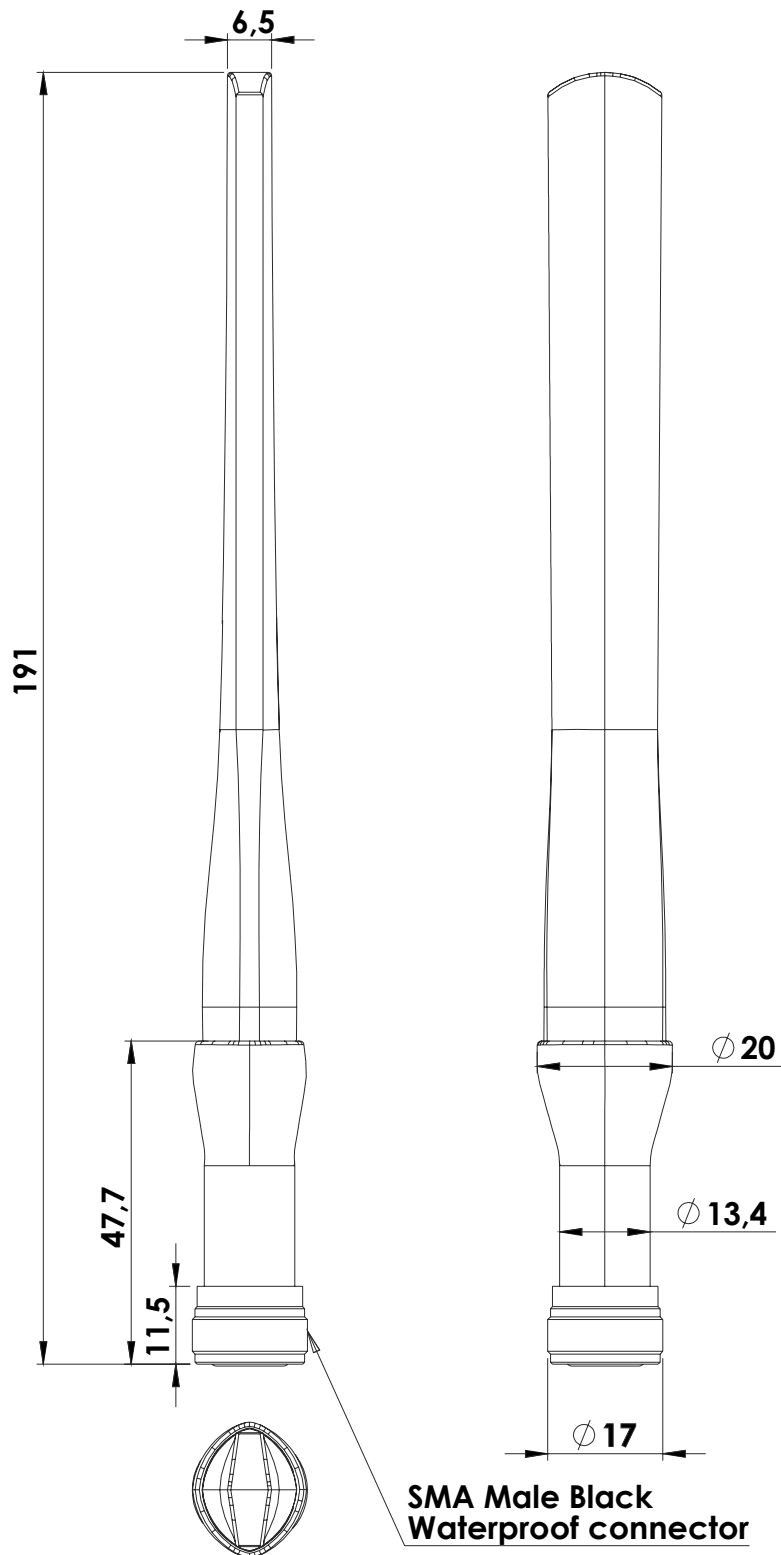


Radiation pattern reference



868 and 915 MHz Radiation pattern

4. Antenna drawings



5. Antenna Images

