

## 2JW1126-C952B

IRIDIUM Connector Mount Antenna

### Key Features

#### IRIDIUM

- 1616-1627 MHz
- Connector Mount
- High Performance
- Hinged Connector
- Ground Plane Independent
- Dimensions 135 × 19 × 10 mm



## 1. Antenna and electrical specifications

Cable 1	
Parameters	Iridium Antenna
<b>Standards</b>	Iridium
<b>Band (MHz)</b>	1621
<b>Frequency (MHz)</b>	1616-1627
<b>Return Loss (dB)</b>	~-14.8
<b>VSWR</b>	~1.4:1
<b>Efficiency (%)</b>	~85.5
<b>Peak Gain (dBic)</b>	~2.5
<b>Average Gain (dB)</b>	~-0.7
<b>Impedance</b>	50
<b>Radiation Pattern</b>	Omni-Directional
<b>Polarization</b>	Linear
<b>Max Input Power (W)</b>	25
<b>Connector Type</b>	SMA-Male-Black (Other Connectors Available)

### Antenna Measurement Conditions:

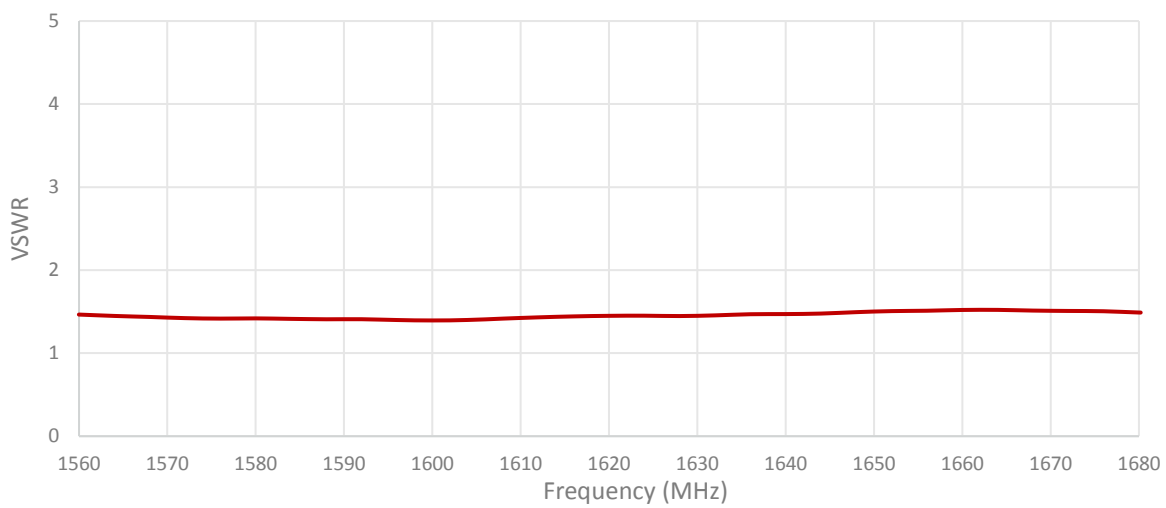
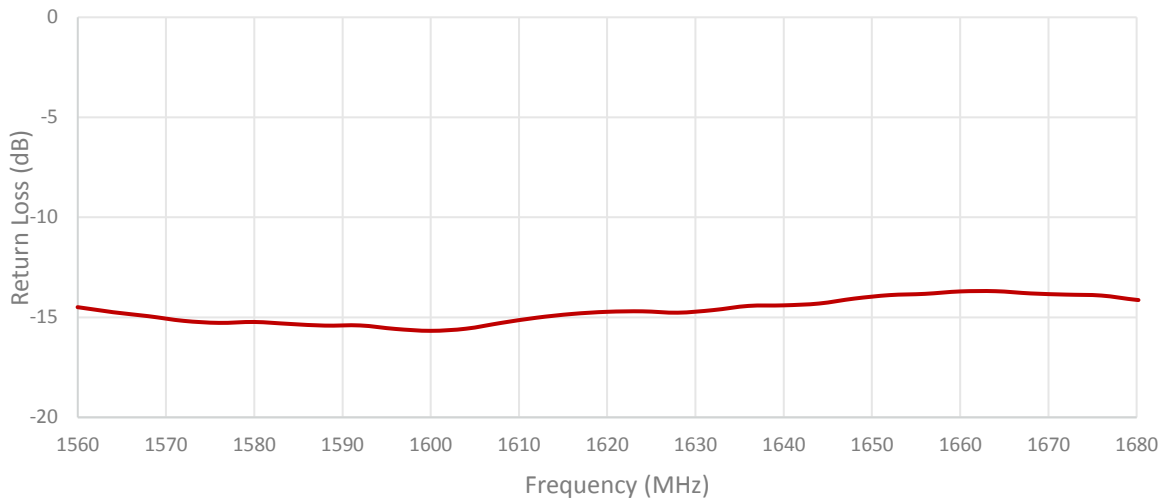
Free Space

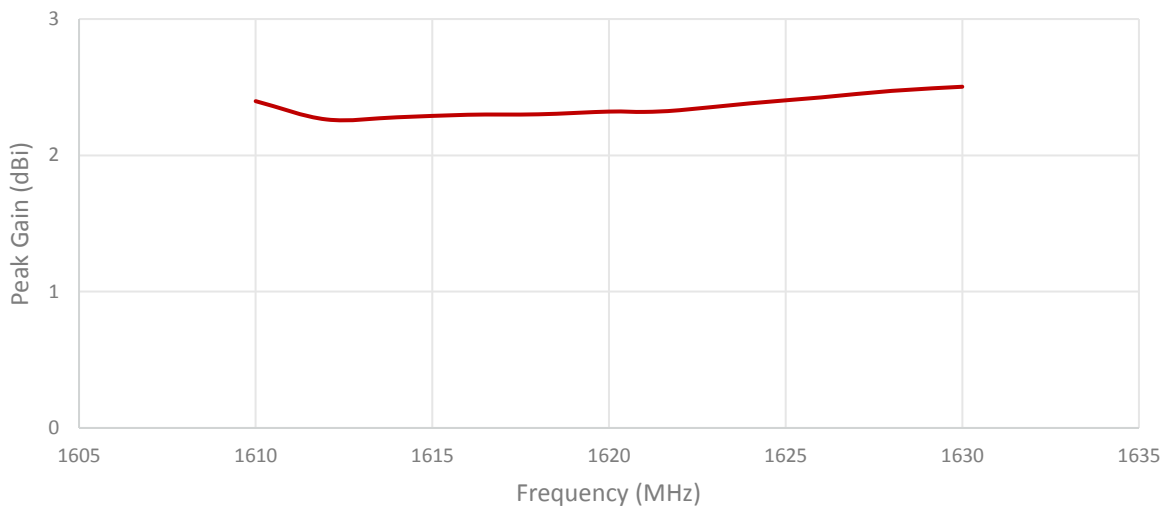
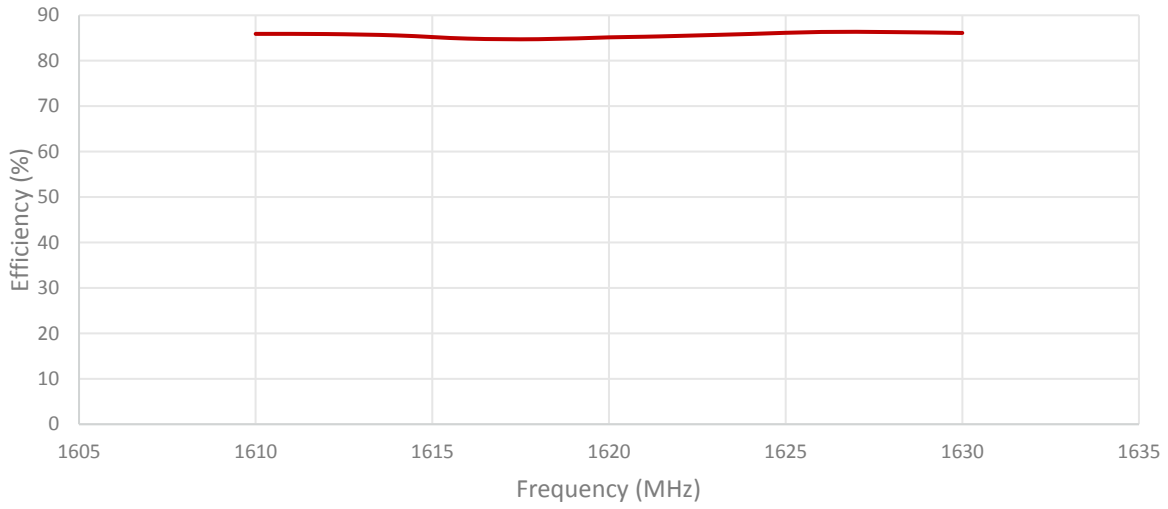
Measured in Certified CTIA 3D Anechoic Chamber

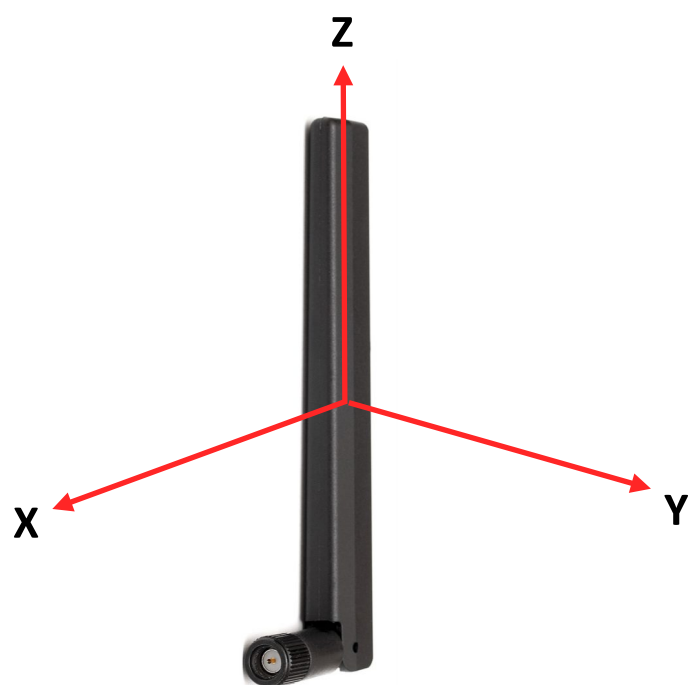
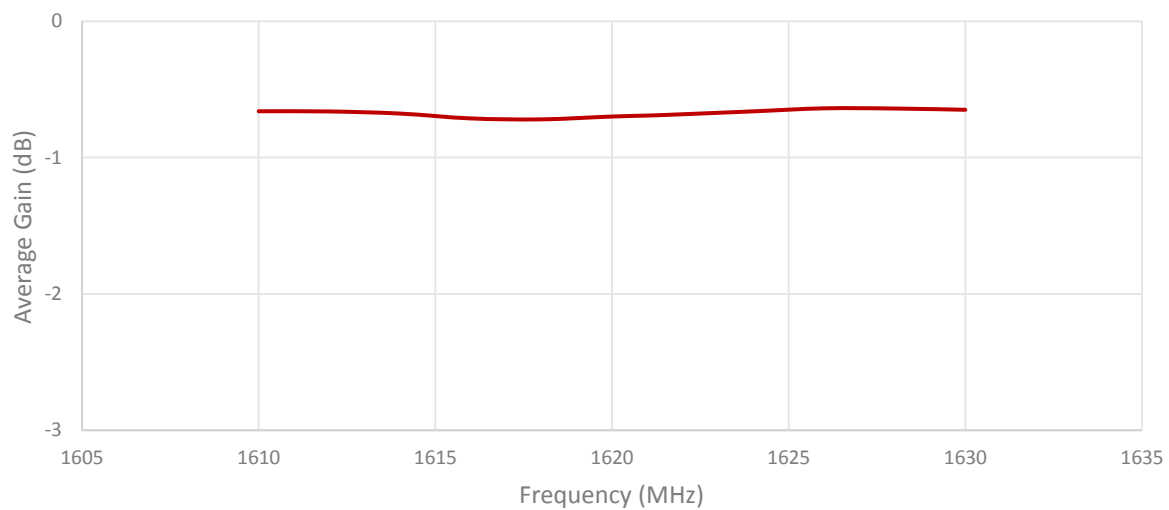
## 2. Mechanical and environmental specifications

Specifications	2JW1126-C952B
<b>Mounting Type</b>	Connector Mount
<b>Dimensions (mm)</b>	135 × 19 × 10
<b>Radome</b>	ASA
<b>Radome color</b>	Black
<b>Connector Feature</b>	Hinged
<b>Operating Temperature (C)</b>	-40 to +85
<b>Storage Temperature (C)</b>	-40 to +85
<b>Substance Compliance</b>	RoHS

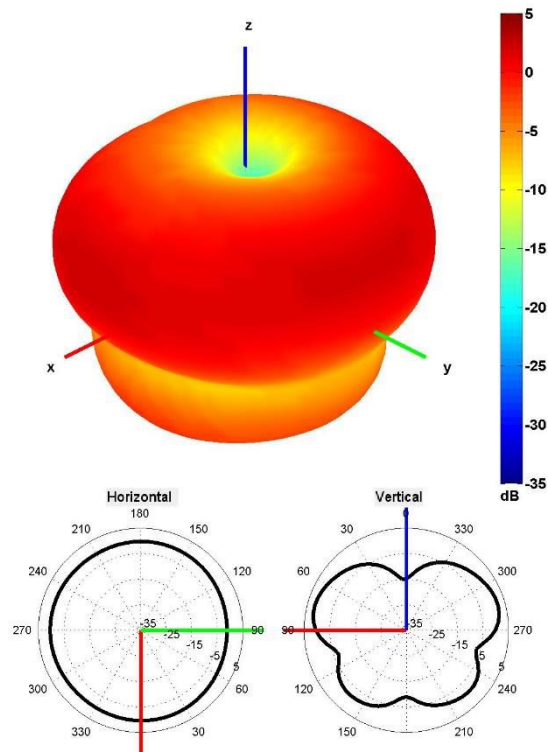
### 3. Antenna parameters







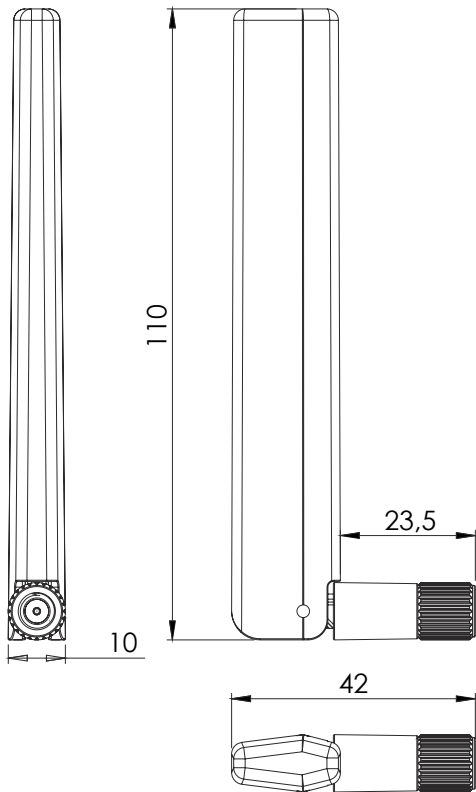
Radiation pattern reference



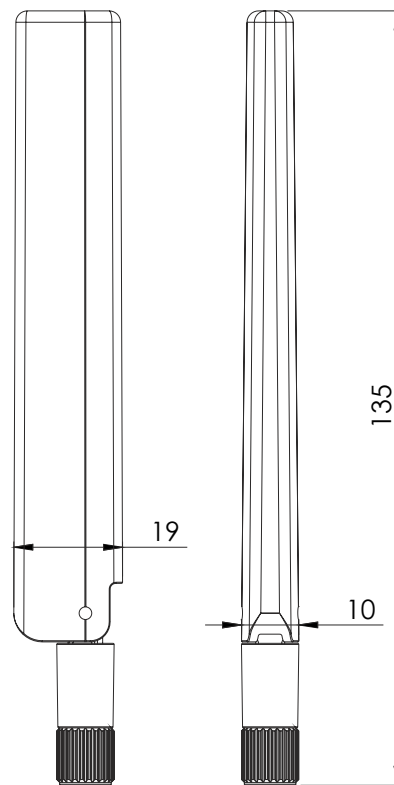
1621 MHz Radiation pattern

## 4. Antenna drawings

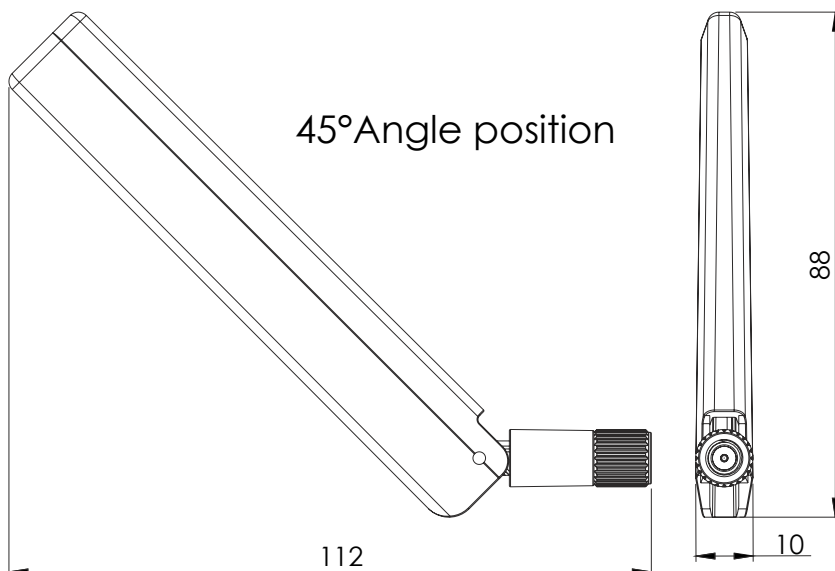
Right Angle position



Straight position



45° Angle position



## 5. Antenna Images

