

2JM0701CF

GNSS Ceramic Active Antenna

Key Features

GPS/GLONASS/BeiDou/QZSS/Galileo

- 1561-1606 MHz

Embedded Antenna

28 dB Gain

Pre-Filter

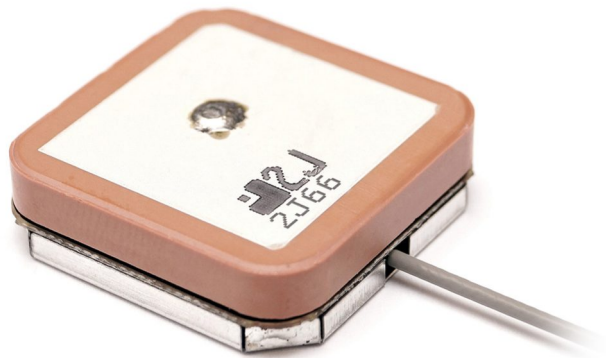
Low Noise Figure

Low Power Consumption

Ground Plane Independent

Dimensions 25 × 25 × 7.6 mm

Customizable Cable and Connector



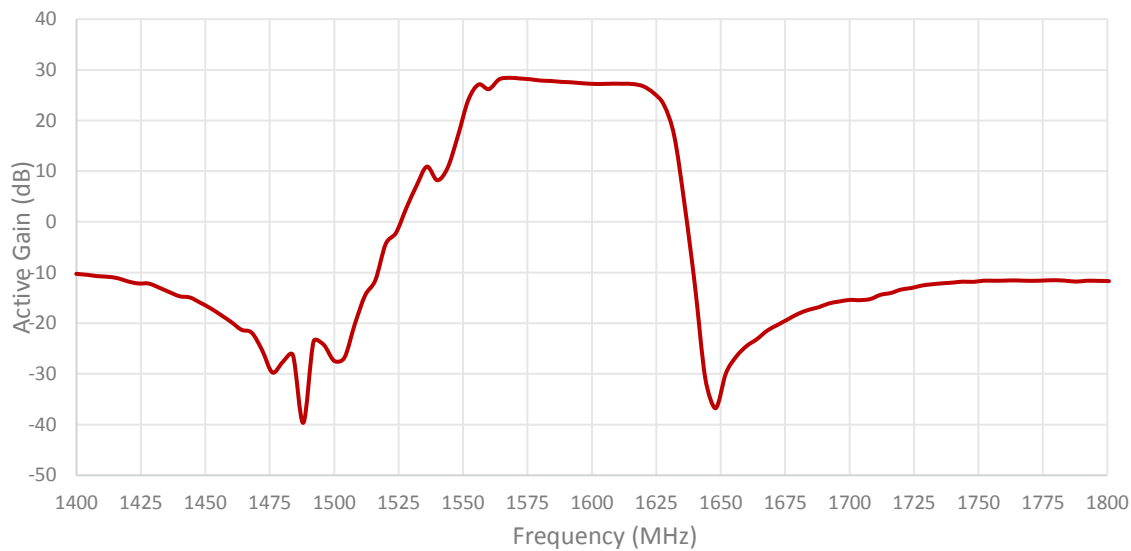
1. Antenna and electrical specifications

Parameters	GNSS Ceramic Active Antenna		
	BeiDou	GPS/QZSS/Galileo	GLONASS
Standards	BeiDou	GPS/QZSS/Galileo	GLONASS
Bands (MHz)	1561	1575	1602
Frequency (MHz)	1561.098	1575.42	1598-1606
Passive Gain (dBi)	~4.2	~4.5	~5.0
Impedance (Ohms)	50		
Radiation Pattern	Hemispherical		
Voltage Range (V)	1.5 - 3.6		
Active Gain (dB)	28 @ 2.7 V		
Noise Figure (dB)	1.8 @ 2.7 V		
Current Consumption (mA)	9 @ 2.7 V		
Power Consumption (mW)	24.3 @ 2.7 V		
Saw Filter Type	Pre-Filter		
Out of Band Rejection (dB)	~43		
ESD Protection (kV)	6		
Connector Type	U.FL Standard (Other Connectors Available)		
Cable Length	100 mm Standard (Any Cable Length Available)		
Cable Type	1.37 mm Mini-Coax Standard (Other Cables Available)		

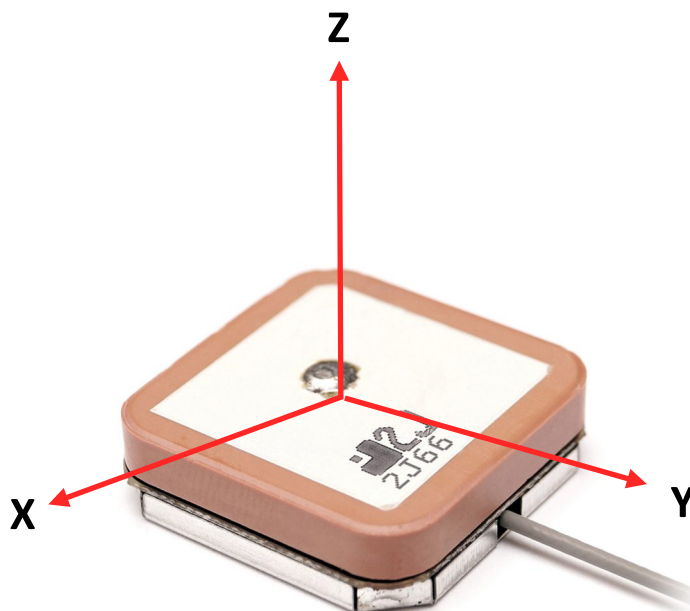
2. Mechanical and environmental specifications

Specifications	2JM0701CF
Dimensions (mm)	25 × 25 × 7.6
Operating Temperature (C)	-40 to +85
Storage Temperature (C)	-40 to +85
Substance Compliance	RoHS

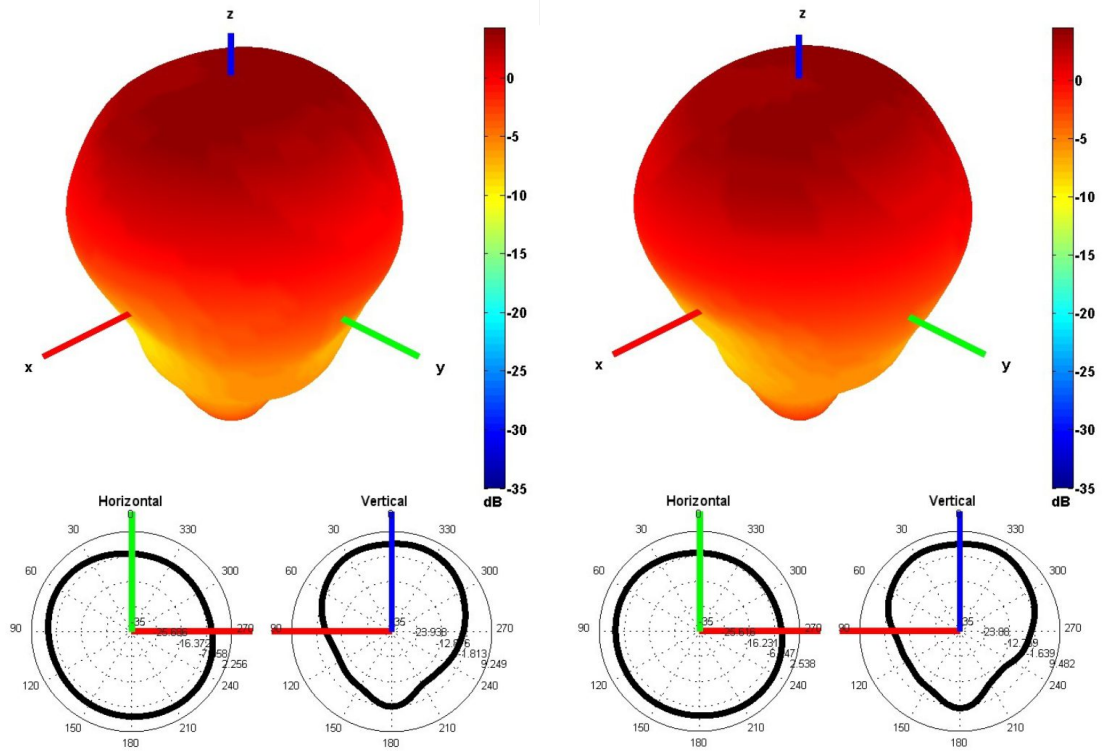
3. Antenna parameters



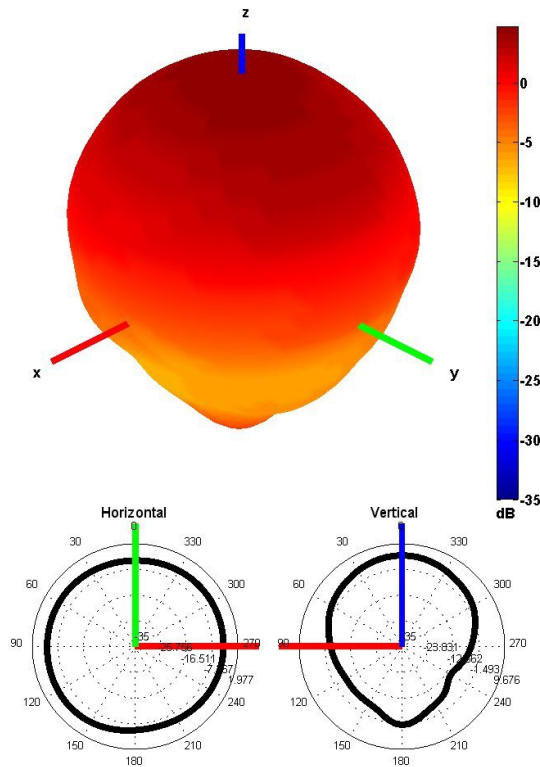
* Measured at 3 V



Radiation pattern reference

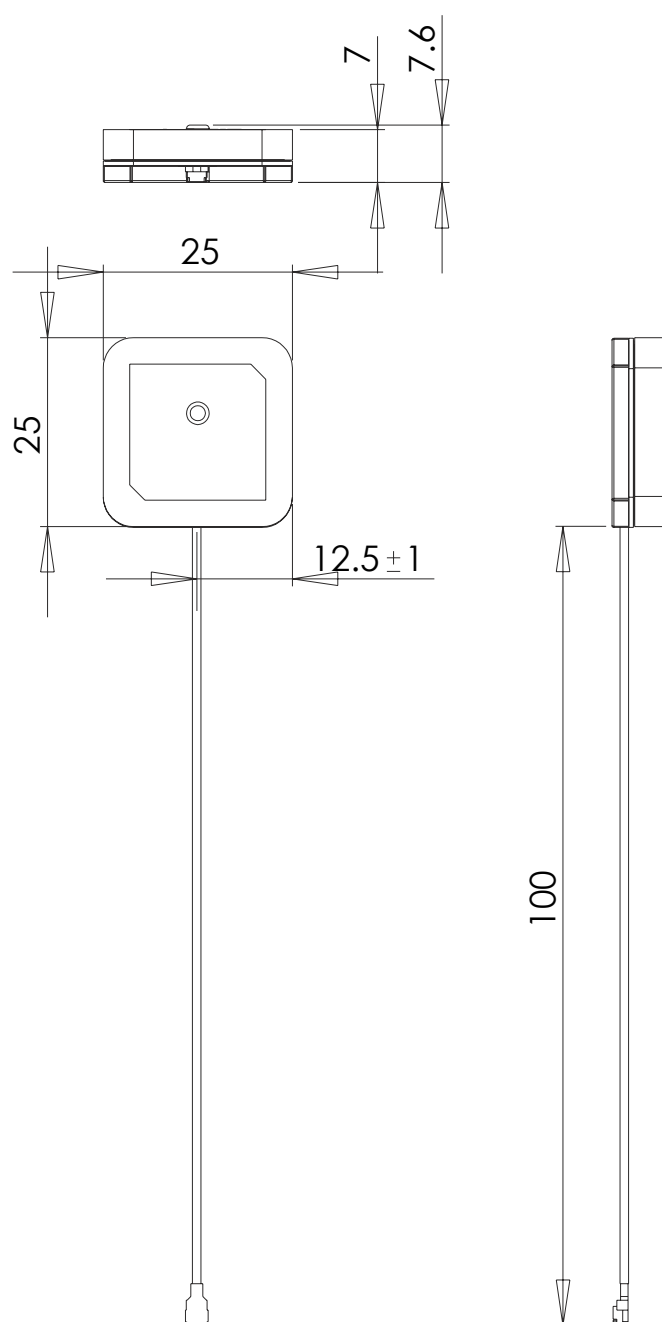


1561 and 1575 MHz Radiation pattern



1602 MHz Radiation pattern

4. Antenna drawings



5. Antenna Images

