

# 2JE28a

## CELLULAR / LTE Surface Mount

### Key Features

#### CELLULAR / LTE

- 698-960 MHz
- 1710-2170 MHz
- 2500-2700 MHz

Surface Mount

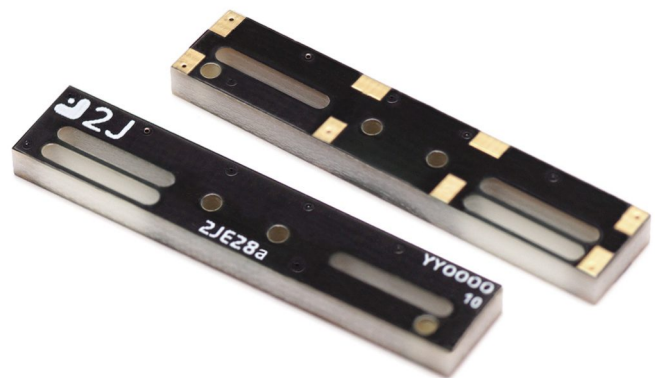
Right Feed

High Performance

Fiberglass Material

Ground Plane Dependent

Dimensions 40 × 8 × 3 mm



## 1. Antenna and electrical specifications

Parameters	CELLULAR / LTE Antenna		
<b>Standards</b>	2G,3G and 4G		
<b>Band (MHz)</b>	700/850/900	1700/1800/1900/2100	2600
<b>Frequency (MHz)</b>	698-960	1710-2170	2500-2700
<b>Return Loss (dB)</b>	~-8.3	~-11.1	~-14.5
<b>VSWR</b>	~2.5:1	~1.8:1	~1.5:1
<b>Efficiency (%)</b>	~58.2	~70.1	~65.7
<b>Peak Gain (dBi)</b>	~2.6	~3.6	~3.8
<b>Average Gain (dB)</b>	~-2.6	~-1.8	~-2.2
<b>Impedance (Ohm)</b>	50		
<b>Polarisation</b>	Linear		
<b>Radiation Pattern</b>	Omni-Directional		
<b>Max. Input Power (W)</b>	25		

### Antenna Measurement Conditions:

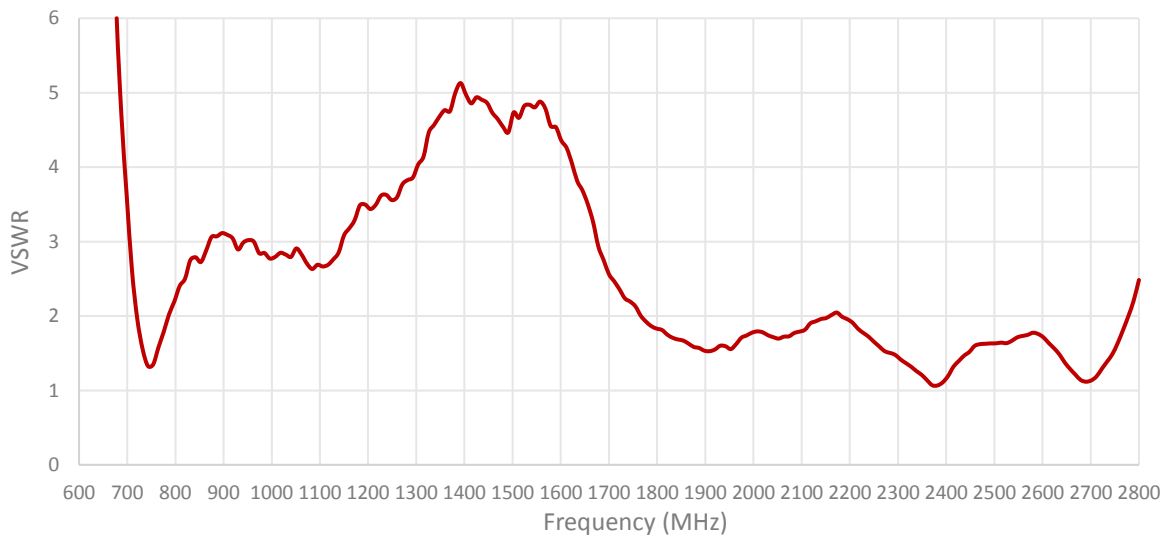
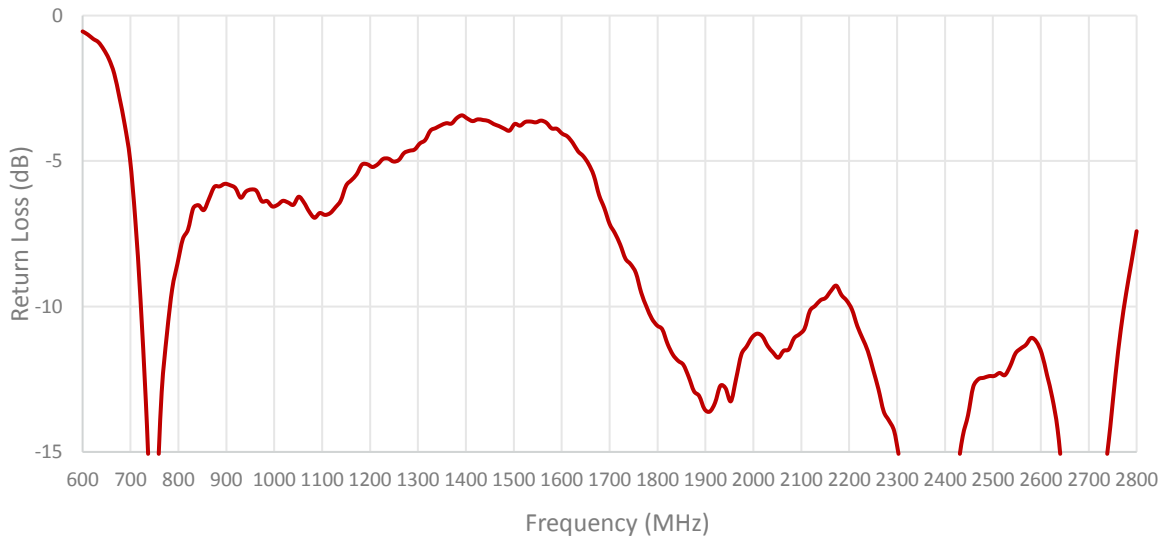
Mounted on ground plane of 110 x 40 mm

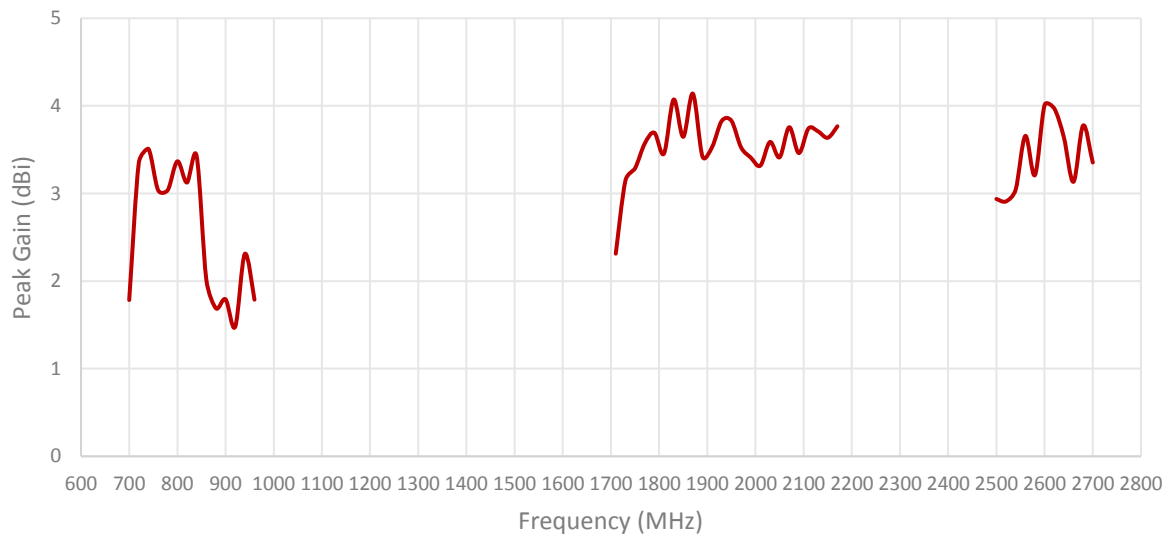
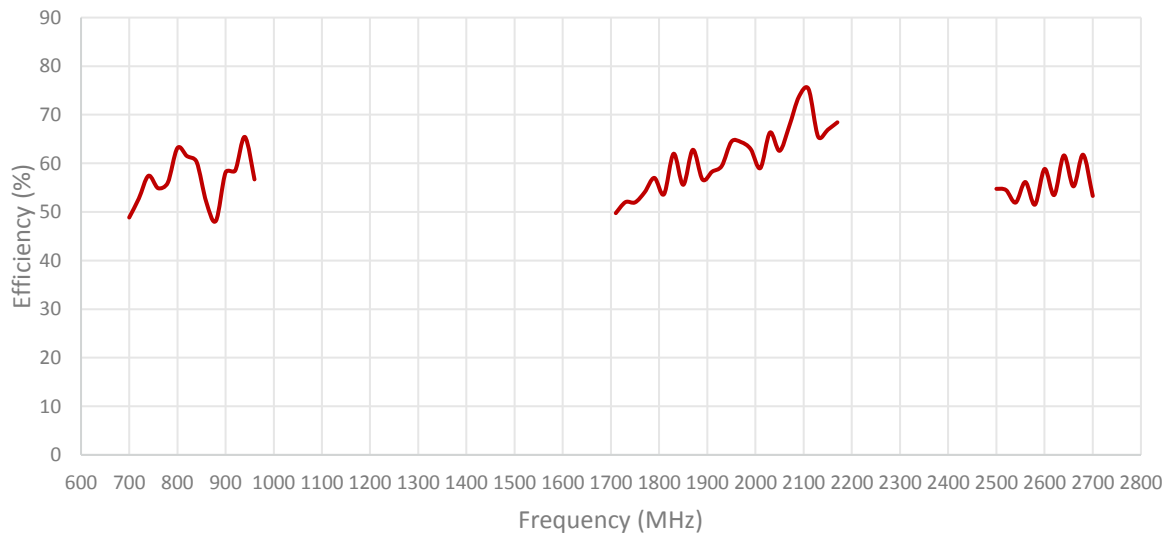
Measured in Certified CTIA 3D Anechoic Chamber

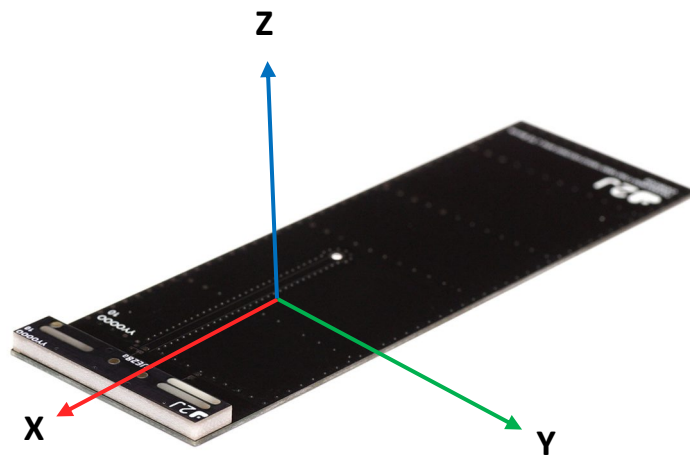
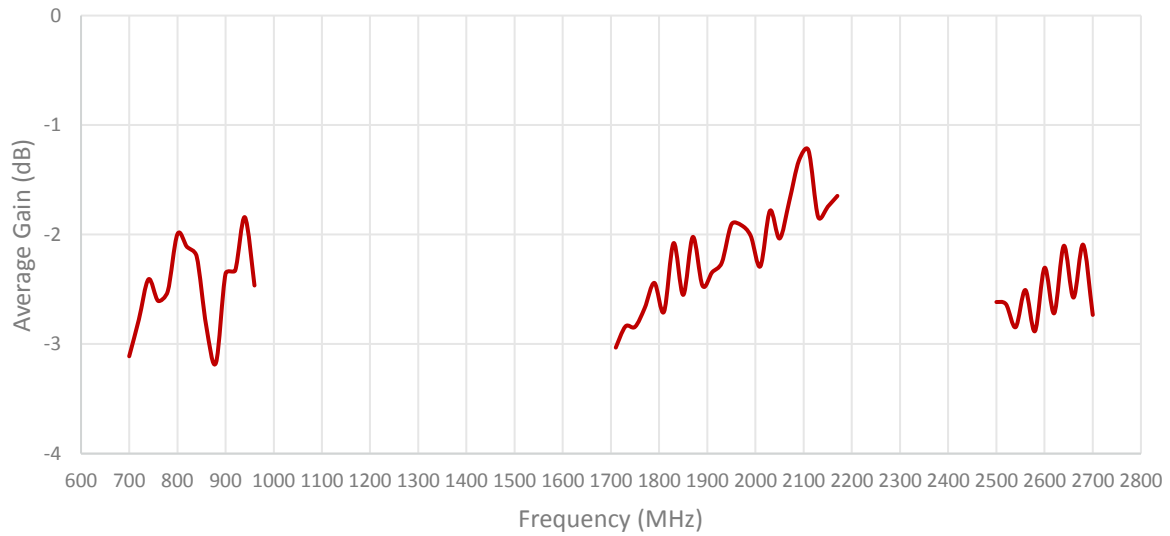
## 2. Mechanical and environmental specifications

Specifications	2JE28a
<b>Mounting Type</b>	Surface Mount
<b>Dimensions (mm)</b>	40 × 8 × 3
<b>Material</b>	Fiberglass
<b>Operating Temperature (C)</b>	-40 to +105
<b>Storage Temperature (C)</b>	-40 to +85
<b>Storage Relative Humidity (%)</b>	Up to 93 at 30 C
<b>Substance Compliance</b>	RoHS
<b>Typical Shear Force Test</b>	50 kgf according to IEC62137-1-2:2007

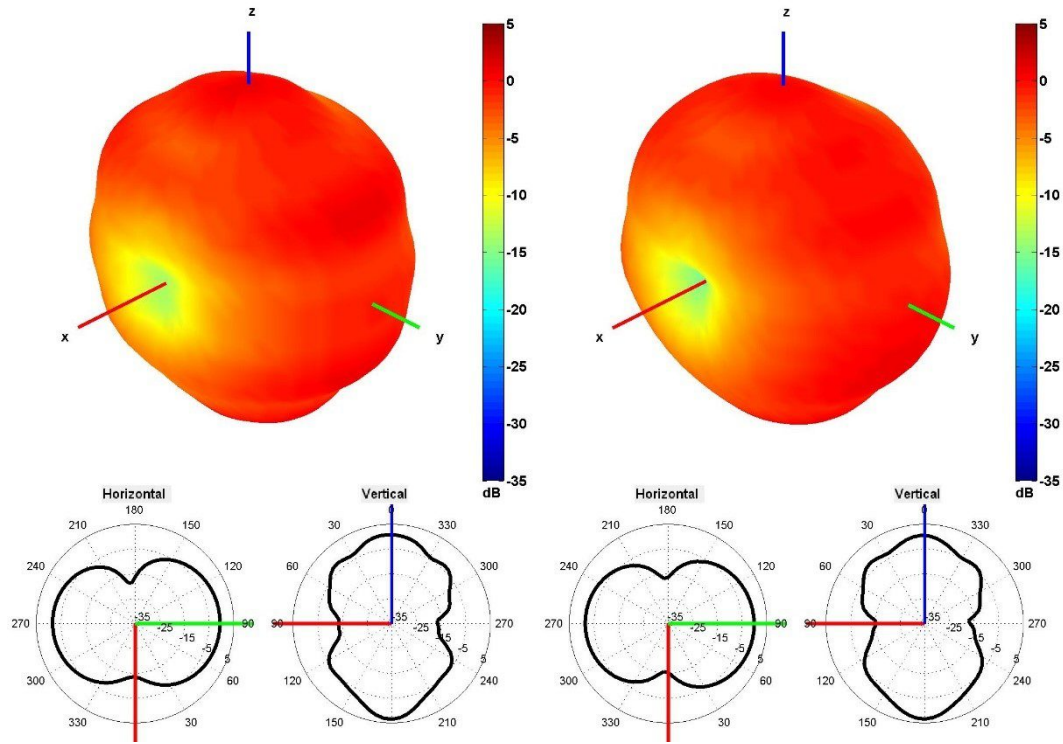
## 3. Antenna parameters



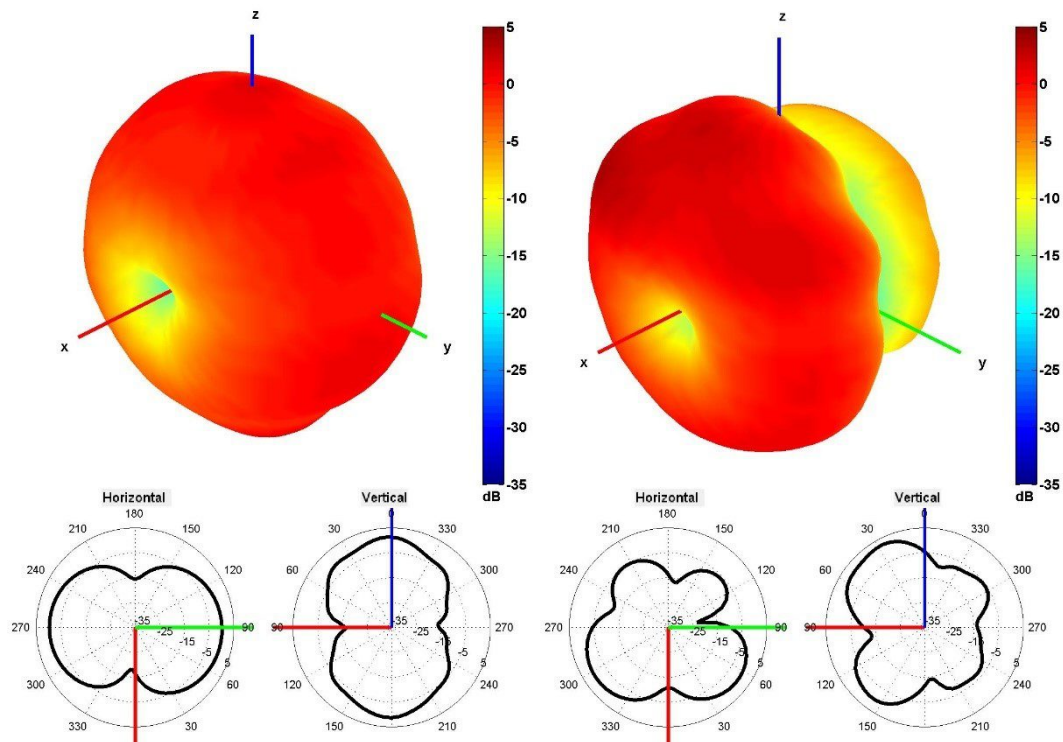




Radiation pattern reference



740 and 840 MHz Radiation pattern



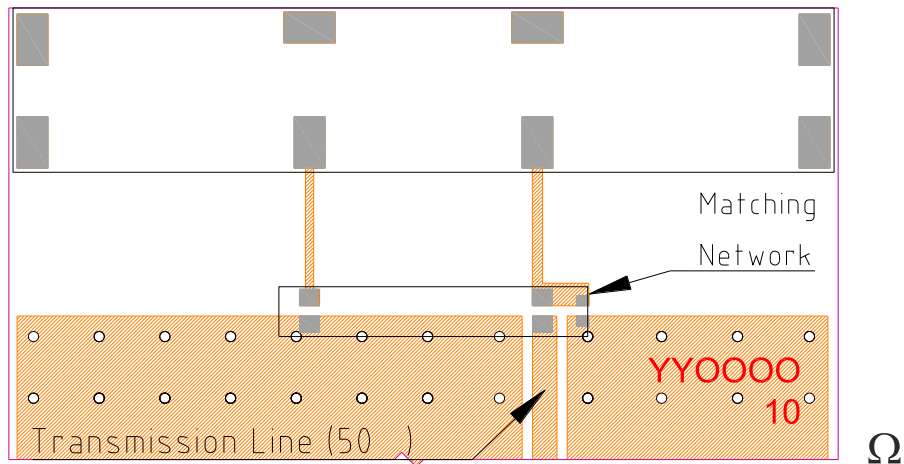
940 and 1750 MHz Radiation pattern



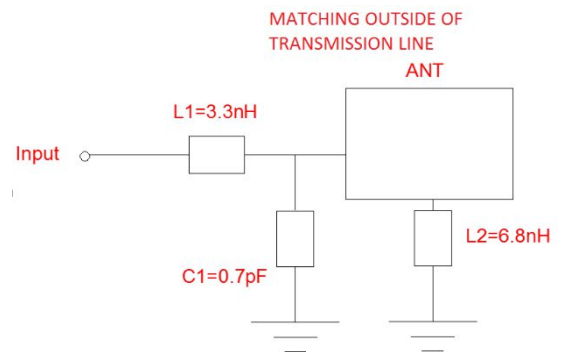
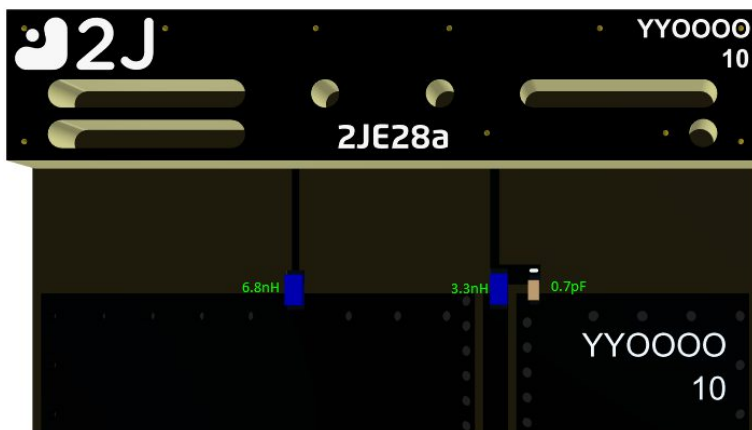




## 5. Matching Network

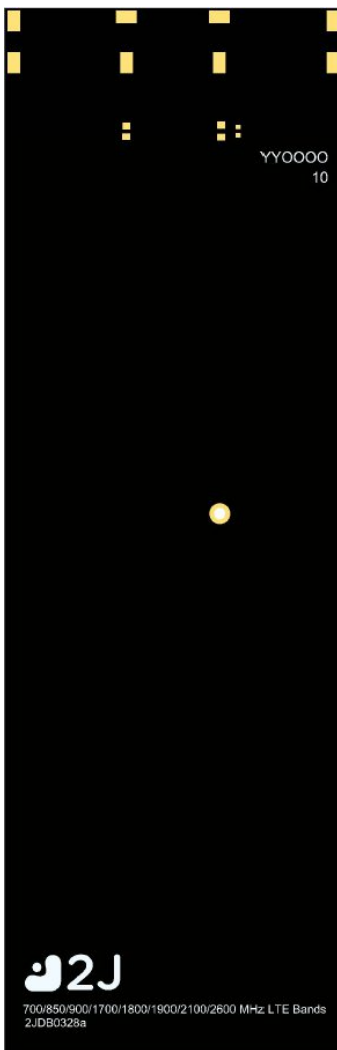


- Solder Region
- Copper Region
- Copper-Free Region



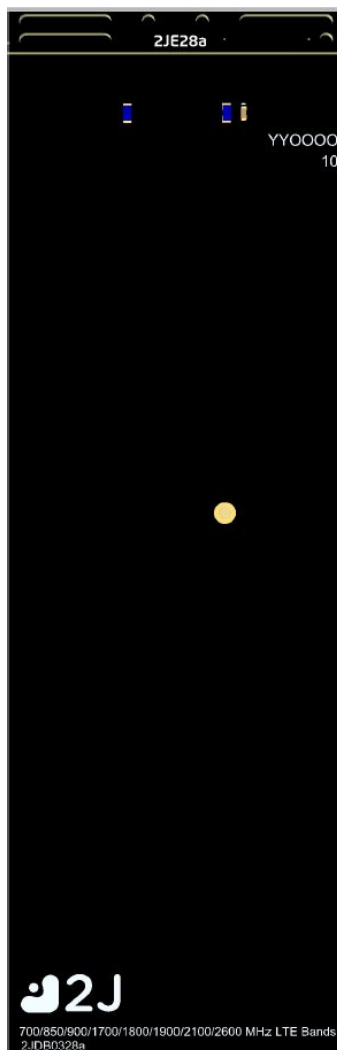
## 6. Evaluation Board

125mm x 40.4mm



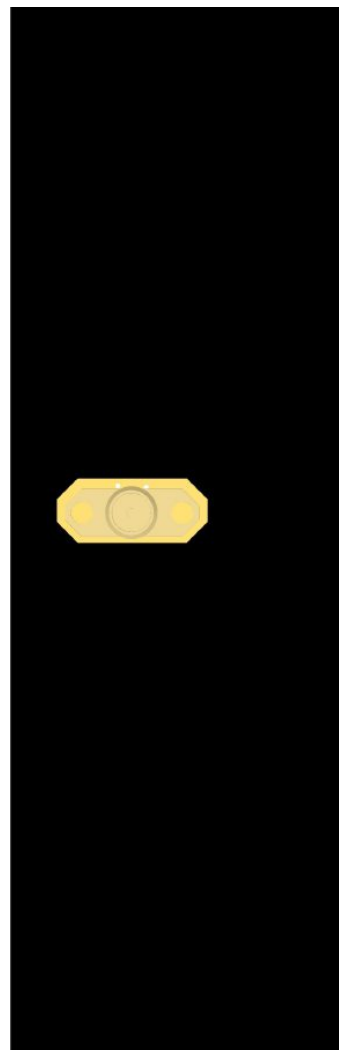
Front View without Antenna

125mm x 40.4mm



Front View with Antenna

125mm x 40.4mm



Back View

125mm x 40.4mm  
(PCB: 1.0mm, Antenna: 3mm,  
Connector: 9.5mm)



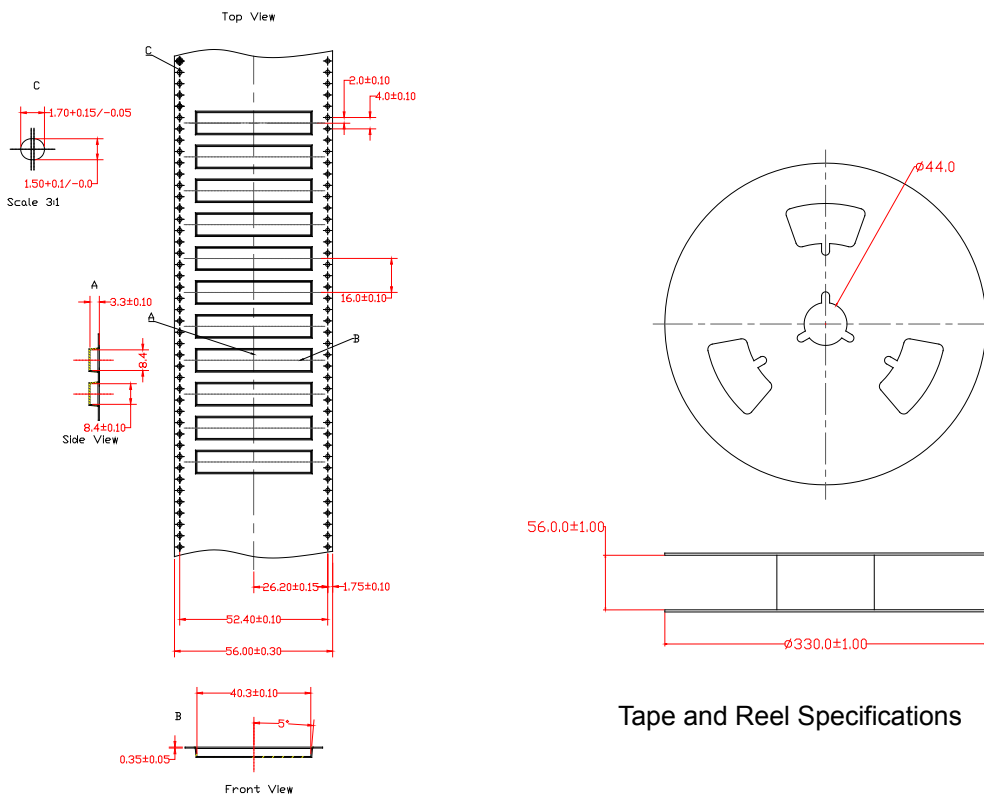
Side View

## 7. Packaging

### PACKAGING SPECIFICATION

<b>Antenna</b>	2JE28a
<b>REEL</b>	
<b>Max Quantity per Reel</b>	1000
<b>REEL CARTON</b>	
<b>Reels per Carton</b>	2
<b>Max Quantity per Carton</b>	2000
<b>Reel Carton Dimensions (cm)</b>	36.5 x 36.5 x 16
<b>Reel Carton Weight (Kg)</b>	5,6
<b>PALLET</b>	
<b>Max Cartons per Pallet</b>	42
<b>Cartons per Layer</b>	6
<b>Number of Layers</b>	7
<b>Max Quantities per Pallet</b>	84,000
<b>Total Cartons Dimensions (cm)</b>	109.5 x 73 x 112
<b>Total Cartons Weight (Kg)</b>	235,2
<b>Pallet size and weight not included above</b>	
<b>Typical Pallet Size (cm)</b>	120 x 100 x 14.4
<b>Typical Pallet Weight (Kg)</b>	5-25

## 8. Tape and Reel Information

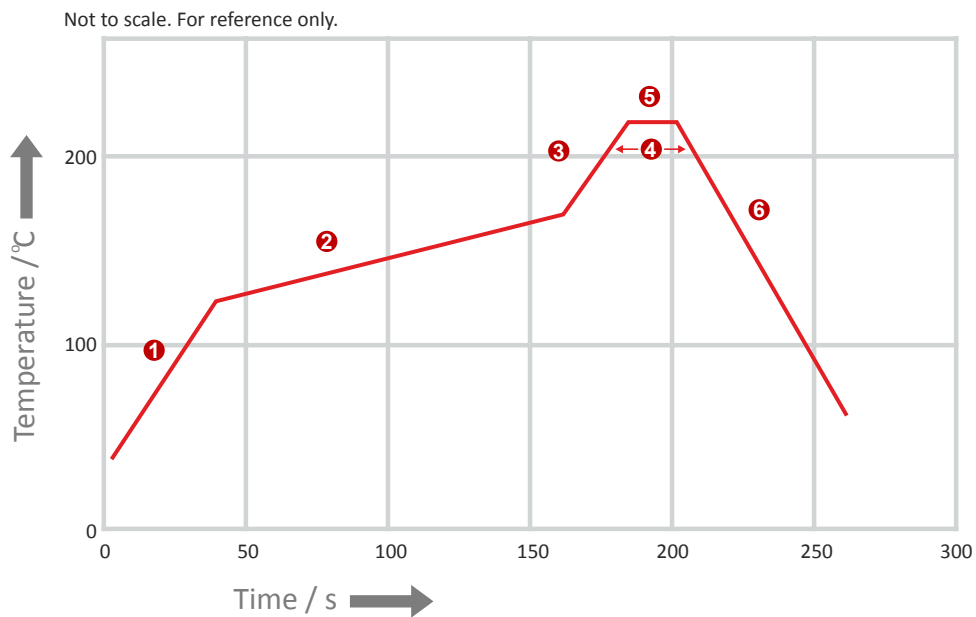


Tape and Reel Specifications

## REFLOW TEMPERATURE PROFILE

Minimum Recommended Reflow Profile

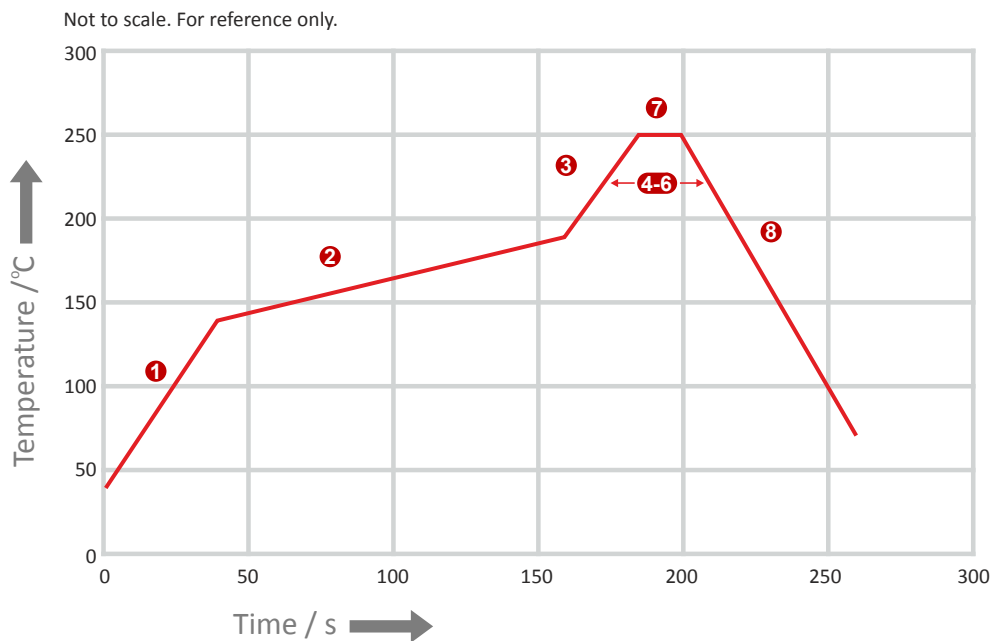
	Method of heat transfer	Controlled hot air convection
1	Average temperature gradient in preheating	2.5 °C/s
2	Soak time	2-3 minutes
3	Max temperature gradient in reflow	3 °C/s
4	Time above 217 °C	Max 30 sec
5	Peak temperature in reflow	230 °C for 10 seconds
6	Temperature gradient in cooling	Max -5 °C/s



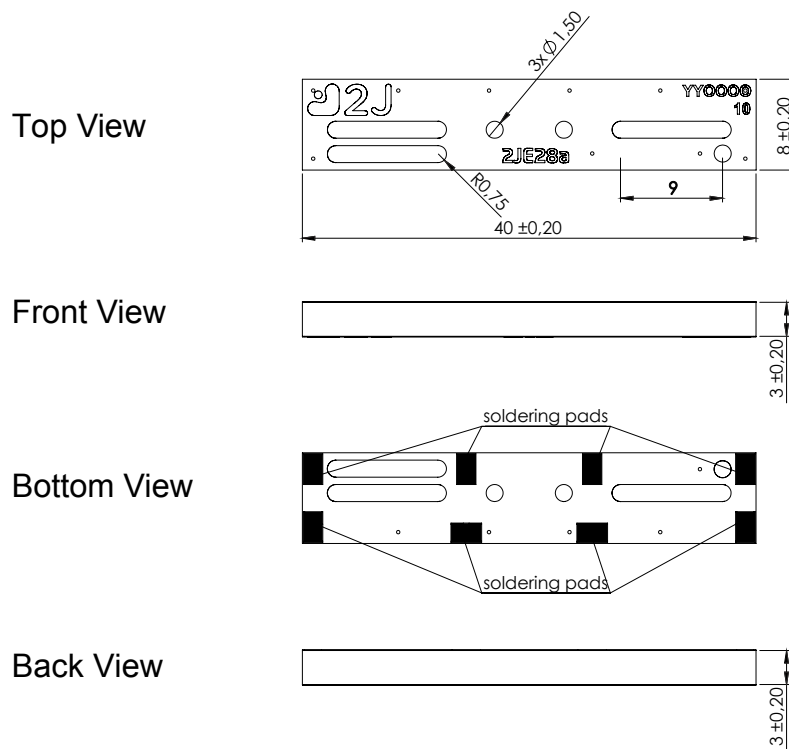
## REFLOW TEMPERATURE PROFILE

Maximum Recommended Reflow Profile

	Method of heat transfer	Controlled hot air convection
1	Average temperature gradient in preheating	2.5 °C/s
2	Soak time	2-3 minutes
3	Max temperature gradient in reflow	3 °C/s
4	Time above 217 °C	Max 60 sec
5	Time above 230 °C	Max 50 sec
6	Time above 250 °C	Max 10 sec
7	Peak temperature in reflow	260 °C for 5 seconds
8	Temperature gradient in cooling	Max -5 °C/s



## 9. Antenna drawings



Dimensions for fiberglass antenna  $40 \times 8 \times 3$  mm  $\pm 0,2$ mm

## 10. Antenna Images

