

2JDB0202-C831G

2G/3G/4G LTE Cellular Development Board

Key Features

Development Board

for Connector Mount Antennas

2G/3G/4G LTE Cellular Antennas:

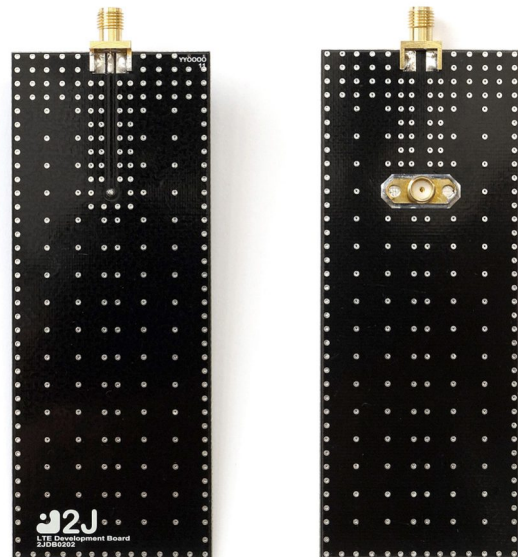
2G, CDMA, GPRS, 3G, WCDMA, HSPA,

4G LTE, etc.

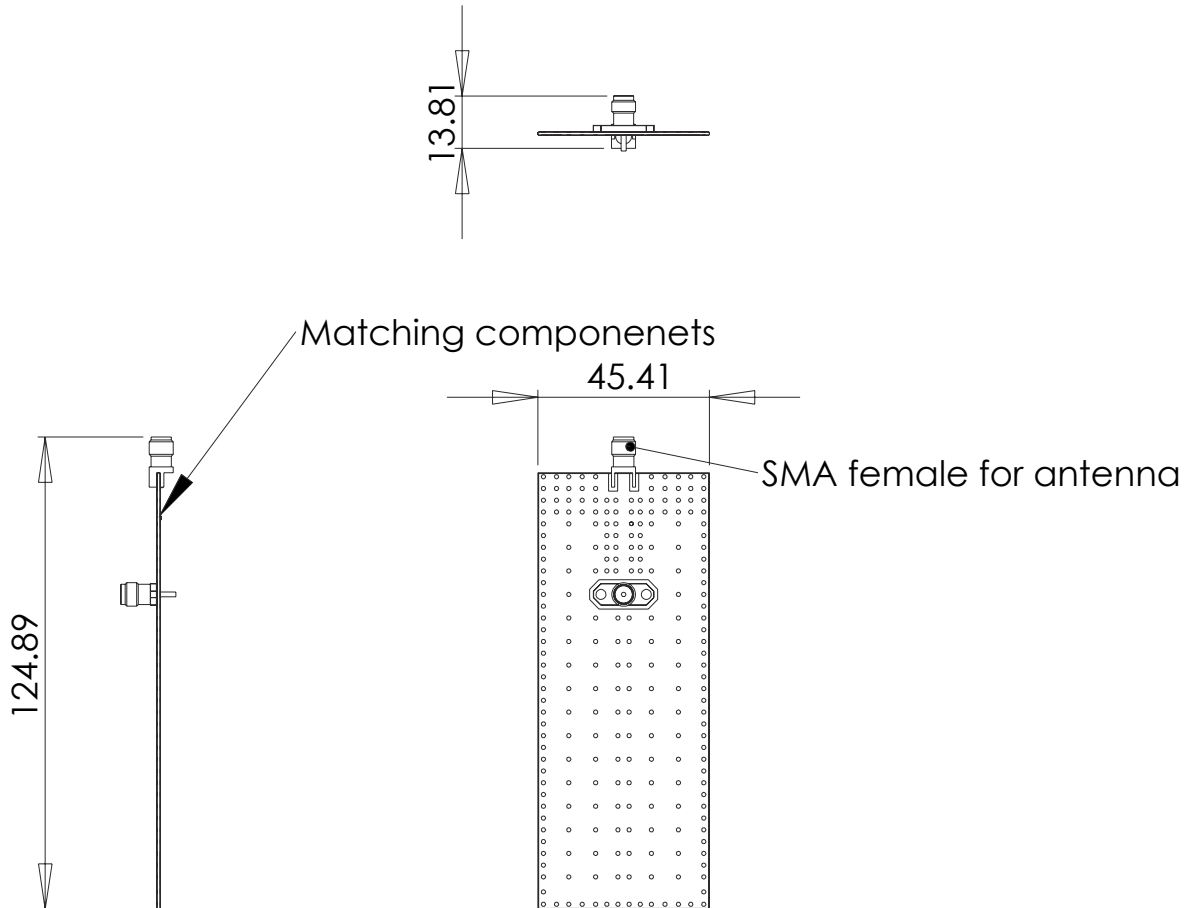
Antenna Mating Connector: Edge SMA-Female

Board Connector: Flange SMA-Female

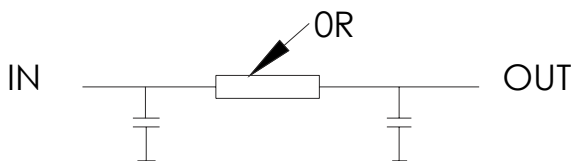
Ground Plane of 115x45 mm



1. Board drawings



For matching componenets can be used up to 3 componenets in Phi network. But in default is used just 0R resistor for connecting input port with output port.



2. Board Images

