

## 2JD0665-C728N

FM/DAB Connector Mount Antenna

### Key Features

#### FM/DAB Antenna

- 88-108 MHz
- 174-240 MHz

Connector Mount

Ground Plane Independent

High Gain Dipole Antenna

Dimensions Ø 16 x 1074 mm



## 1. Antenna and electrical specifications

Parameters	FM/DAB Antenna	
<b>Standards</b>	FM and DAB	
<b>Band</b>	FM	DAB
<b>Frequency (MHz)</b>	88-108	174-240
<b>Impedance (Ohm)</b>	75	
<b>Polarization</b>	Linear	
<b>Radiation Pattern</b>	Omni-Directional	
<b>Max. Input Power (W)</b>	25	
<b>Connector Type</b>	SMA-Male Standard	

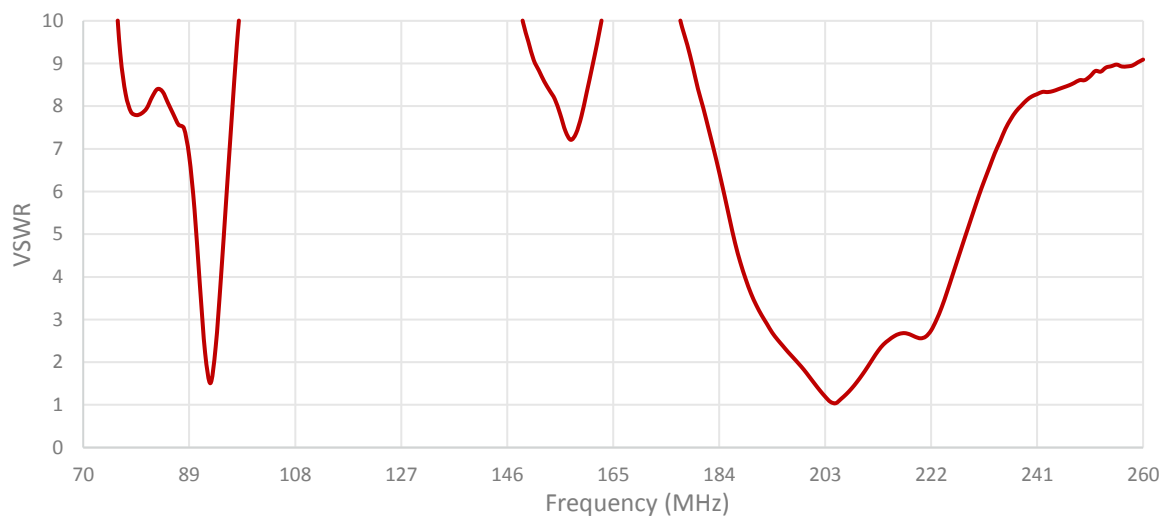
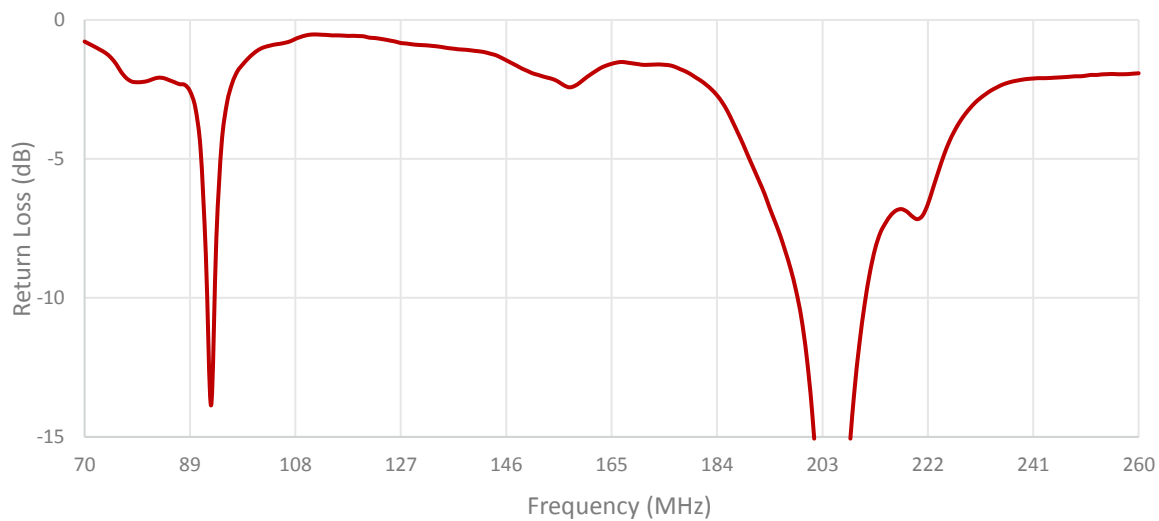
**Antenna Measurement Conditions:**

Free Space

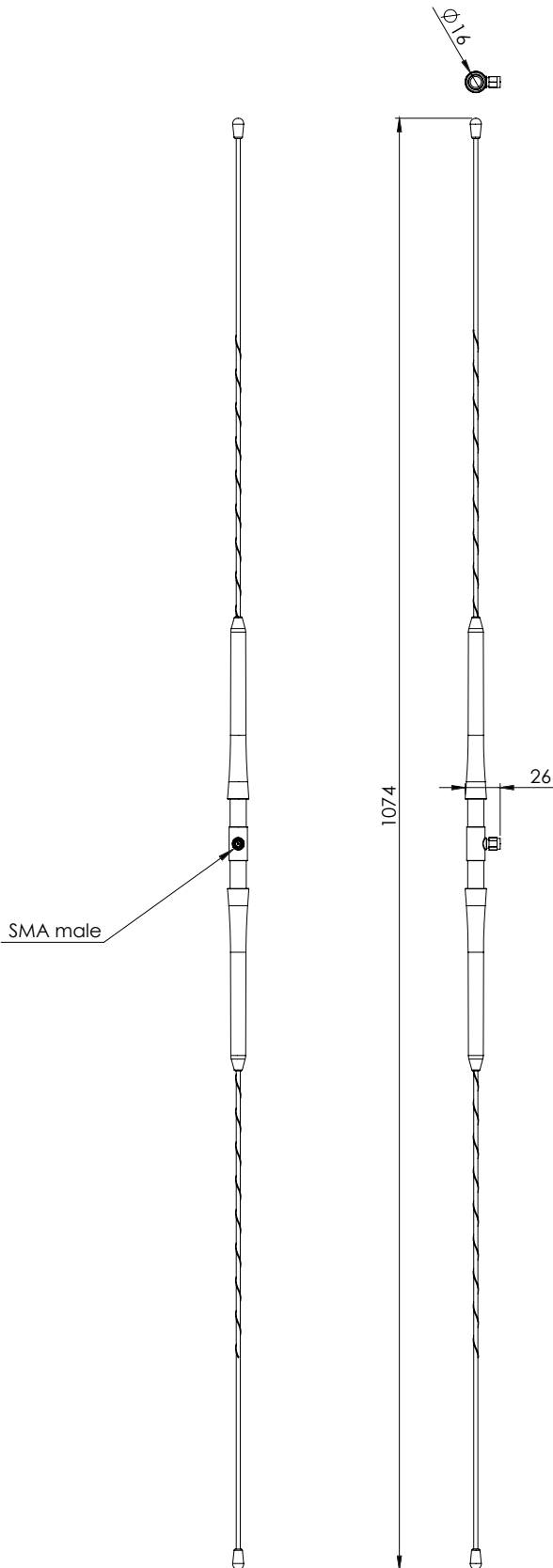
## 2. Mechanical and environmental specifications

Specifications	2JD0665-C728N
<b>Mounting Type</b>	Connector Mount
<b>Dimensions (mm)</b>	Ø 16 x 1074
<b>Radome Type</b>	TPE
<b>Radome color</b>	Black
<b>Operating Temperature (C)</b>	-40 to +85
<b>Storage Temperature (C)</b>	-40 to +85
<b>Substance Compliance</b>	RoHS

### 3. Antenna parameters



4. Antenna drawings



## 5. Antenna Images

