

## 2JCP3682101Cc

GNSS/L1L2 Ceramic Thru-Hole Mount

### Key Features

GPS/GLONASS/BeiDou/QZSS/Galileo/  
SBAS/RTK/L1L2

- 1227 and 1561-1606 MHz

Thru-Hole Mount

Single Feed

Stacked Patch

High Performance

Ground Plane Dependent

Dimensions 36 × 36 × 8 mm



## 1. Antenna and electrical specifications

Parameters	GNSS Active Antenna	
<b>Technologies</b>	GPS/Glonass/Beidou/QZSS/Galileo/SBAS/RTK/L1L2	
<b>Bandwidth (MHz)</b>	1227	1561-1606
<b>Bands</b>	L2	L1
<b>Frequency (MHz)</b>	1227.6	1561.09, 1575.42, 1602
<b>Standards</b>	GPS(L2C), QZSS(L2C)	GPS(L1C), GLONAS(L1OF), BeiDou(B1) QZSS(L1C), Galileo(E1), SBAS (L1)
<b>Return Loss (dB)</b>	~-19.73	~-9.99
<b>VSWR</b>	~1.2:1	~2:1
<b>Efficiency (%)</b>	~78.3	~75.4
<b>Passive Peak Gain (dBi)</b>	~3.7	~4.3
<b>Average Gain (dB)</b>	~-1.1	~-1.2
<b>Impedance (Ohms)</b>	50	
<b>Radiation Pattern</b>	Hemispherical	
<b>Polarization</b>	RHCP	

### Antenna Measurement Conditions:

Free Space

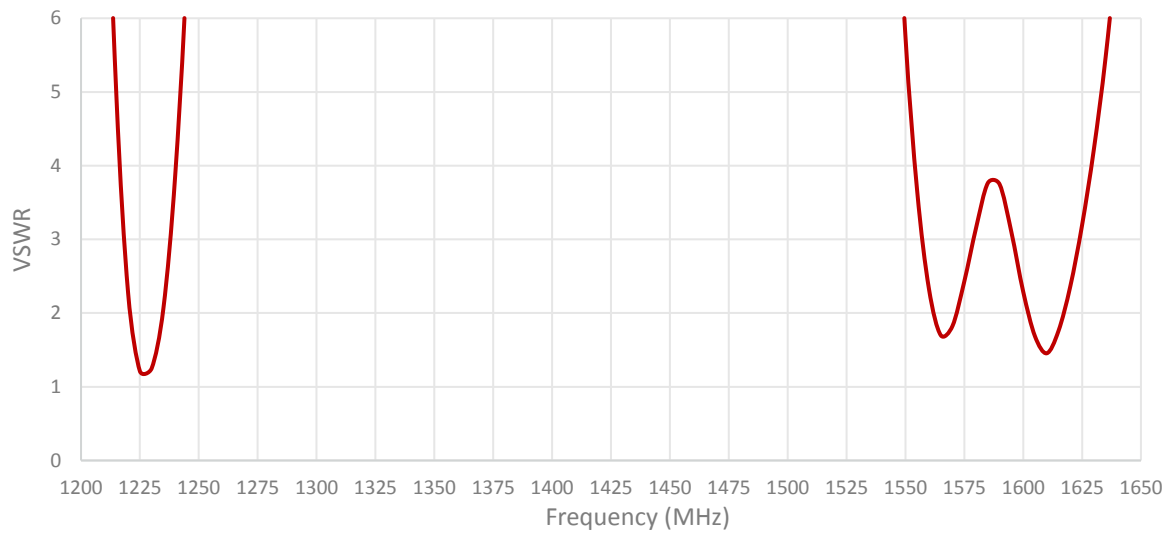
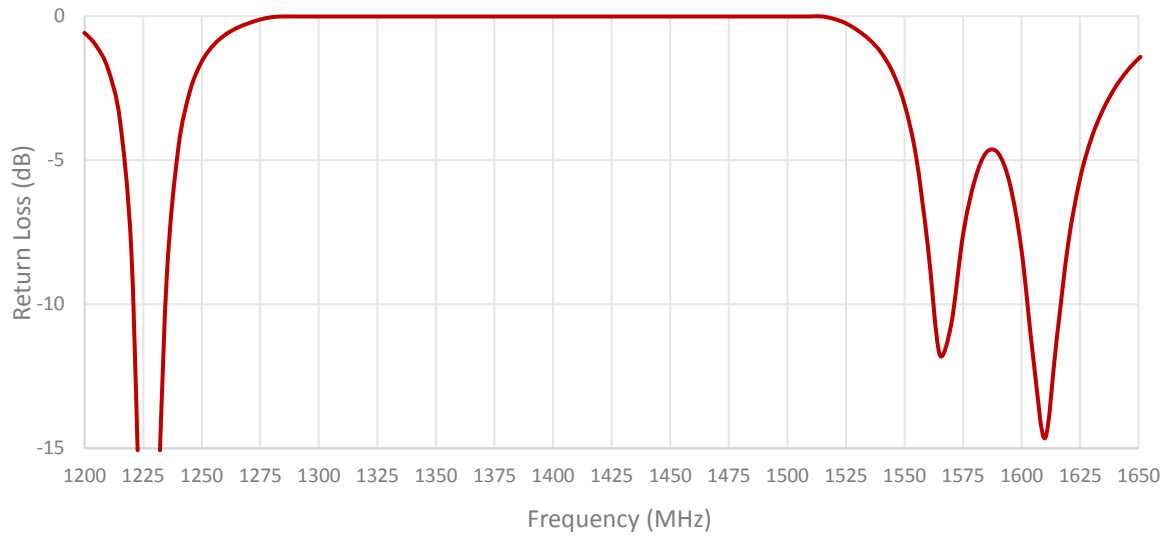
Mounted on Ground Plane of 70 x 70 mm

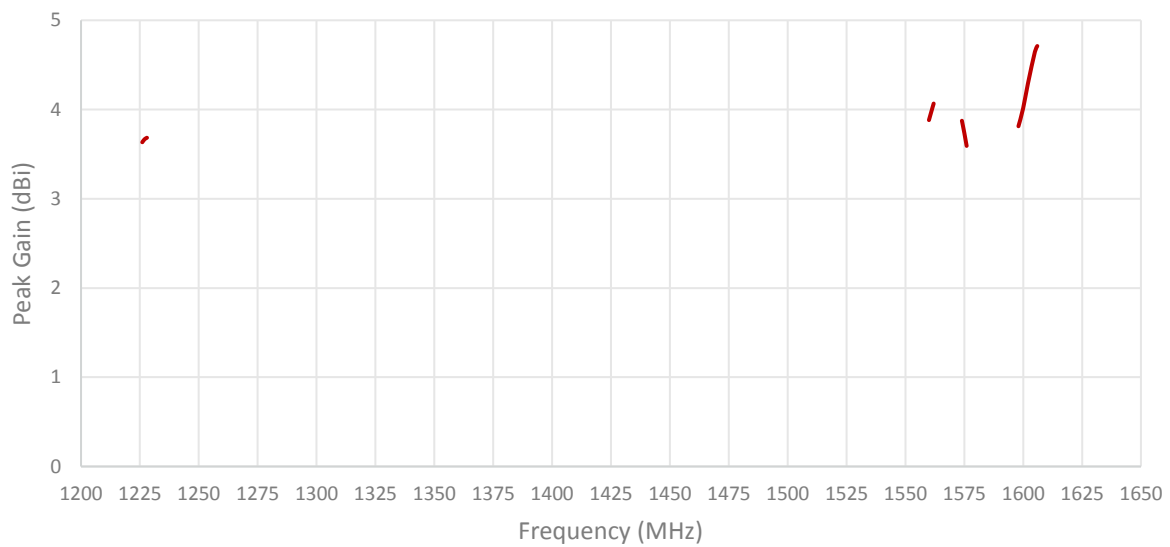
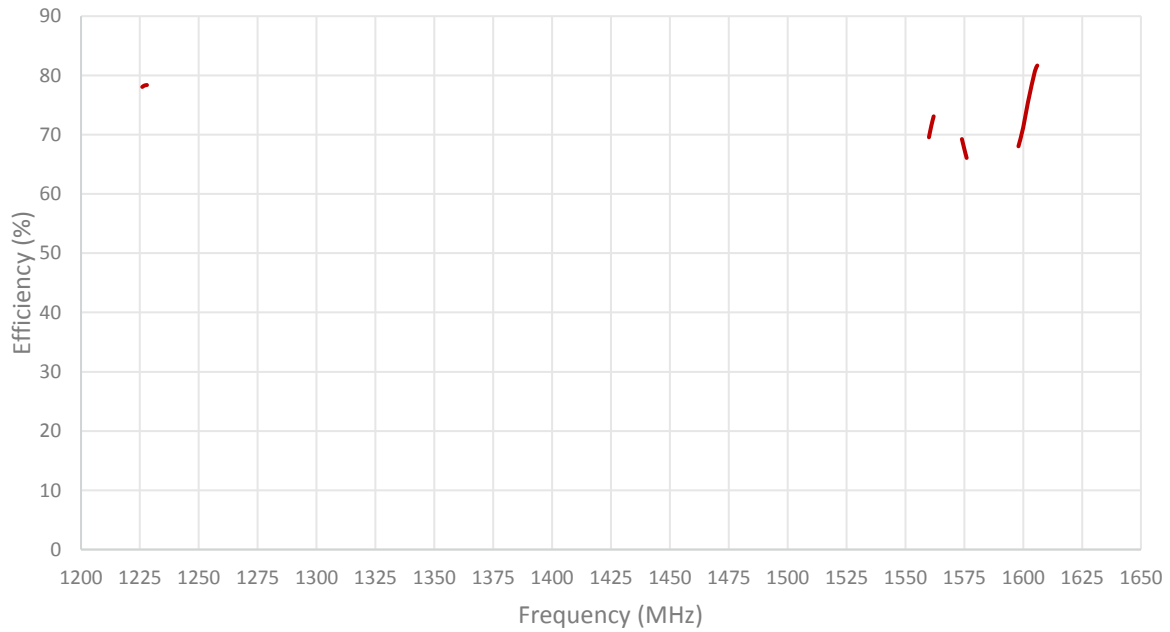
Measured in Certified CTIA 3D Anechoic Chamber

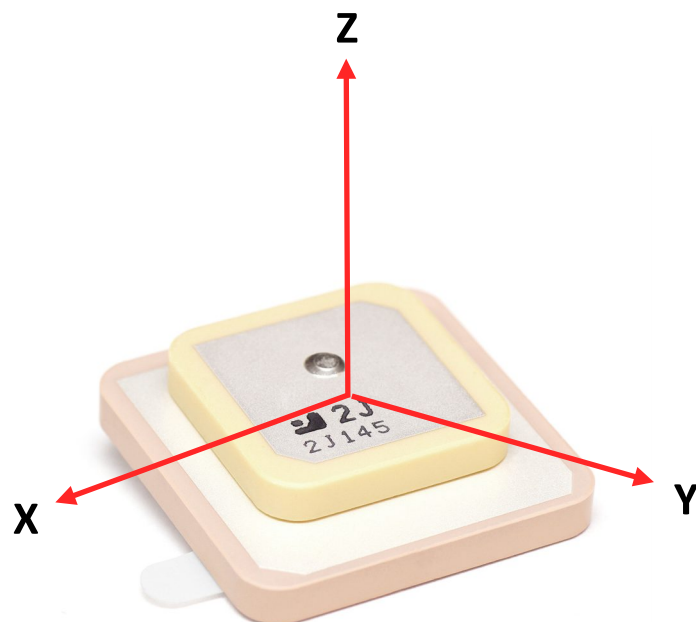
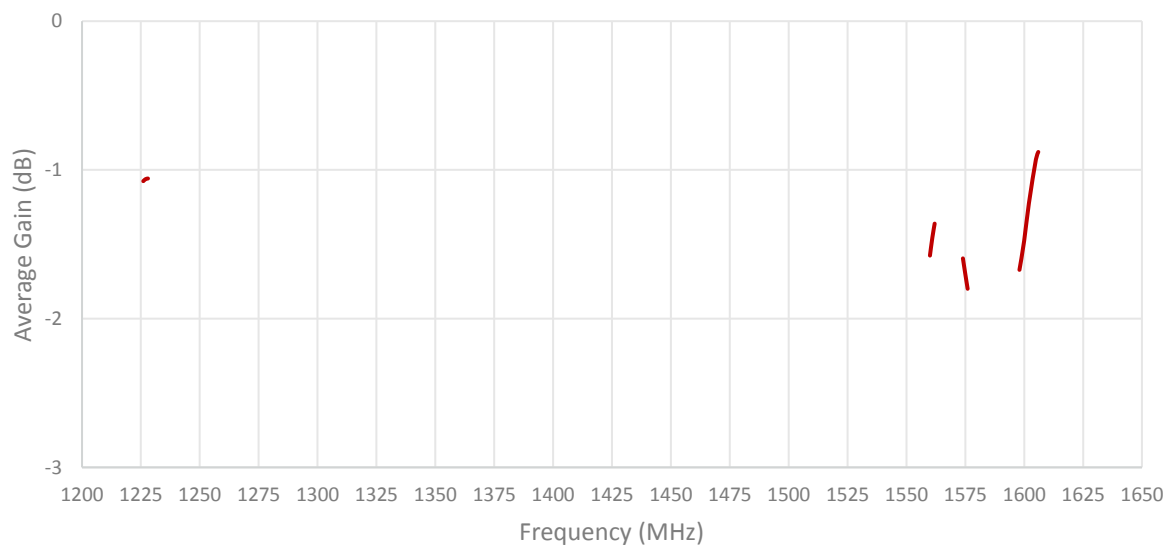
## 2. Mechanical and environmental specifications

Specifications	2JCP3682101Cc
<b>Mounting Type</b>	Thru-Hole Mount
<b>Adhesive</b>	Nitto 5000NS
<b>Dimensions (mm)</b>	36 × 36 × 8
<b>Operating Temperature (C)</b>	-40 to +85
<b>Storage Temperature (C)</b>	-40 to +85
<b>Substance Compliance</b>	RoHS

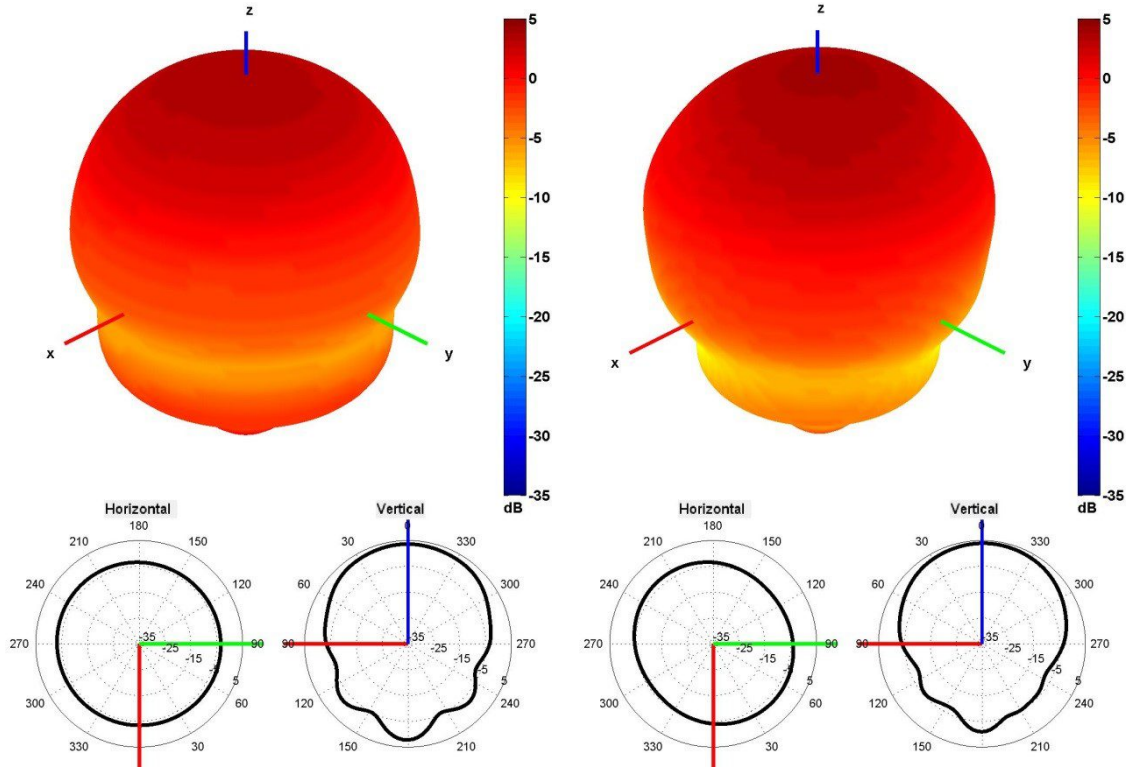
### 3. Antenna parameters



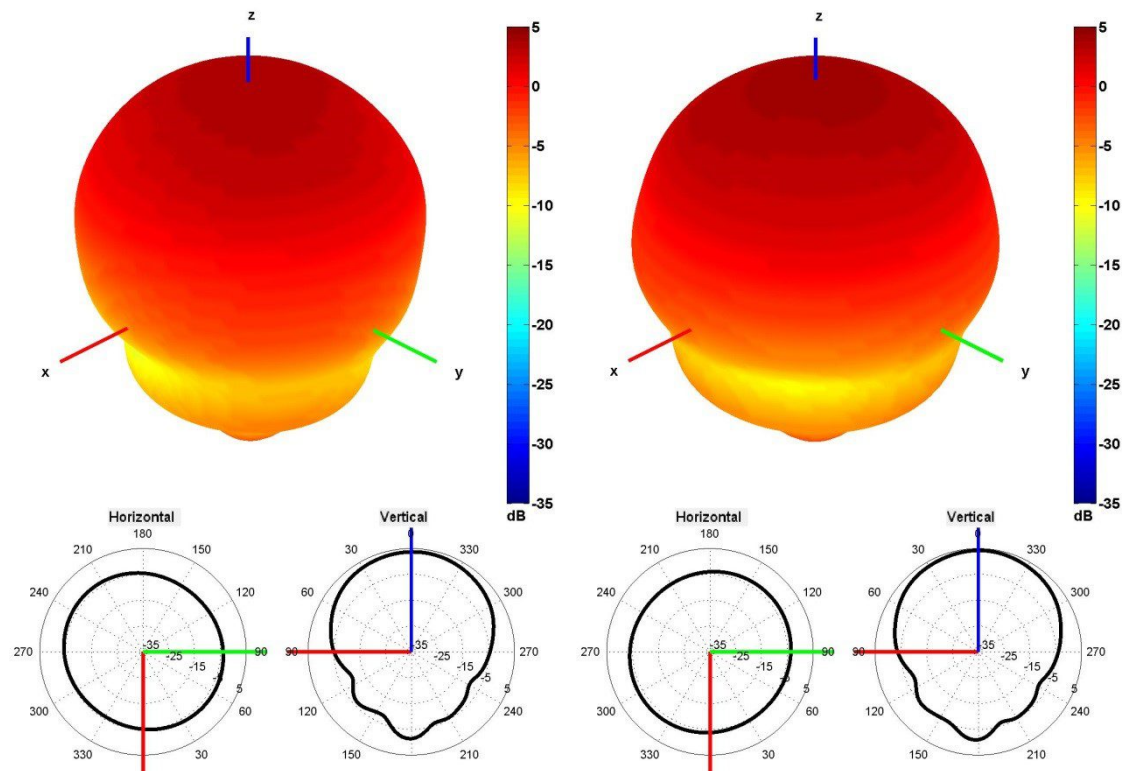




Radiation pattern reference

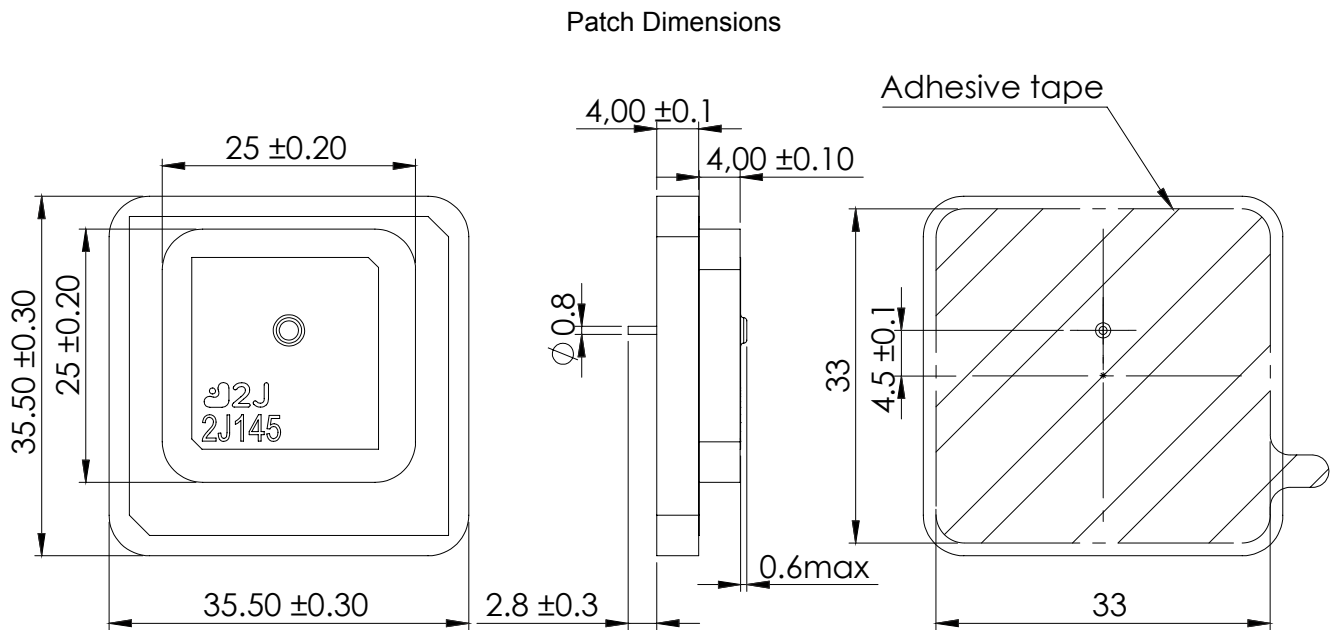


1227 and 1561 MHz Radiation pattern

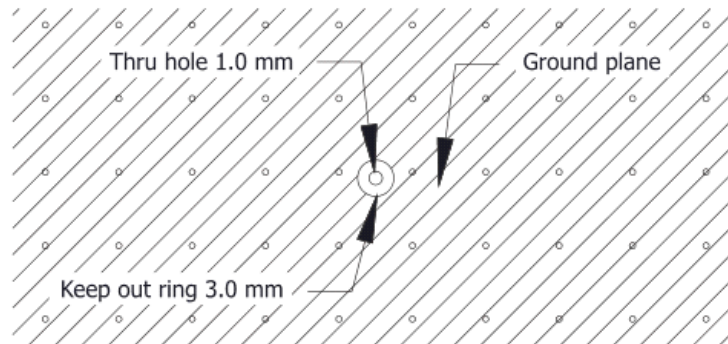


1575 and 1602 MHz Radiation pattern

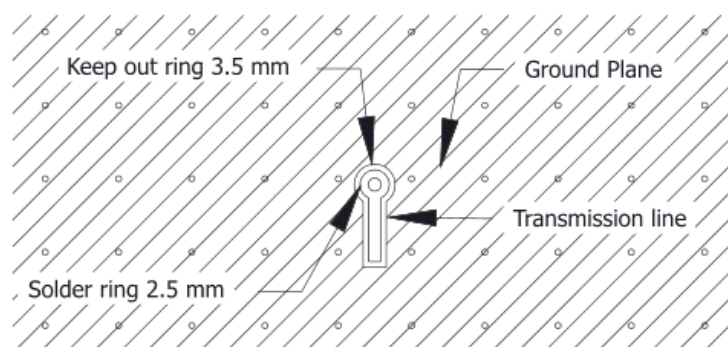
## 4. Antenna drawings



Layout for top layer



Layout for bottom layer



## 5. Antenna Images

