

2JCP1840101Ca

GNSS Ceramic Thru-Hole Mount

Key Features

GPS/GLONASS/BeiDou/QZSS/Galileo

- 1561-1606 MHz

Thru-Hole Mount

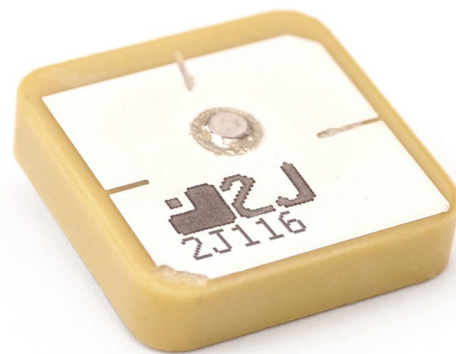
High Gain

Ground Plane Dependent

Dimensions 18 x 18 x 4 mm

Please check our Development Kit

2JDK0101Ca-C104N



1. Antenna and electrical specifications

Parameters	GNSS Ceramic Thru-Hole Mount Antenna		
	BeiDou	GPS/QZSS/Galileo	GLONASS
Standards			
Bands (MHz)	1561	1575	1602
Frequency (MHz)	1561.098	1575.42	1598-1606
Return Loss (dB)	~-6.9	~-7.2	~-17.3
VSWR	~2.7:1	~2.6:1	~1.4:1
Efficiency (%)	~65.6	~61.4	~68.7
Peak Gain (dBi)	~-5.2	~-5.4	~-5.4
Average Gain (dB)	~-1.8	~-2.1	~-1.6
Impedance (Ohms)		50	
Radiation Pattern		Hemispherical	
Polarization		RHCP	

Antenna Measurement Conditions:

Free Space

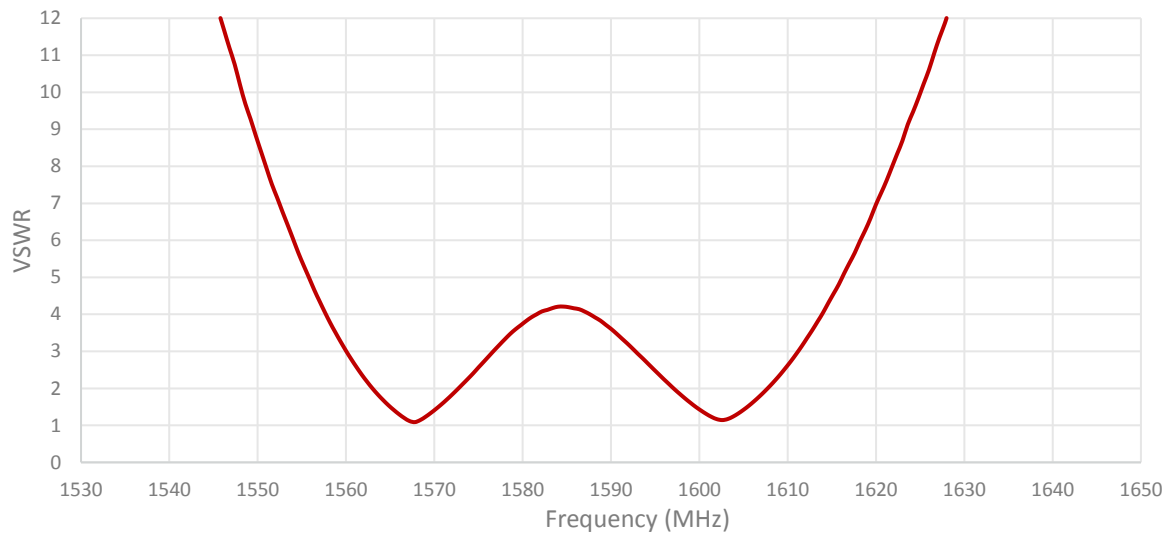
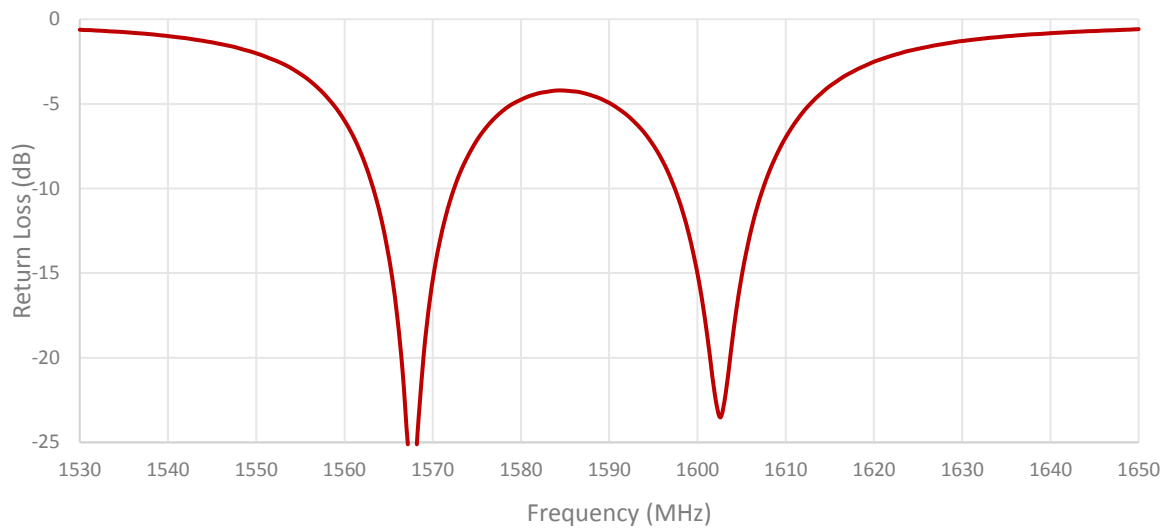
Mounted on Ground Plane of 70 x 70 mm

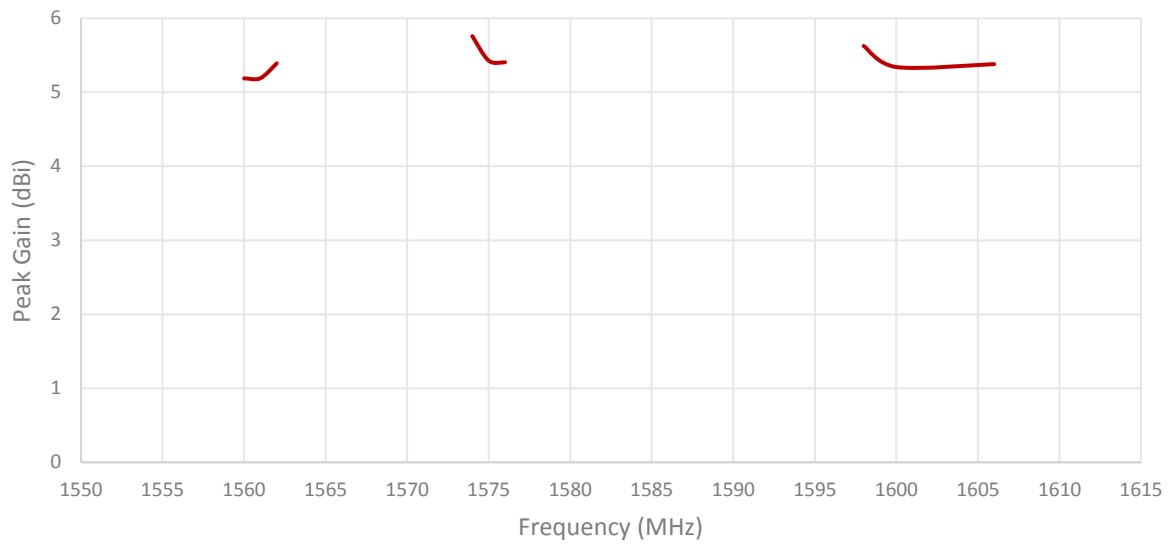
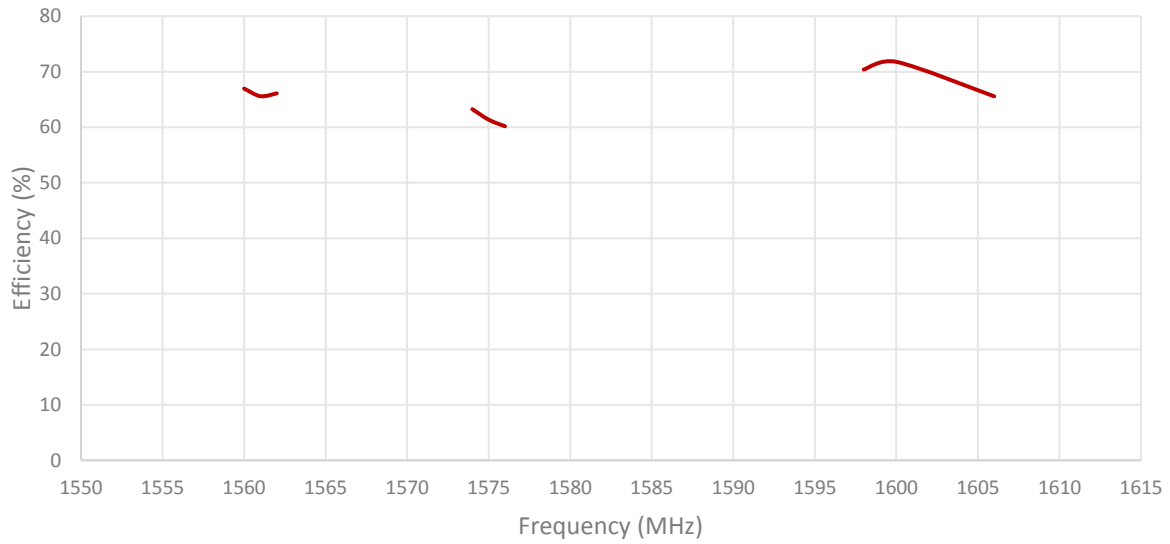
Measured in Certified CTIA 3D Anechoic Chamber

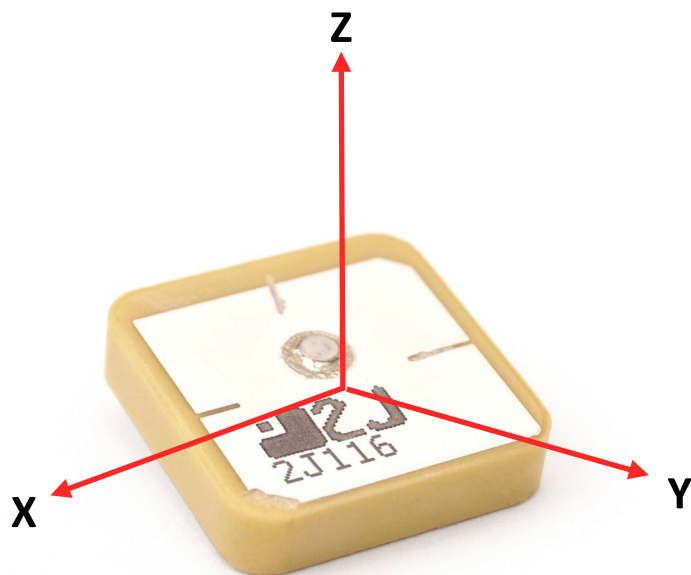
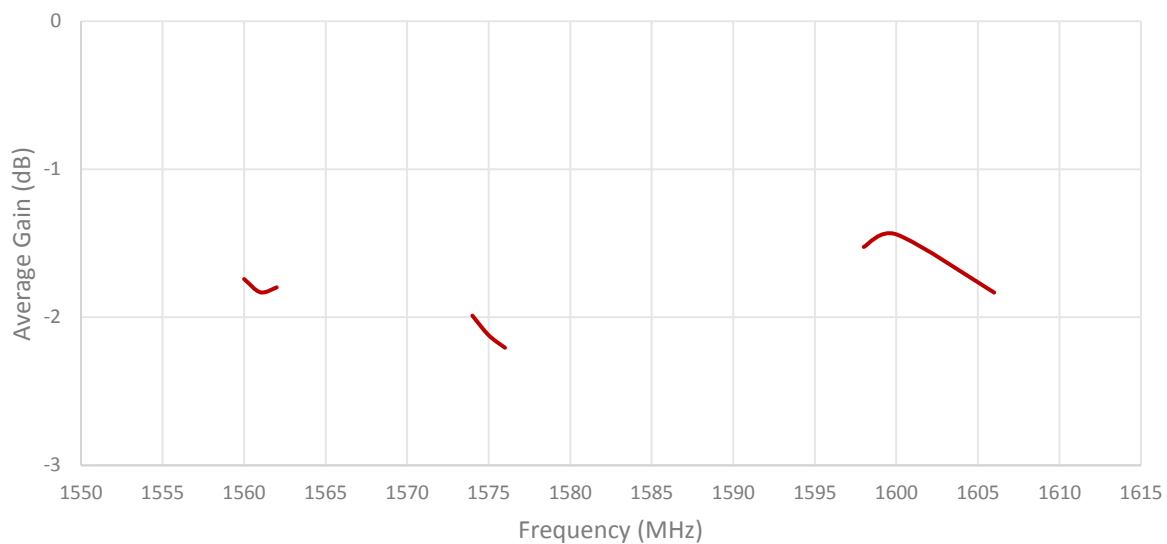
2. Mechanical and environmental specifications

Specifications	2JCP1840101Ca
Mounting Type	Thru-Hole Mount
Adhesive	Nitto 5000NS
Dimensions (mm)	18 x 18 x 4
Operating Temperature (C)	-40 to +85
Storage Temperature (C)	-40 to +85
Substance Compliance	RoHS

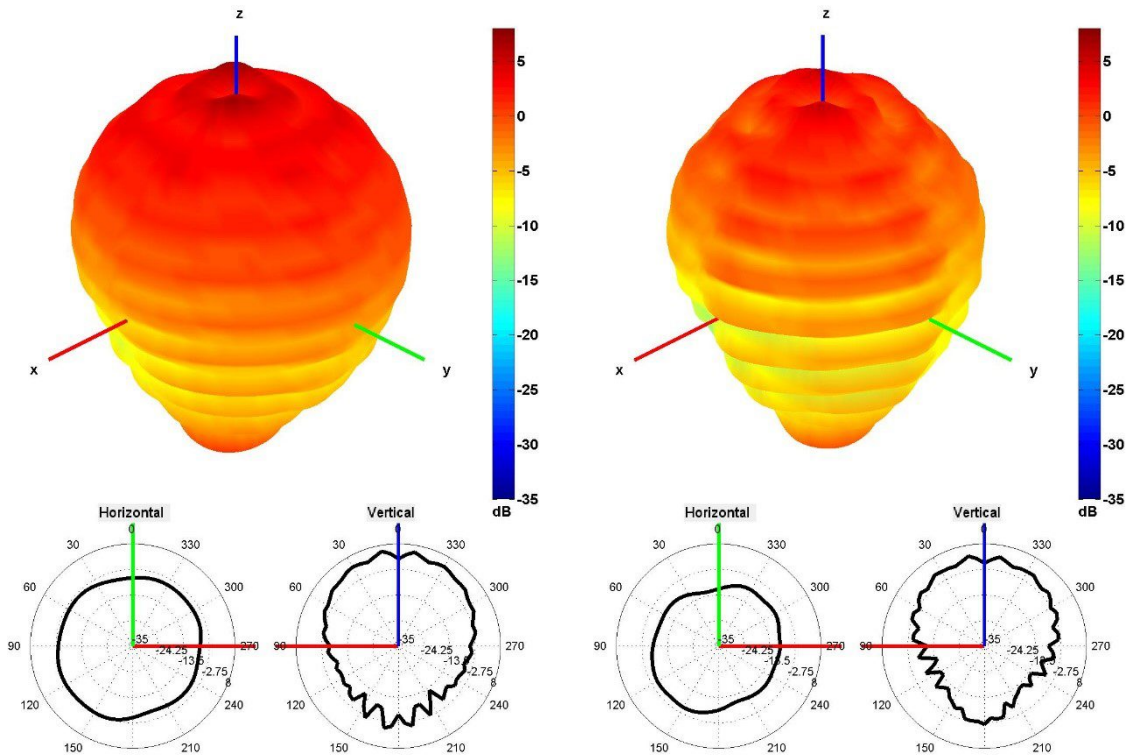
3. Antenna parameters



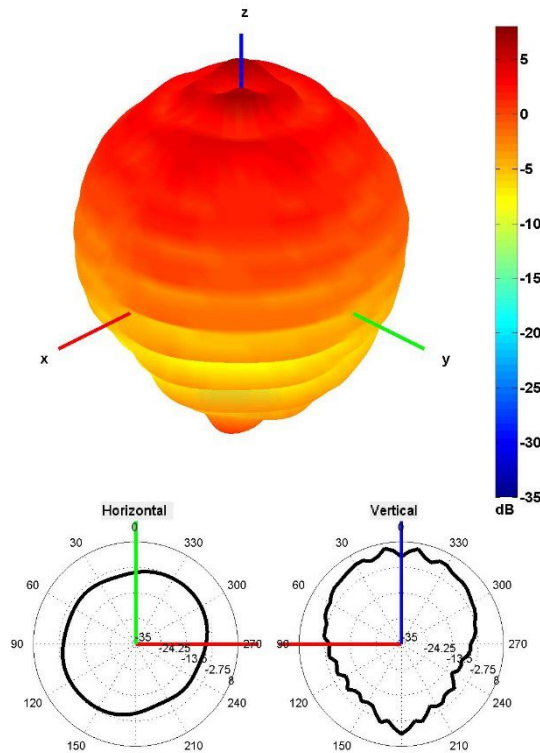




Radiation pattern reference

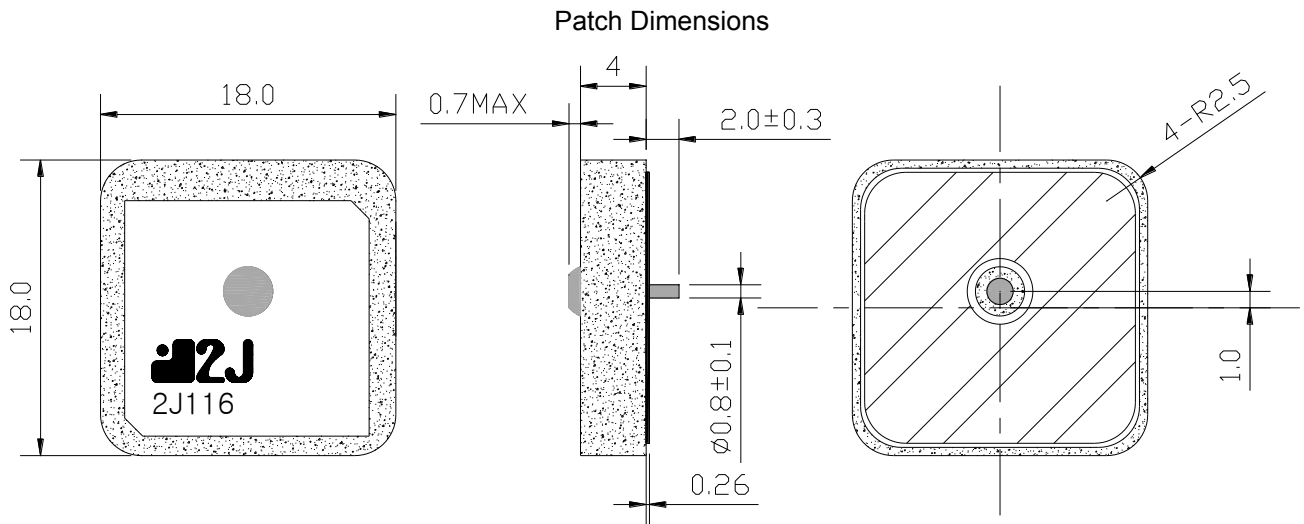


1561 and 1575 MHz Radiation pattern

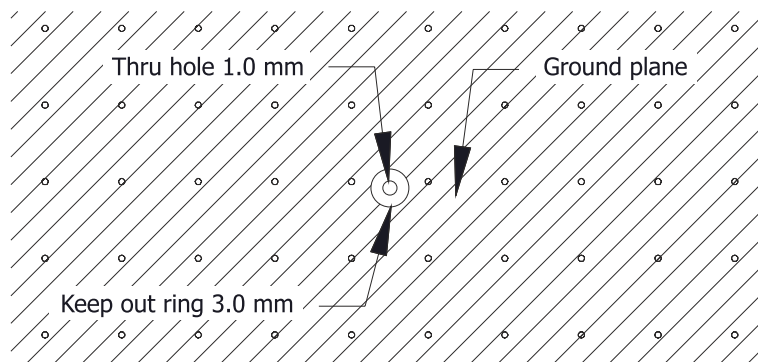


1602 MHz Radiation pattern

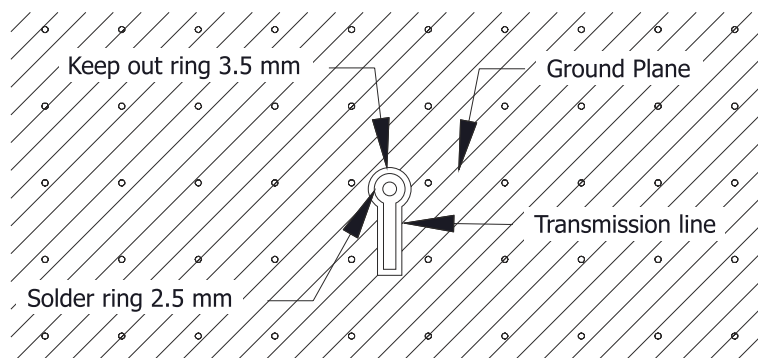
4. Antenna drawings



Layout for top layer



Layout for bottom layer



5. Antenna Images

