

## 2JCP1820101a

GNSS Ceramic Thru-Hole Mount

### Key Features

GPS/QZSS/Galileo

- 1575 MHz

Thru-Hole Mount

High Gain

Ground Plane Dependent

Dimensions 18.5 x 18.5 x 2 mm



## 1. Antenna and electrical specifications

Parameters	GNSS Ceramic Thru-Hole Mount Antenna
Standards	GPS/QZSS/Galileo
Bands (MHz)	1575
Frequency (MHz)	1575.42
Return Loss (dB)	~-28.7
VSWR	~1.1:1
Efficiency (%)	~63.2
Peak Gain (dBiC)	~3.5
Average Gain (dB)	~-2.0
Impedance (Ohms)	50
Radiation Pattern	Hemispherical
Axial Ratio (dB)	3 max
Polarization	RHCP

### Antenna Measurement Conditions:

Free Space

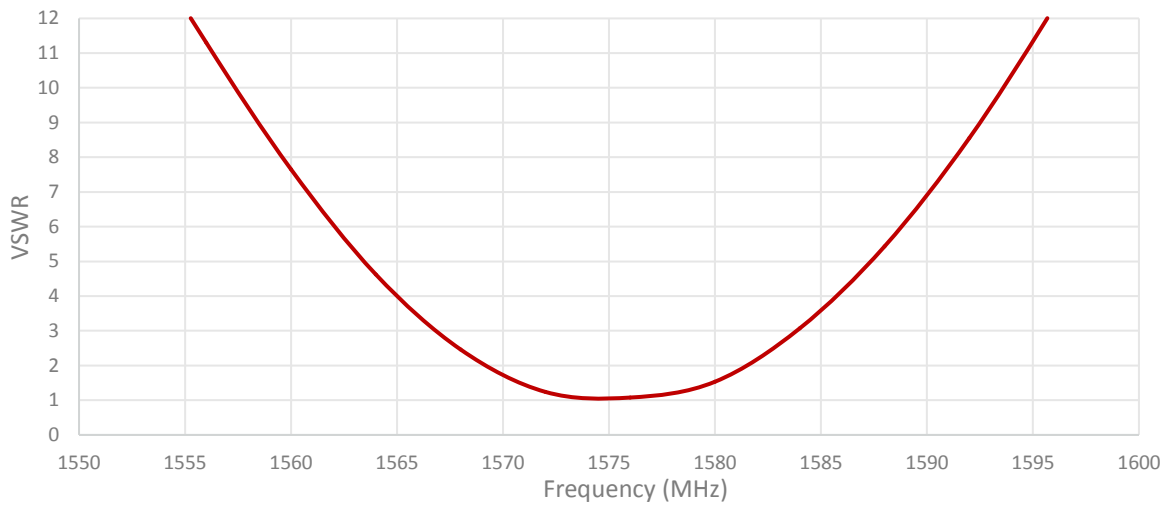
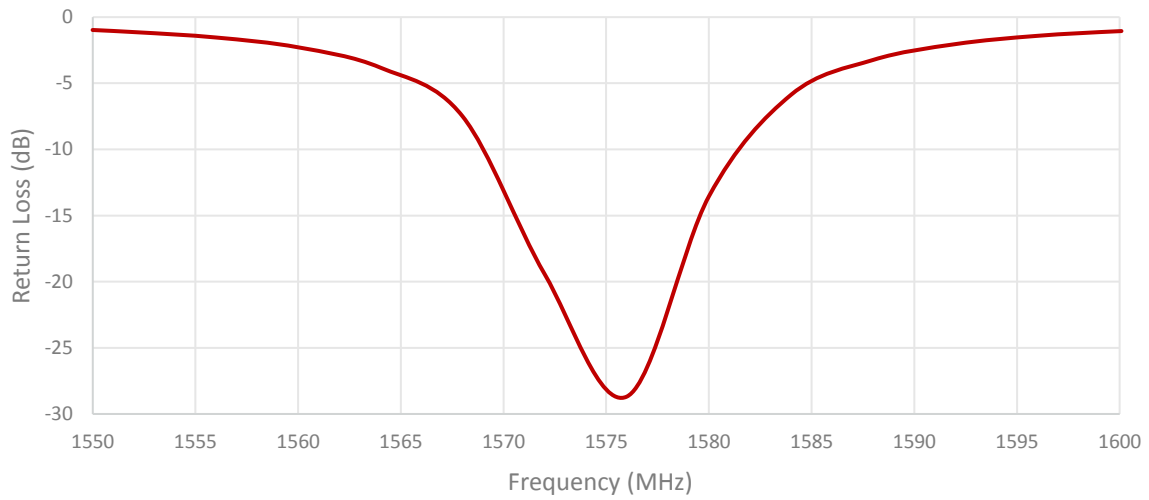
Mounted on Ground Plane of 70 x 70 mm

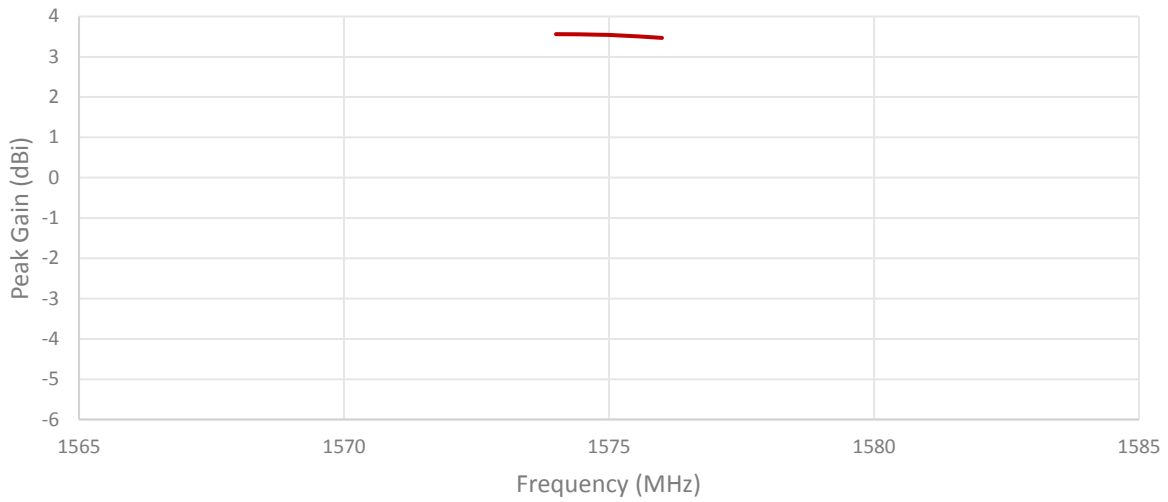
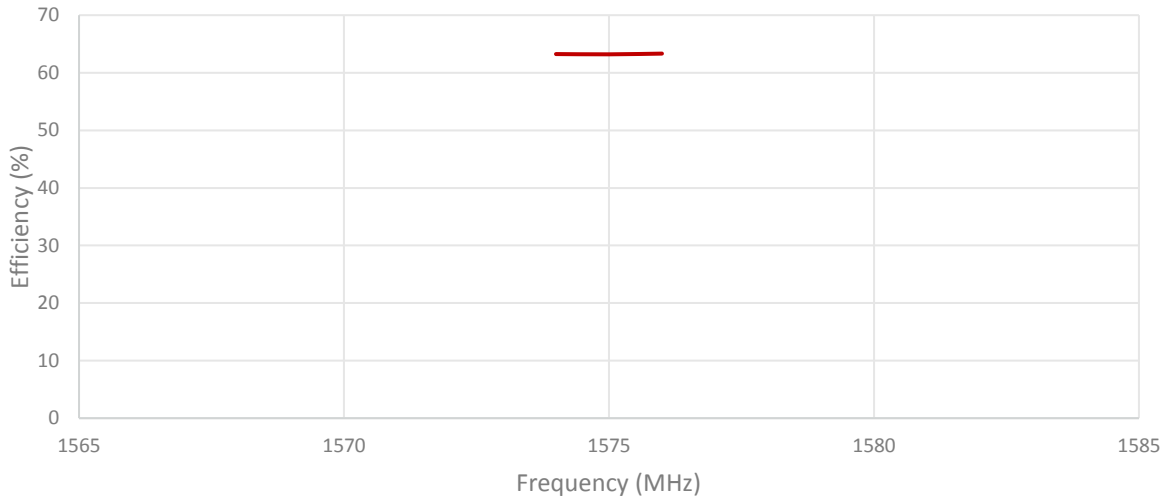
Measured in Certified CTIA 3D Anechoic Chamber

## 2. Mechanical and environmental specifications

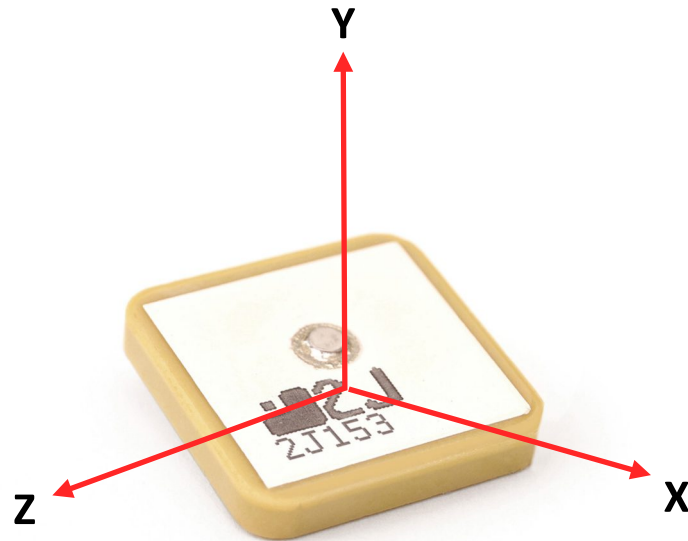
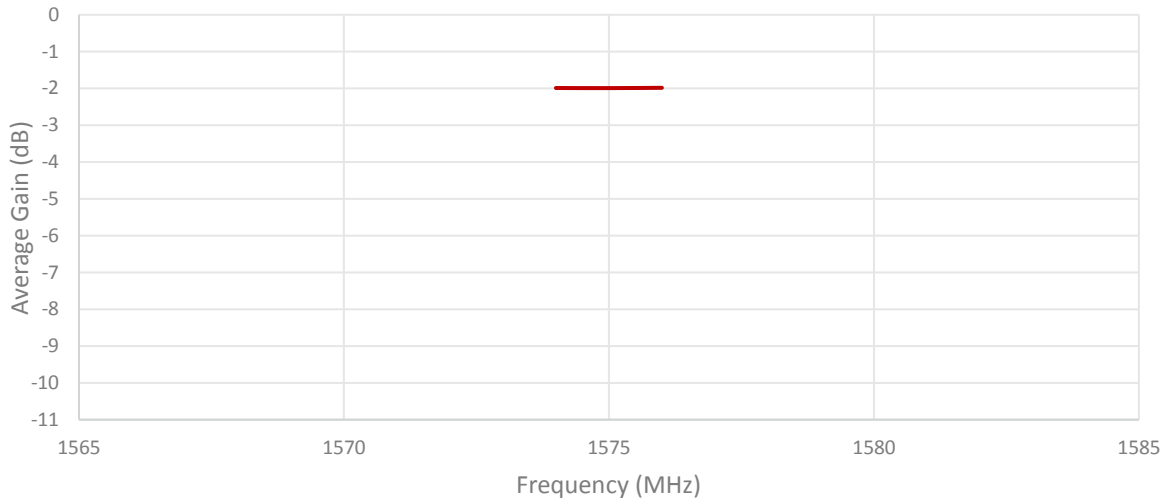
Specifications	2JCP1820101a
Mounting Type	Thru-Hole Mount
Adhesive	Nitto 5000NS
Dimensions (mm)	18.5 x 18.5 x 2
Operating Temperature (C)	-40 to +85
Storage Temperature (C)	-40 to +85
Substance Compliance	RoHS

### 3. Antenna parameters

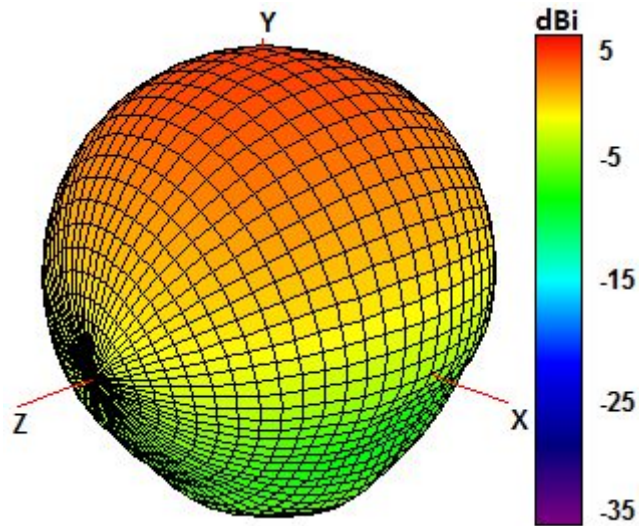








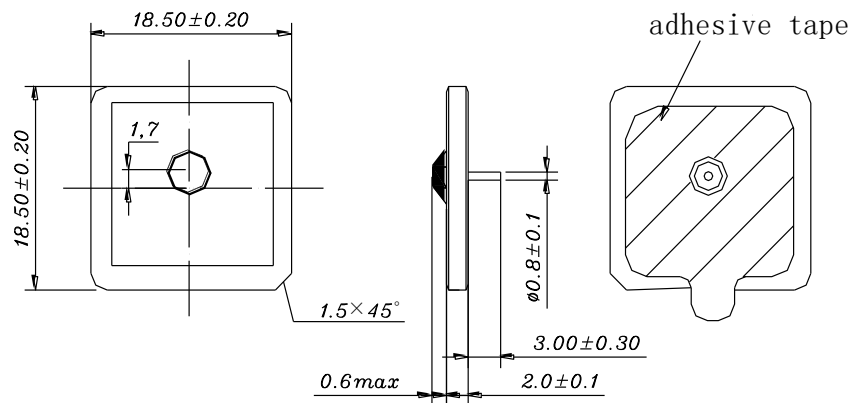
Radiation pattern reference



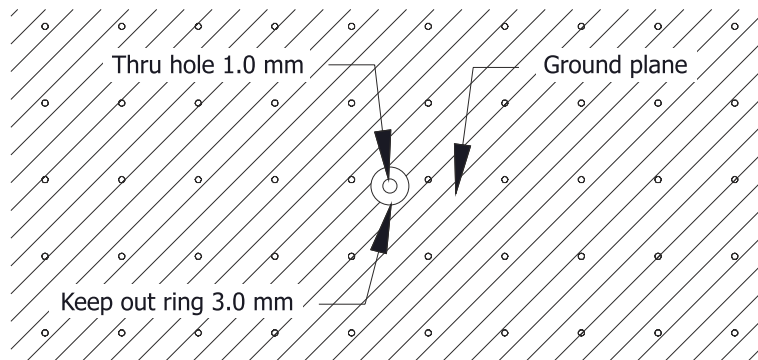
1575 MHz Radiation pattern

## 4. Antenna drawings

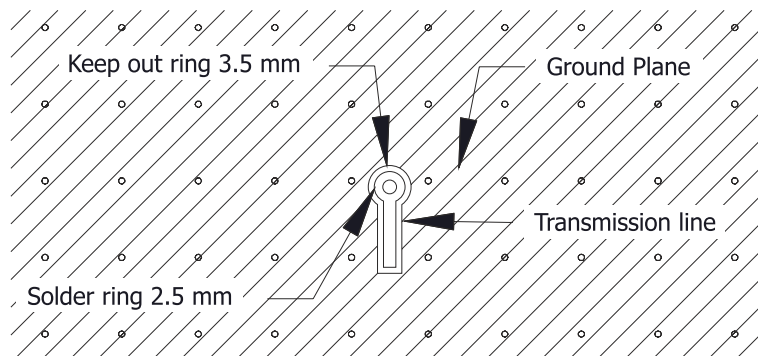
Patch Dimensions



Layout for top layer



Layout for bottom layer



## 5. Antenna Images

