

2JB02M

Magnetic Mount Bracket

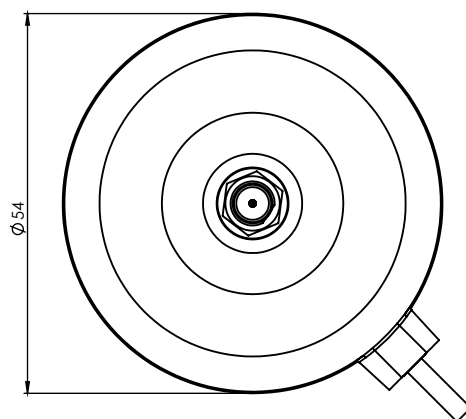
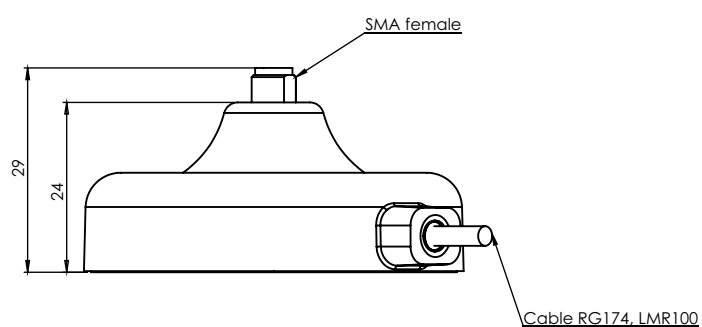
Key Features

Magnetic mount bracket with cable and SMA F connector

- Gasket suitable for magnetic surface
- Suitable for connector mount antenna
- Equipped with RG174 or LL100 cable
- Possible frequency transfer up to 6 GHz
- Robust construction
- Strong magnet for metal surface
- Mounting hole \varnothing 19 mm/square 15x15 mm



2. Bracket drawings



3. Bracket Images

