

# 2J7C01MC3F

## GNSS/L1L5 Magnetic Mount

### Key Features

GPS/GLONASS/BeiDou/QZSS/Galileo/  
IRNSS/SBAS/L1L5

- 1176 and 1561-1606 MHz

High Precision Navigation

Magnetic Mount

Low Profile

28 dB Gain

Pre-Filter

Low Noise Figure

Low Power Consumption

Ground Plane Independent

Customizable Cable and Connector

Dimensions  $\varnothing 54 \times 21.5$  mm

Certificates: IP67, IP69



## 1. Antenna and electrical specifications

Cable 1

Parameters	GNSS Active Antenna	
<b>Technologies</b>	GPS/Glonass/Beidou/QZSS/Galileo/IRNSS/SBAS/L1L5	
<b>Bandwidth (MHz)</b>	1176	1561-1606
<b>Bands</b>	L5	L1
<b>Frequency (MHz)</b>	1176.45	1561.09, 1575.42, 1602.00
<b>Standards</b>	GPS(L5), BeiDou(B2a, QZSS(L5), Galileo(E5a), IRNSS(L5)	GPS(L1C), GLONAS(L1OF), BeiDou(B1) QZSS(L1C), Galileo(E1), SBAS (L1)
<b>Return Loss (dB)</b>	~-12.8	~-12.6
<b>VSWR</b>	~1.8:1	~1.6:1
<b>Efficiency (%)</b>	~70.6	~78.6
<b>Passive Peak Gain (dBi)</b>	~5.1	~5.2
<b>Average Gain (dB)</b>	~-1.4	~-1.0
<b>Impedance (Ohms)</b>	50	
<b>Radiation Pattern</b>	Hemispherical	
<b>Axial Ratio (dB)</b>	3dB max	
<b>Polarization</b>	RHCP	
<b>Voltage Range (V)</b>	1.5 - 6	
<b>Active Gain (dB)</b>	28 @ 3V	
<b>Noise Figure (dB)</b>	1.6 @ 3V	
<b>Current Consumption (mA)</b>	16 @ 3V	
<b>Power Consumption (mW)</b>	48 @ 3V	
<b>Saw Filter Type</b>	Pre-Filter	
<b>Out of Band Rejection (dB)</b>	~40	
<b>ESD Protection (kV)</b>	2	
<b>Connector Type</b>	SMA-Male Standard (Other Connectors Available)	
<b>Cable Length</b>	300 cm Standard (Any Cable Length Available)	
<b>Cable Type</b>	LL100 Standard (Other Cables Available)	

### Antenna Measurement Conditions:

Mounted on Ground Plane of 30 x 30 cm

30 cm of Cable LL100

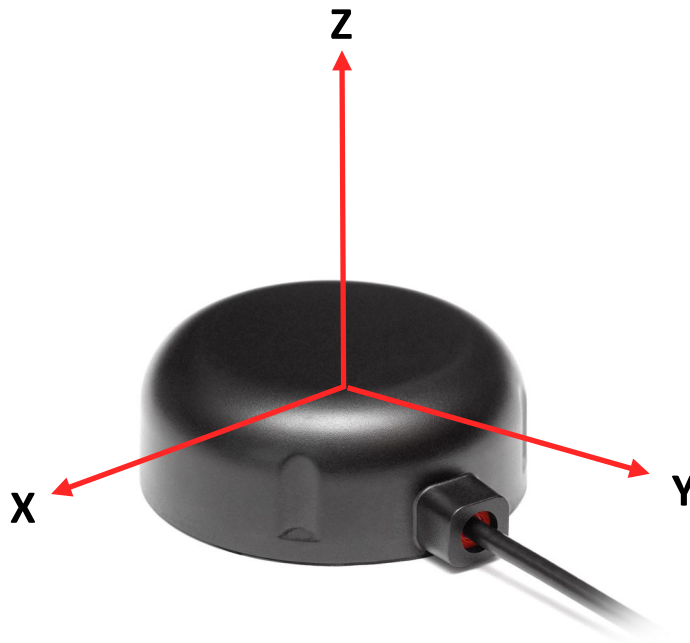
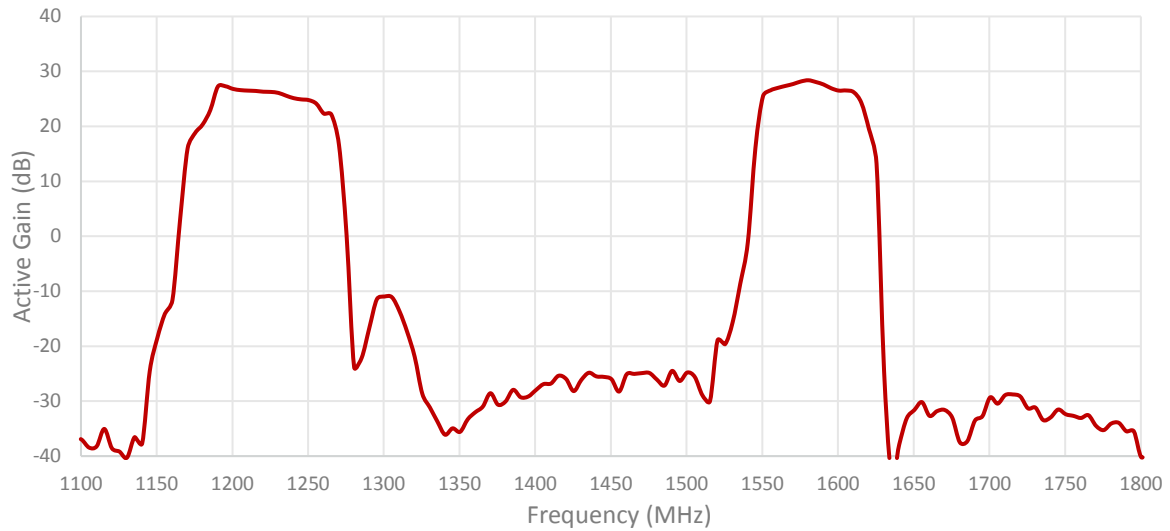
Measured in Certified CTIA 3D Anechoic Chamber

## 2. Mechanical and environmental specifications

Specifications	2J7C01MC3F
<b>Mounting Type</b>	Magnetic Mount
<b>Dimensions (mm)</b>	Ø 54 × 21.5
<b>Radome Type</b>	ASA UV Stable
<b>Radome Color</b>	Black, White
<b>Operating Temperature (C)</b>	-40 to +85
<b>Storage Temperature (C)</b>	-40 to +85
<b>Substance Compliance</b>	RoHS
<b>Certificates</b>	IP67, IP69

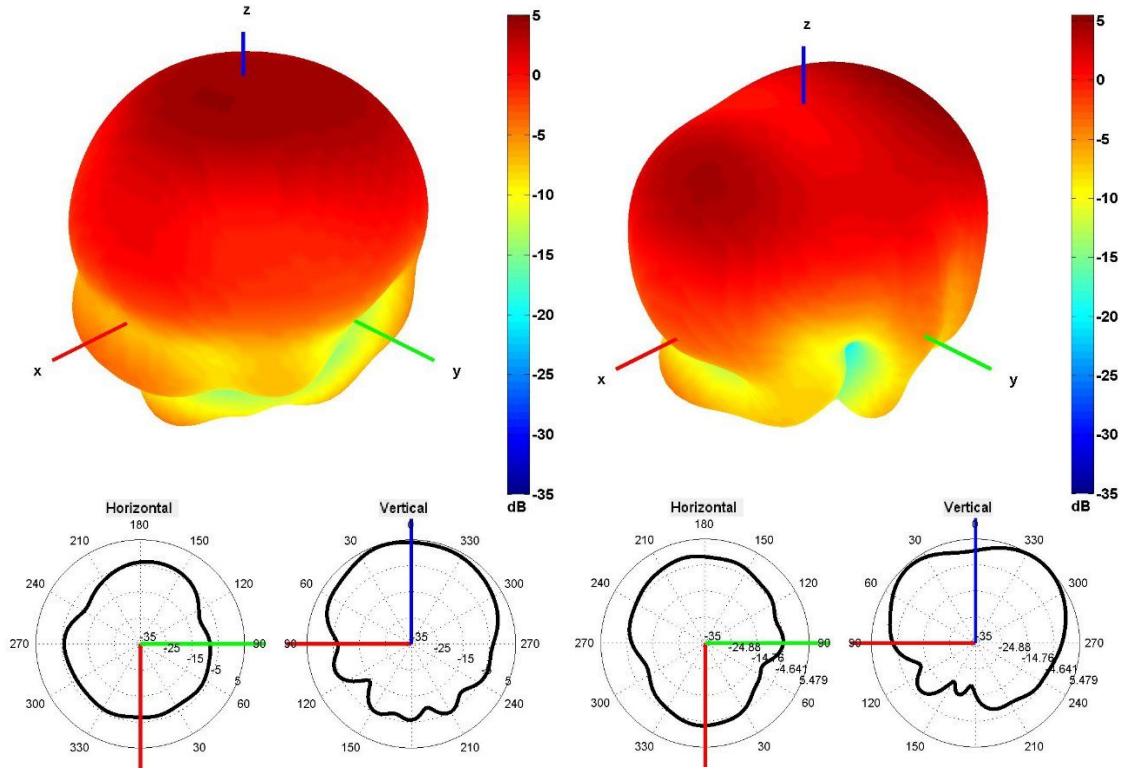
### 3. Antenna parameters

Cable 1: GNSS/L1L5

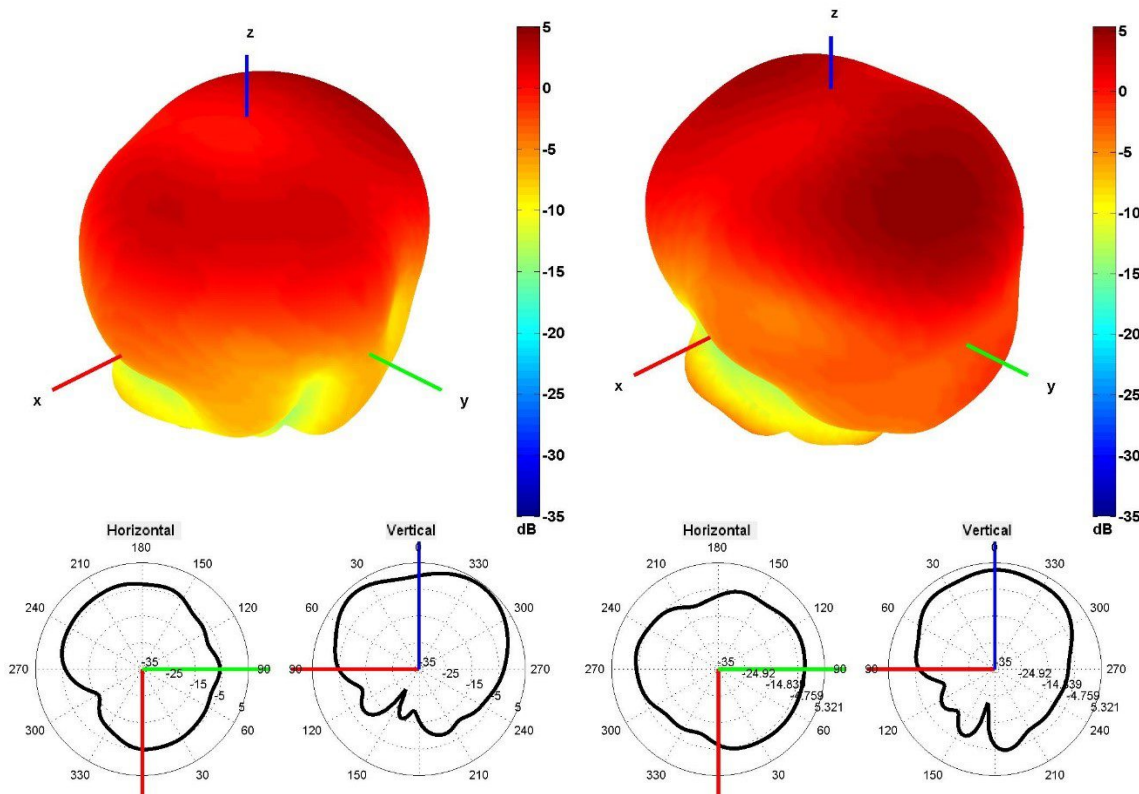


Radiation pattern reference

Cable 1: GNSS/L1L5

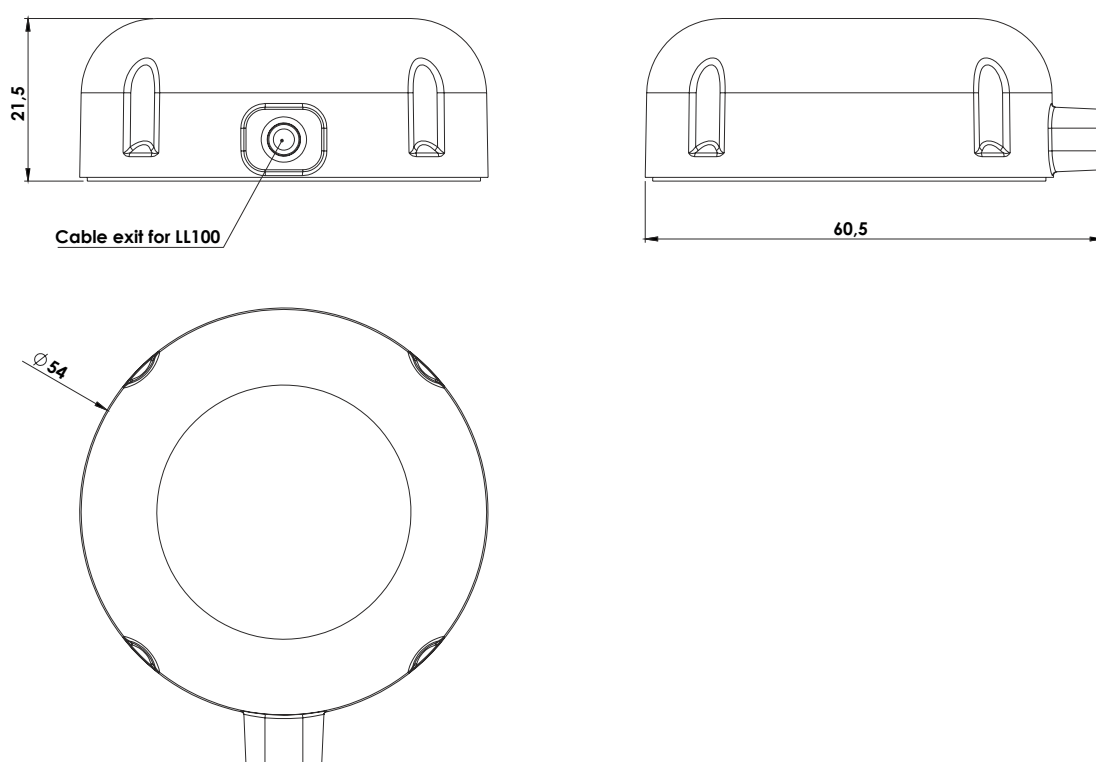


1176 AND 1561 MHz Radiation pattern



1575 AND 1602 MHz Radiation pattern

## 4. Antenna drawings



## 5. Antenna Images

