

2J7790M

LTE450 Magnetic Mount

Key Features

LTE450

- 410-496 MHz

Magnetic Mount

High Performance

Ground Plane Dependent

Customizable Cable and Connector

Dimensions: Ø 54 x 68.2 mm

Certificates: IP67, IP69, IK09



1. Antenna and electrical specifications

Parameters	LTE450 Antenna
Standards	LTE Band 450
Band (MHz)	450 MHz
Frequency (MHz)	410-496
Return Loss (dB)	~-5.1
VSWR	~5.7:1
Efficiency (%)	~33.5
Peak Gain (dBi)	~-2.8
Average Gain (dB)	~-5.3
Impedance (Ohm)	50
Polarisation	Linear
Radiation Pattern	Omni-Directional
Max. Input Power (W)	50
Connector Type	SMA-Male Standard (Other Connectors Available)
Cable Length	300 cm Standard (Any Cable Length Available)
Cable Type	LL100 Standard (Other Cables Available)

Antenna Measurement Conditions:

Mounted on 60 x 60 cm Ground Plane

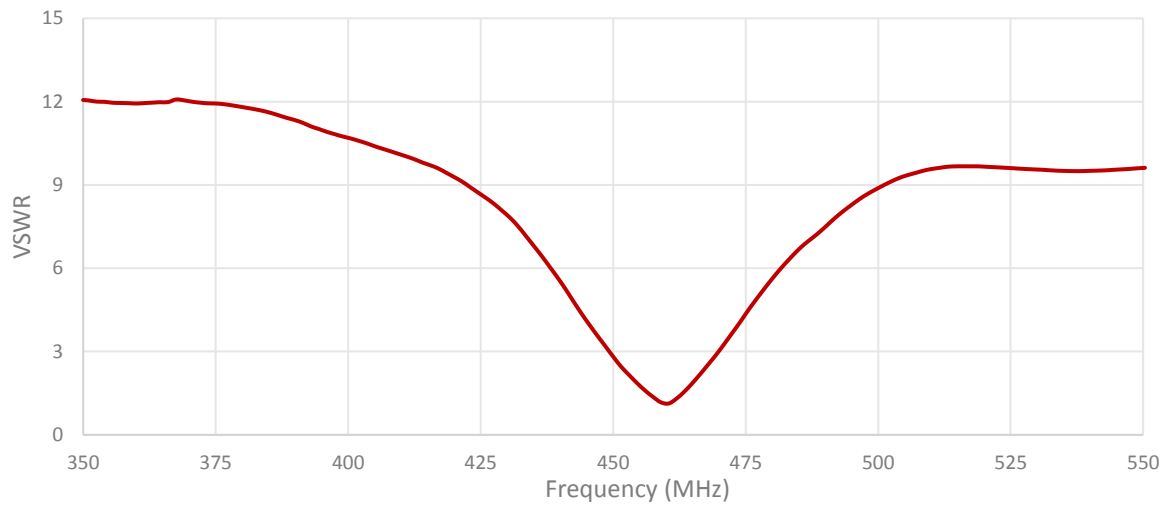
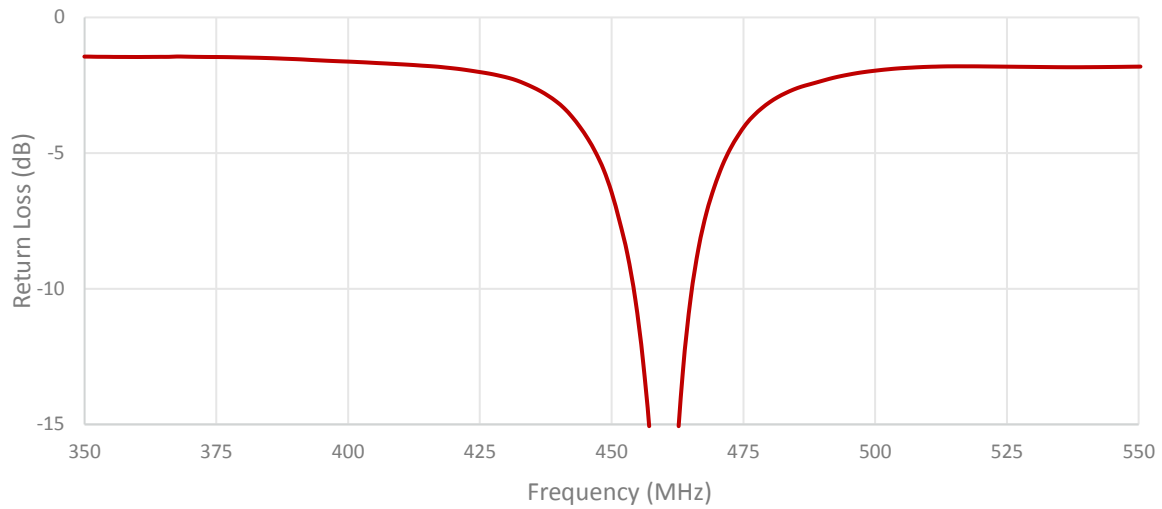
LL100 200 cm Cable Length

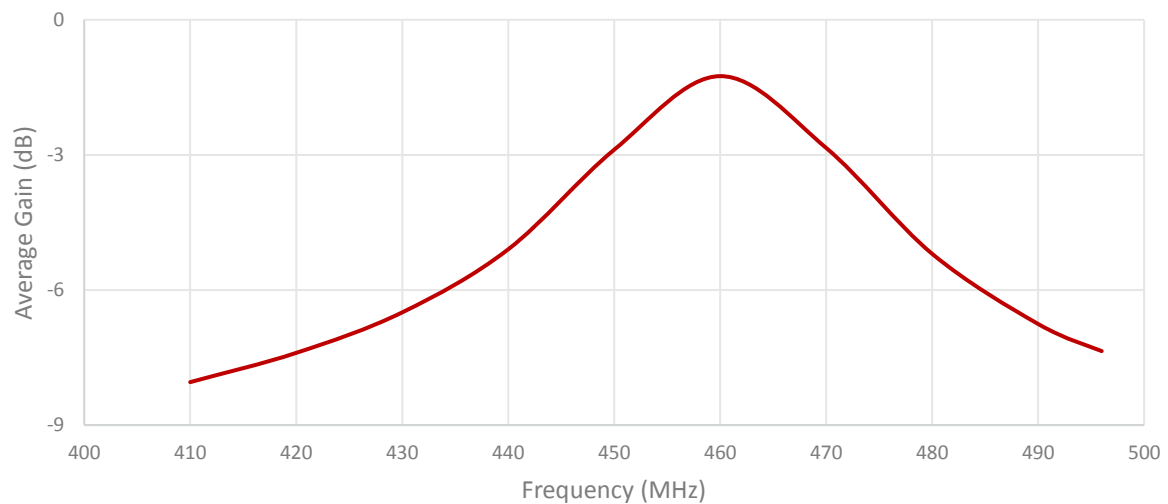
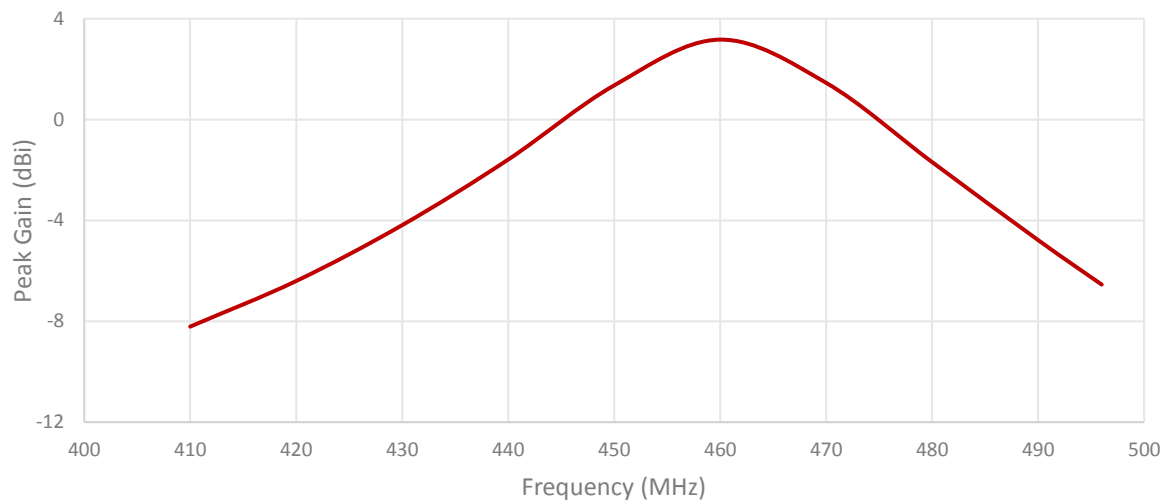
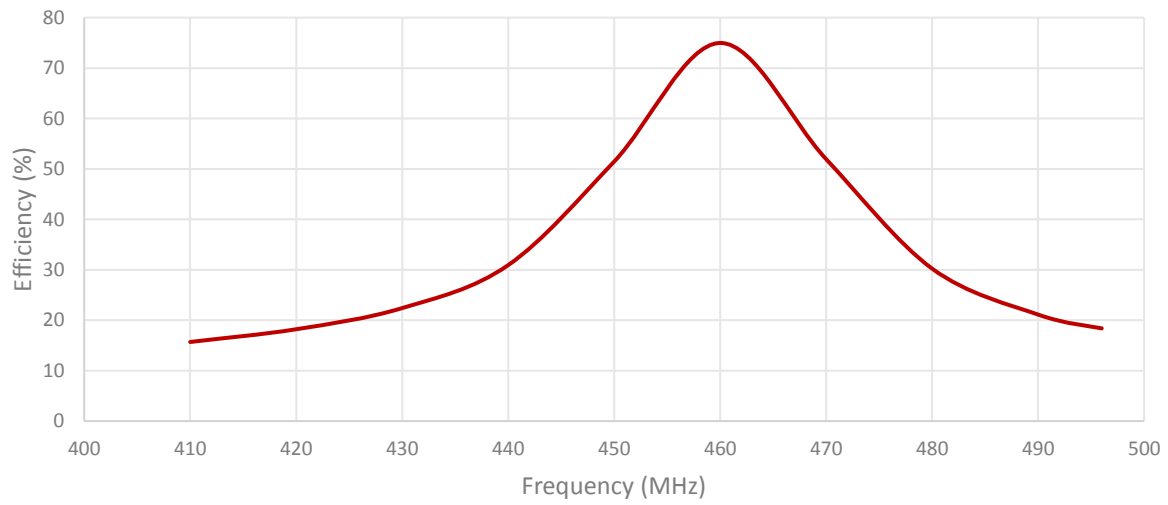
Measured in Certified CTIA 3D Anechoic Chamber

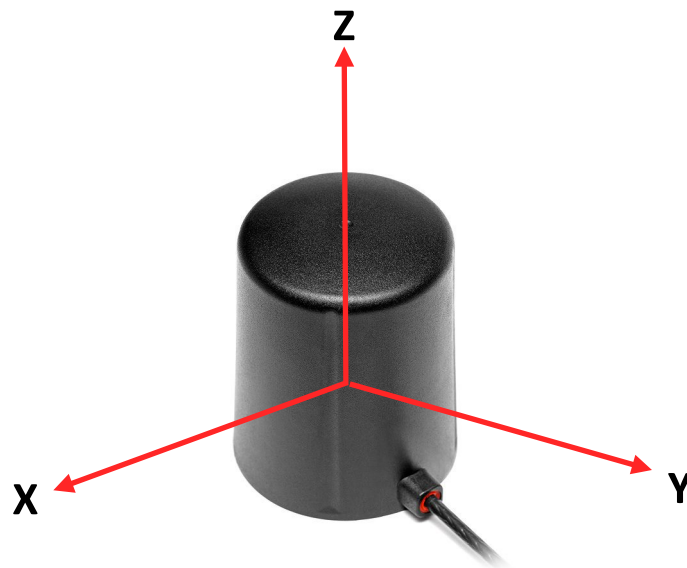
2. Mechanical and environmental specifications

Specifications	2J7790M
Mounting Type	Magnetic Mount
Dimensions (mm)	Ø 54 x 68.2
Radome Type	ASA
Radome Color	Black
Antenna Base	Zamak
Operating Temperature (C)	-40 to +85
Storage Temperature (C)	-40 to +85
Substance Compliance	RoHS
Certificates	IP67, IP69, IK09

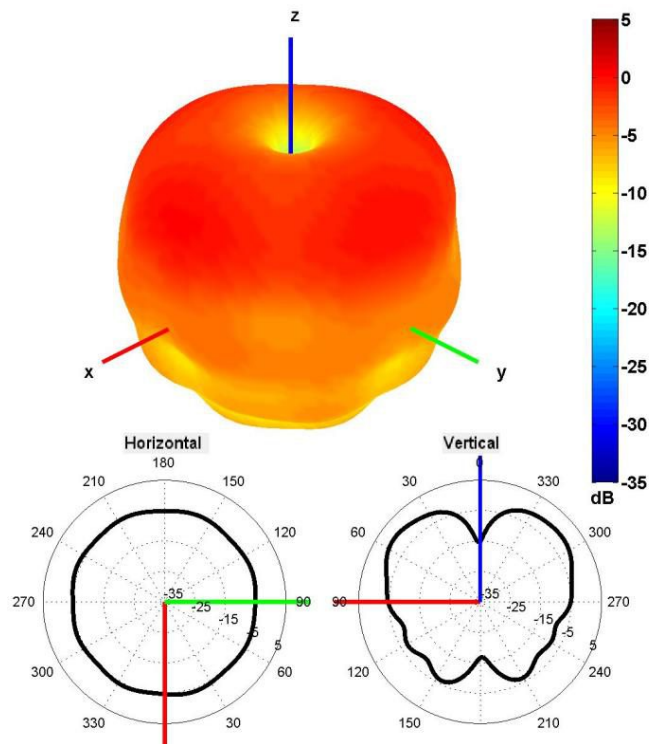
3. Antenna parameters





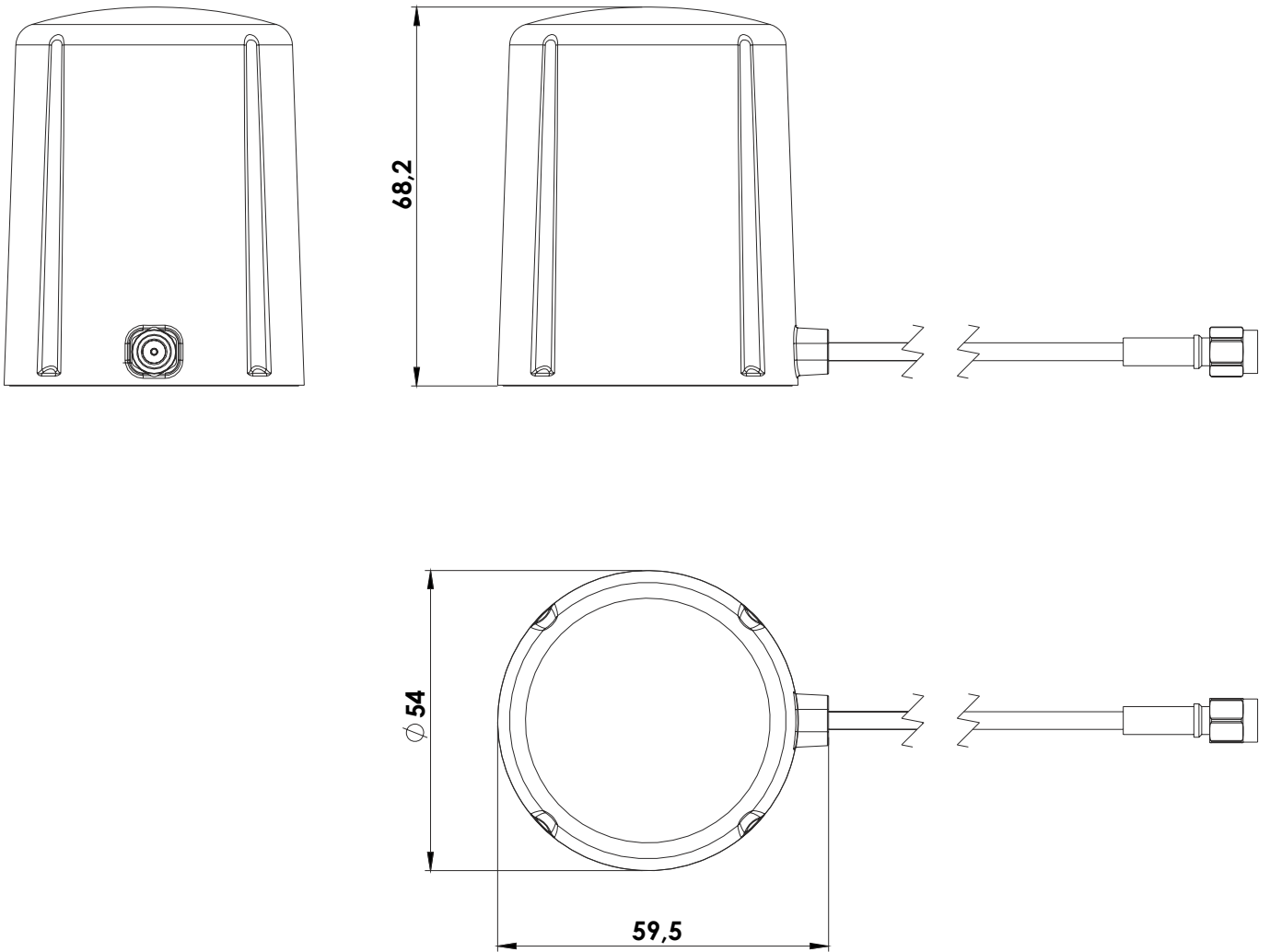


Radiation pattern reference



450 MHz Radiation pattern

4. Antenna drawings



5. Antenna Images

