

## 2J7225MG

169 MHz ISM-ERMES and GPS/GLONASS Magnetic Mount

### Key Features

**Cable 1: 169 MHz ISM-ERMES**

- 169.4-169.8 MHz

**Cable 2: GPS/GLONASS/QZSS/Galileo**

- 1575-1610 MHz

Magnetic Mount

High Performance

Ground Plane Dependent

Customizable Cable and Connector

Dimensions  $\varnothing$  54 x 95.4 mm

Certificates: IP67, IP69



## 1. Antenna and electrical specifications

Cable 1

Parameters	169 MHz ISM Antenna
<b>Standards</b>	ERMES, ISM, VHF
<b>Band (MHz)</b>	169 MHz
<b>Frequency (MHz)</b>	169.4-169.8
<b>Return Loss (dB)</b>	~-11.7
<b>VSWR</b>	~1.7:1
<b>Peak Gain (dBi)</b>	~0
<b>Impedance (Ohm)</b>	50
<b>Polarisation</b>	Linear
<b>Radiation Pattern</b>	Omni-Directional
<b>Max. Input Power (W)</b>	25
<b>Connector Type</b>	SMA-Male Standard (Other Connectors Available)
<b>Cable Length</b>	300 cm Standard (Any Cable Length Available)
<b>Cable Type</b>	RG174 Standard (Other Cables Available)

Cable 2

Parameters	GPS/GLONASS Antenna	
<b>Standard</b>	GPS/QZSS/Galileo	GLONASS
<b>Band (MHz)</b>	1575	1602
<b>Frequency(MHz)</b>	1575.42	1598-1610
<b>Return Loss (dB)</b>	<-15	
<b>VSWR</b>	<1.4:1	
<b>Impedance</b>	50	
<b>Radiation Pattern</b>	Hemispherical	
<b>Polarization</b>	RHCP	
<b>Saw Filter</b>	No-Filter	
<b>Active Gain (dB)</b>	26 @ 3V / 27dB @ 5V	
<b>Noise Figure (dB)</b>	1.5	
<b>Voltage (V)</b>	2.7 – 5.5	
<b>Current (mA)</b>	15 - 25	
<b>Power Consumption (mW)</b>	40 - 137	
<b>Connector Type</b>	SMA-Male Standard (Other Connectors Available)	
<b>Cable Length</b>	300 cm Standard (Any Cable Length Available)	
<b>Cable Type</b>	RG174 Standard (Other Cables Available)	

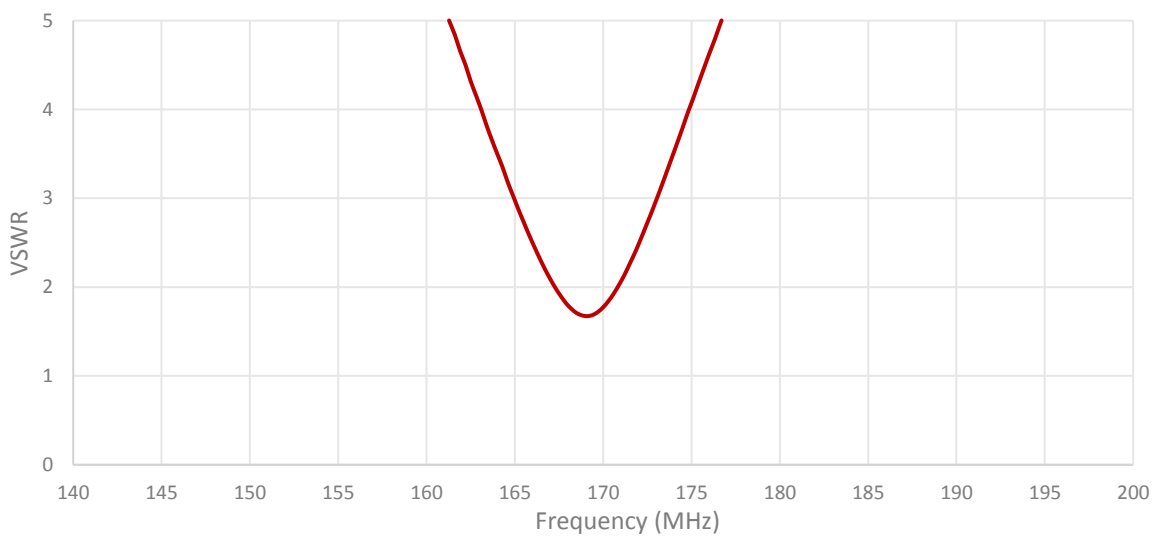
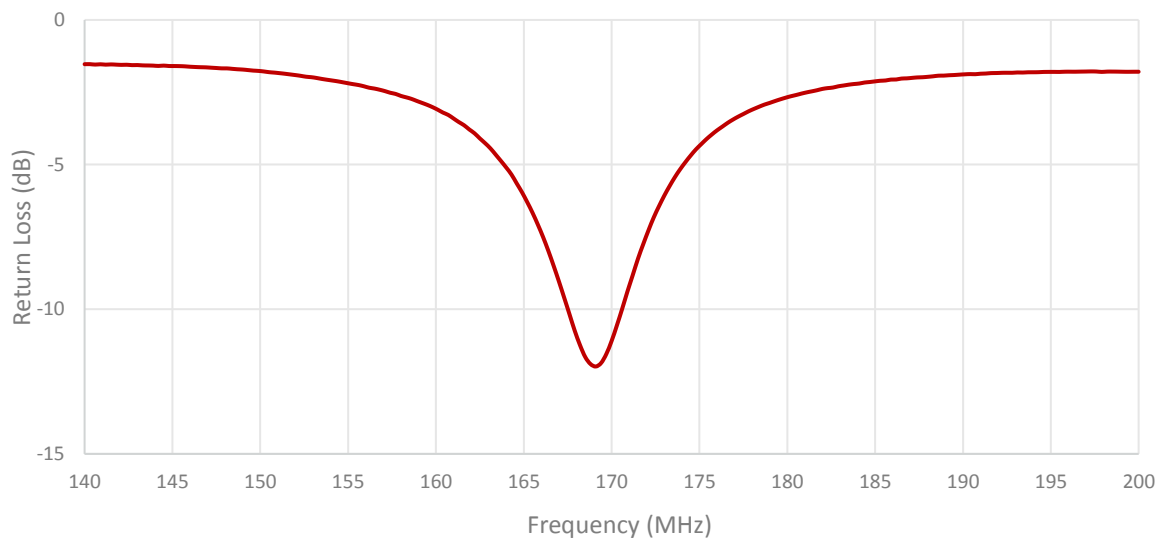
**Antenna Measurement Conditions:**

Mounted on 30 x 30 cm Metal Plate  
200 cm Cable Length RG174

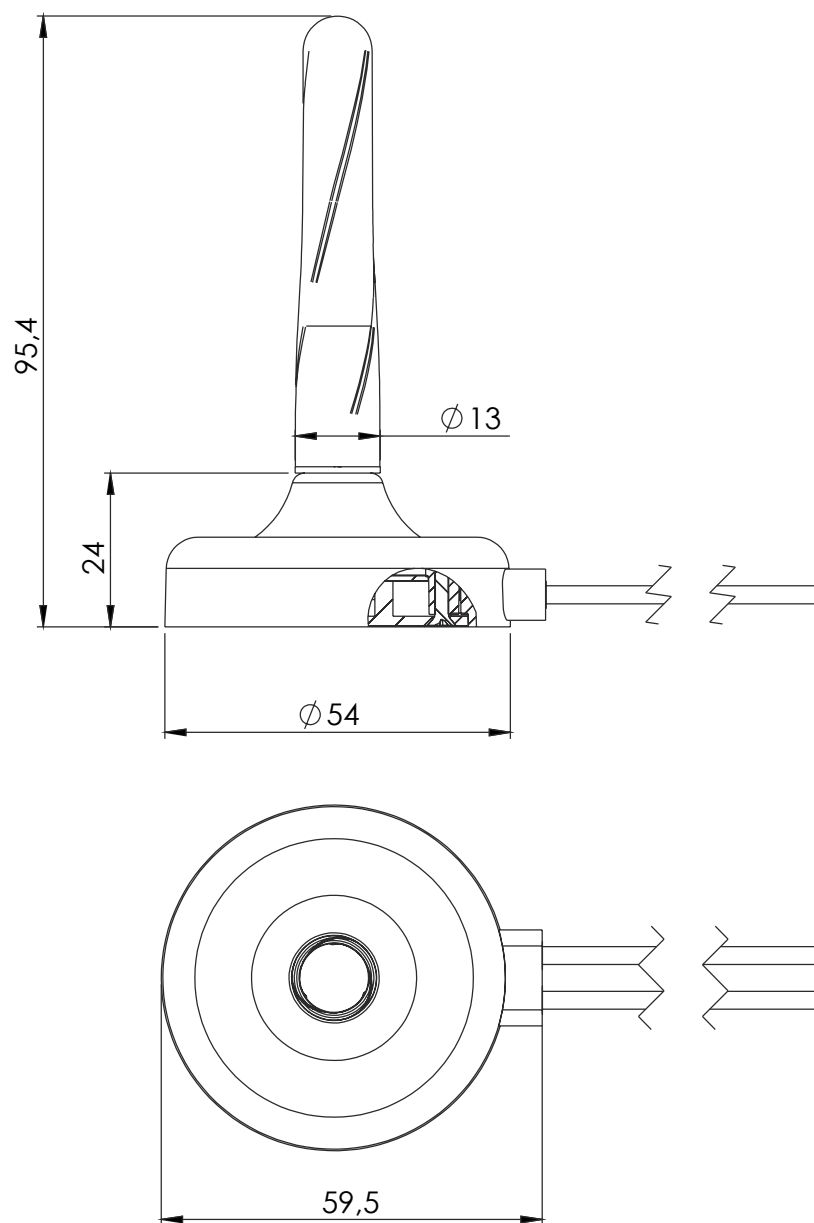
## 2. Mechanical and environmental specifications

Specifications	2J7225MG
<b>Mounting Type</b>	Magnetic Mount
<b>Dimensions (mm)</b>	Ø 54 × 95.4
<b>Radome</b>	ASA
<b>Radome color</b>	Black
<b>Antenna Base</b>	Zamak
<b>Gasket</b>	TPE
<b>Operating Temperature (C)</b>	-40 to +85
<b>Storage Temperature (C)</b>	-40 to +85
<b>Substance Compliance</b>	RoHS
<b>Certificates</b>	IP67

### 3. Antenna parameters



## 4. Antenna drawings



## 5. Antenna Images

