

2J6A15B

868/915 MHz ISM Screw Mount

Key Features

868/915 MHz ISM

- 863-870 MHz

- 902-928 MHz

Screw Mount

Anti-Rotation Mechanism

High Gain

Ground Plane Dependent

IP67, IK09, IP69K

Dimensions Ø 77.3 × 65.5 mm



1. Antenna and electrical specifications

Cable 1

Parameters	868/915 MHz ISM Antenna	
Standards	ZigBee, ISM, SigFox, LoRa	
Band (MHz)	868	915
Frequency (MHz)	863-870	902-928
Return Loss (dB)	~-17.3	~-15.0
VSWR	~1.3:1	~1.5:1
Efficiency (%)	~61.8	~56
Peak Gain (dBi)	~-2.6	~-2.7
Average Gain (dB)	~-2.1	~-2.7
Impedance (Ohm)	50	
Polarisation	Linear	
Radiation Pattern	Omni-Directional	
Max. Input Power (W)	25	
Connector Type	SMA-Male Standard (Other Connectors Available)	
Cable Length	300 cm Standard (Any Cable Length Available)	
Cable Type	RG174 Standard (Other Cables Available)	

Antenna Measurement Conditions:

Mounted on Ground Plane of 30x30 cm

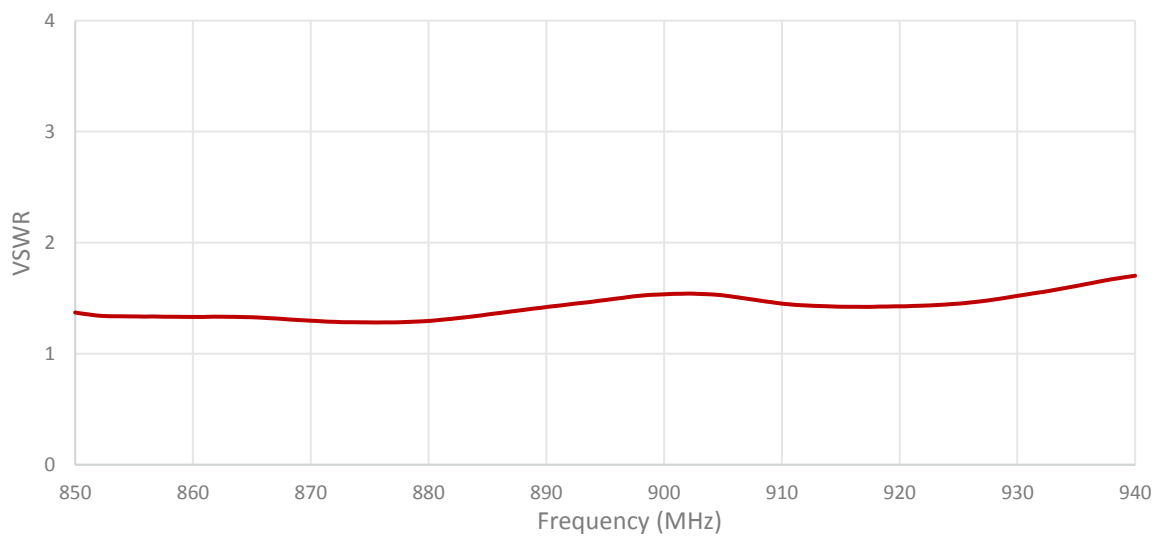
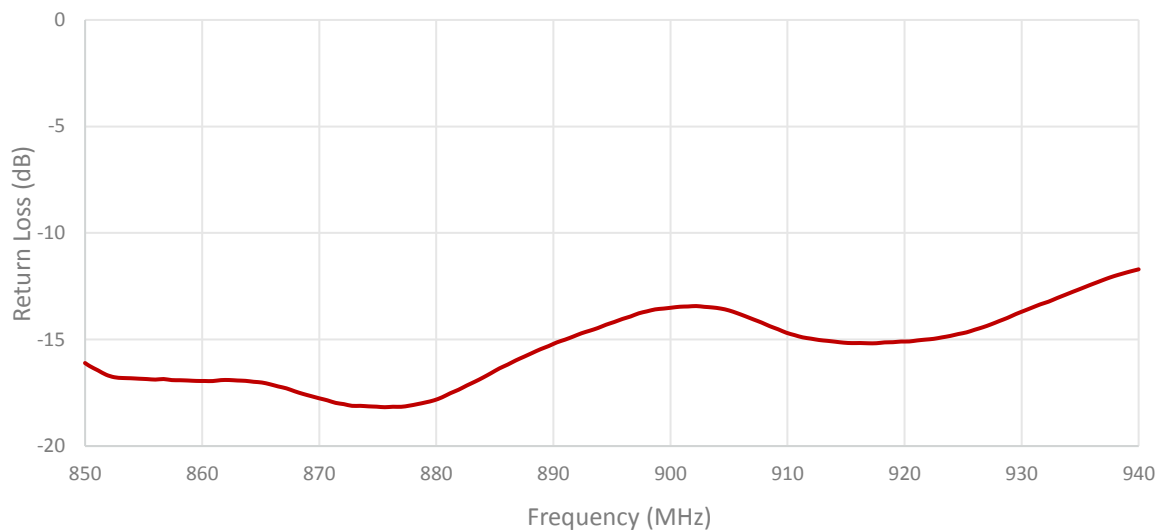
200 cm Cable Length of RG174

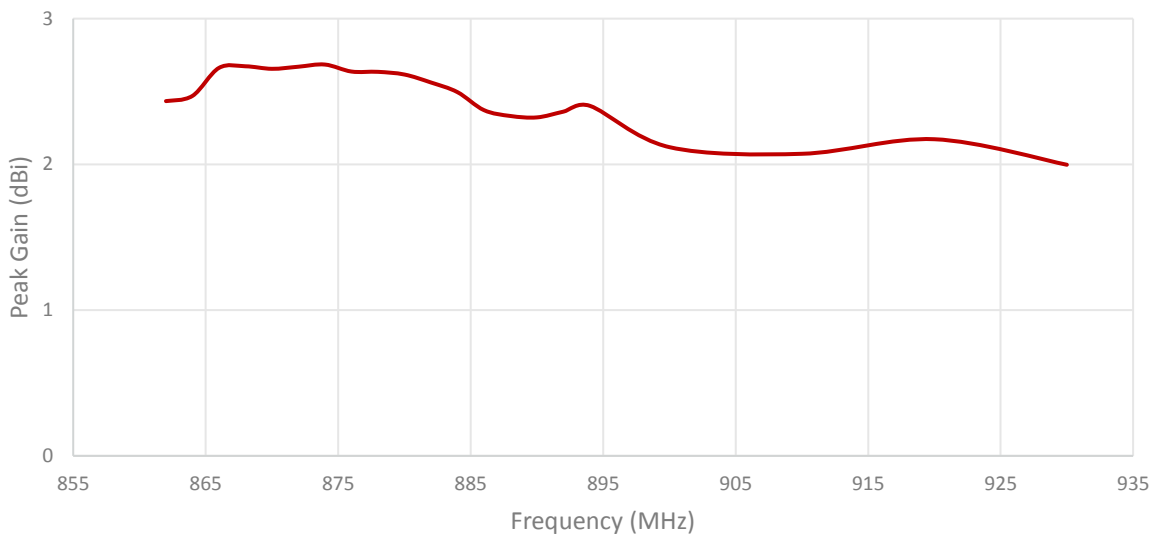
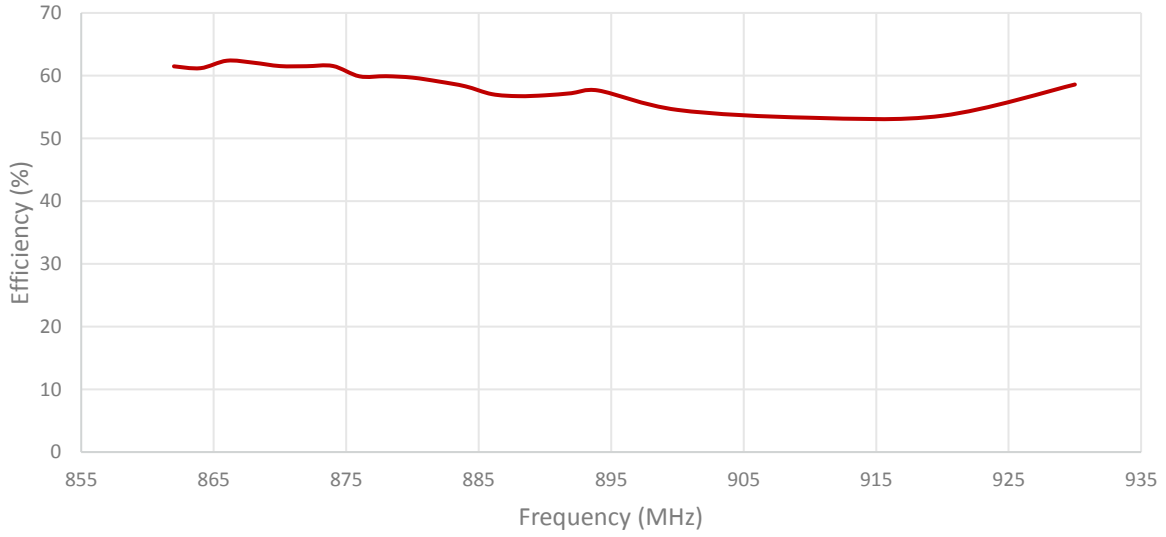
Measured in Certified CTIA 3D Anechoic Chamber

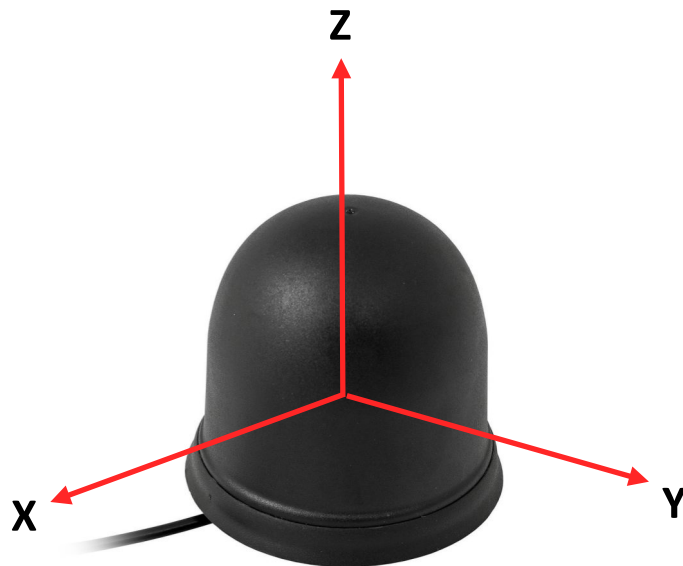
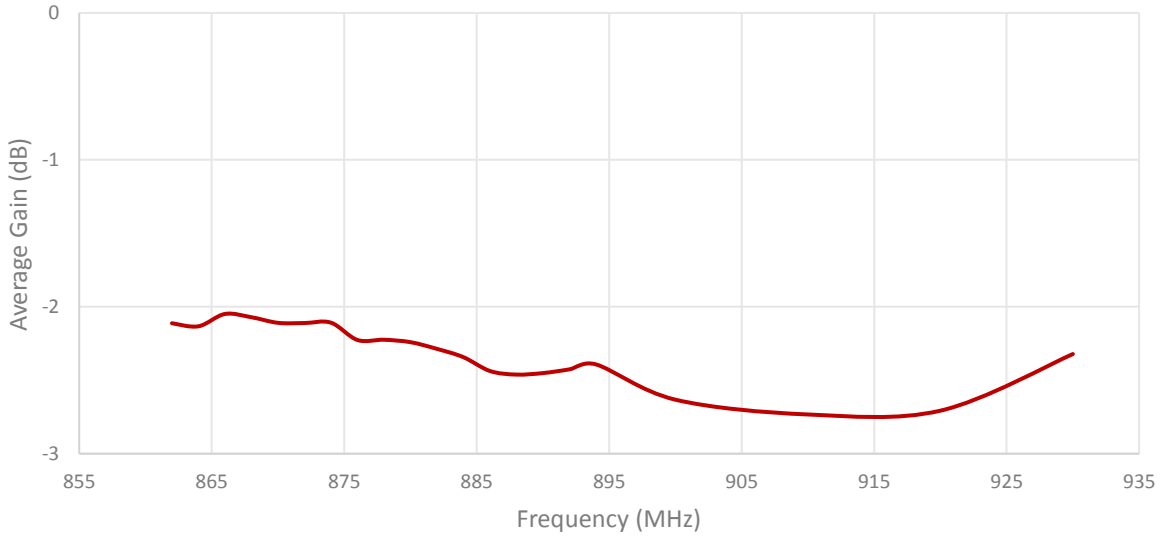
2. Mechanical and environmental specifications

Specifications	2J6A15B
Mounting Type	Screw Mount
Dimensions (mm)	Ø 77.3 x 65.5
Max. Tighten Torque (Nm)	6 Nm
Radome	ASA
Radome color	Black
Operating Temperature (C)	-40 to +85
Storage Temperature (C)	-40 to +85
Substance Compliance	RoHS
Certificates	IP67, IK09, IP69K

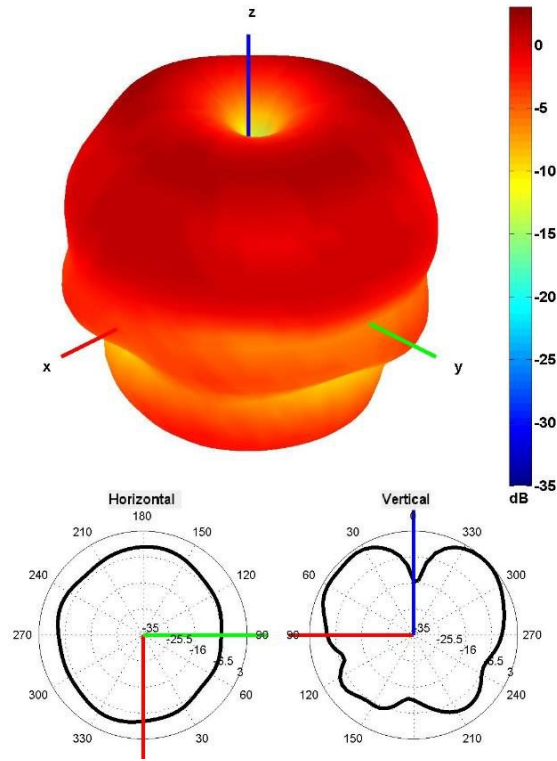
3. Antenna parameters



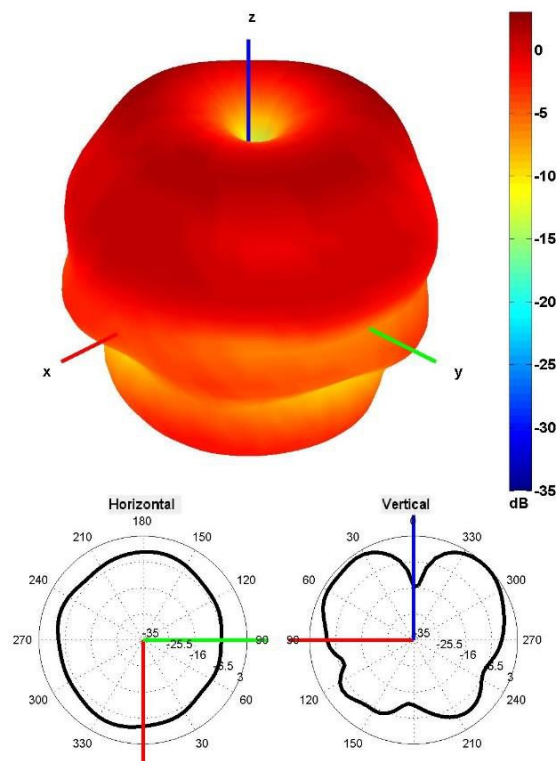




Radiation pattern reference

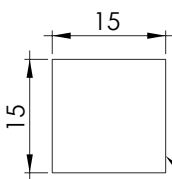
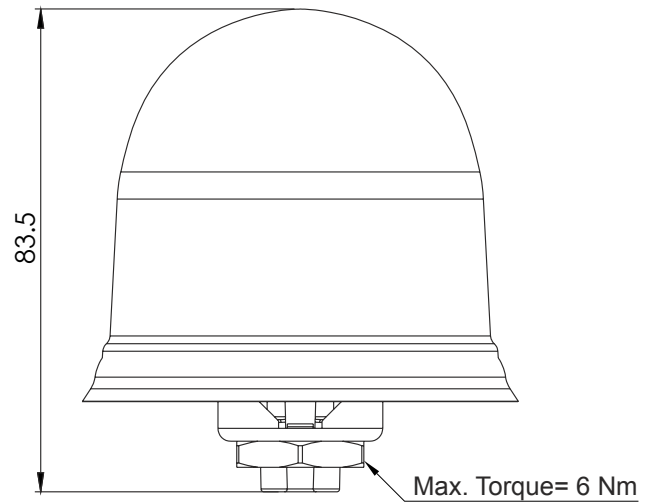
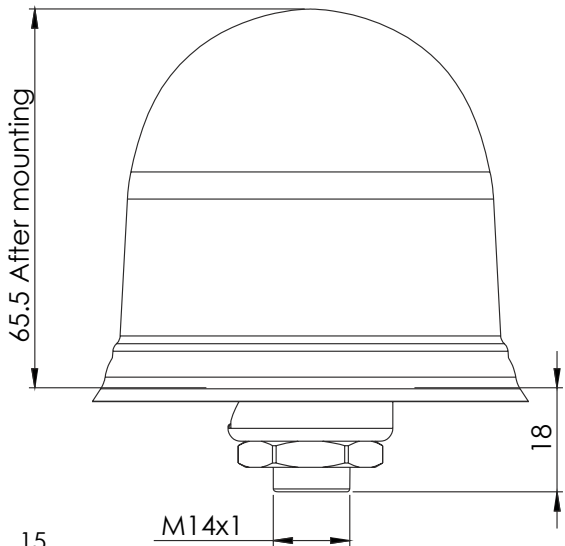
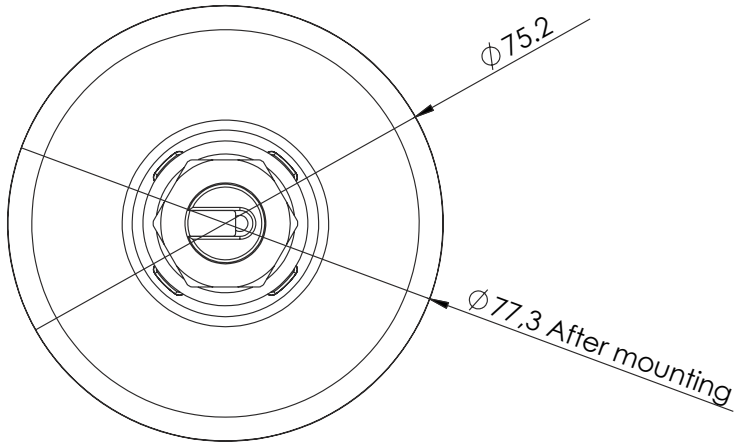


868 MHz Radiation pattern

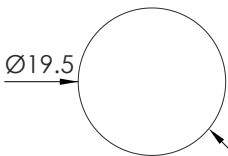


915 MHz Radiation pattern

4. Antenna drawings



Option 1:
15×15 mm Mounting Hole



Option 2:
 $\phi 19.5$ mm Mounting Hole

Note: Dimensions are in millimeters
*Dimensions are after mounting
**Max. Torque= 6 Nm

5. Antenna Images

