

# 2J6A15B-868

868 MHz ISM Screw Mount

## Key Features

**868 MHz ISM**

- 863-870 MHz

Screw Mount

Anti-Rotation Mechanism

High Gain

Ground Plane Dependent

IP67, IK09, IP69K

Dimensions  $\varnothing 77.3 \times 65.5$  mm



## 1. Antenna and electrical specifications

Parameters	868 MHz ISM Antenna
<b>Standards</b>	ZigBee, ISM, SIGFOX, LoRa
<b>Band (MHz)</b>	868 MHz
<b>Frequency (MHz)</b>	863-870
<b>Return Loss (dB)</b>	~-17.3
<b>VSWR</b>	~1.3:1
<b>Efficiency (%)</b>	~61.8
<b>Peak Gain (dBi)</b>	~2.6
<b>Average Gain (dB)</b>	~-2.1
<b>Impedance (Ohm)</b>	50
<b>Polarisation</b>	Linear
<b>Radiation Pattern</b>	Omni-Directional
<b>Max. Input Power (W)</b>	50
<b>Connector Type</b>	Most RF Connectors (SMA-Male Standard)
<b>Cable Length</b>	Any Cable Length (300 cm Standard)
<b>Cable Type</b>	Other Cables Available (RG174 Standard)

### Antenna Measurement Conditions:

Mounted on Ground Plane of 30x30 cm

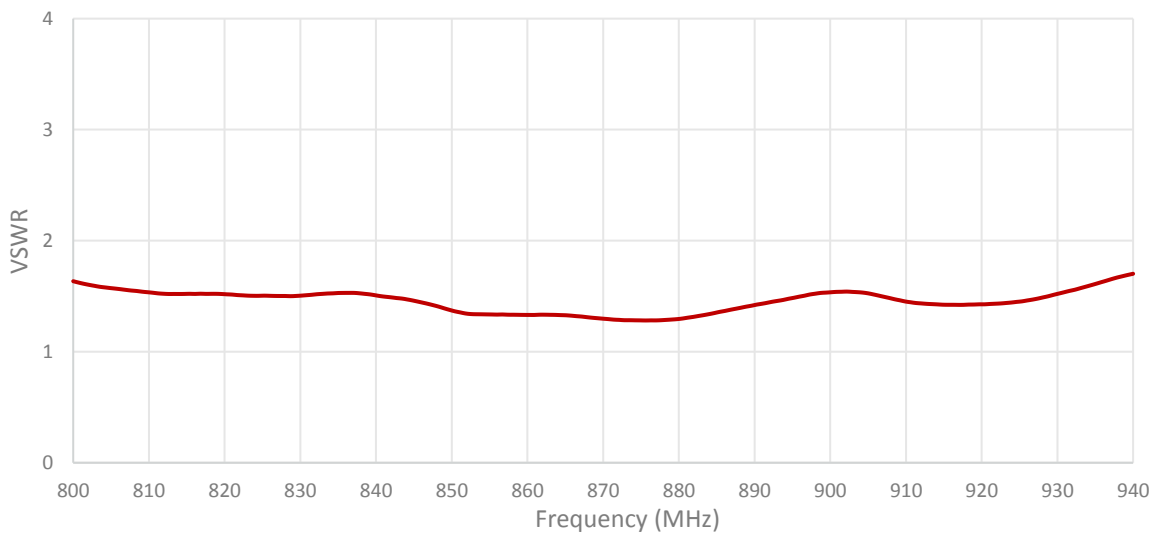
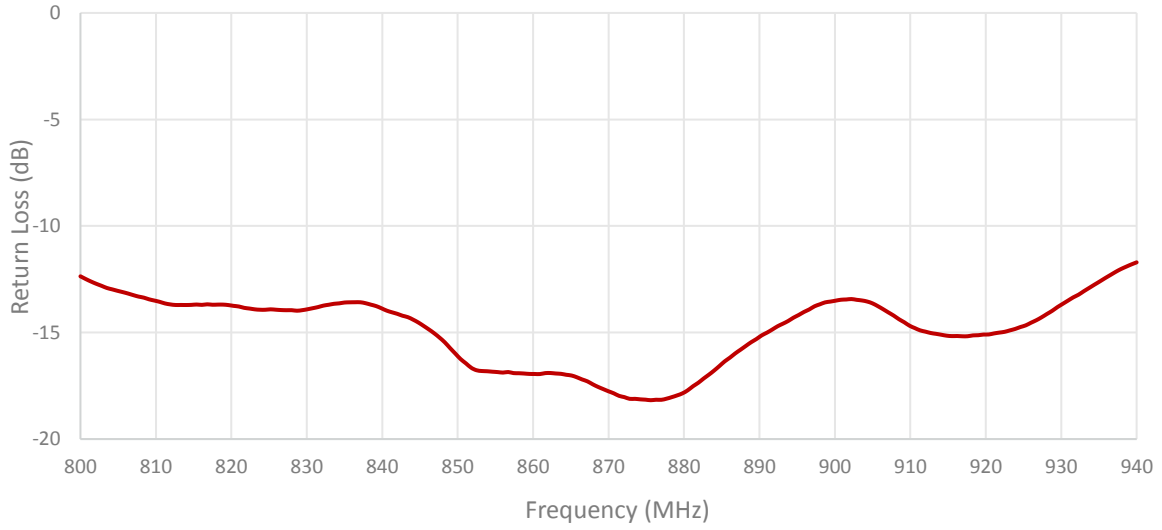
200 cm Cable Length of RG174

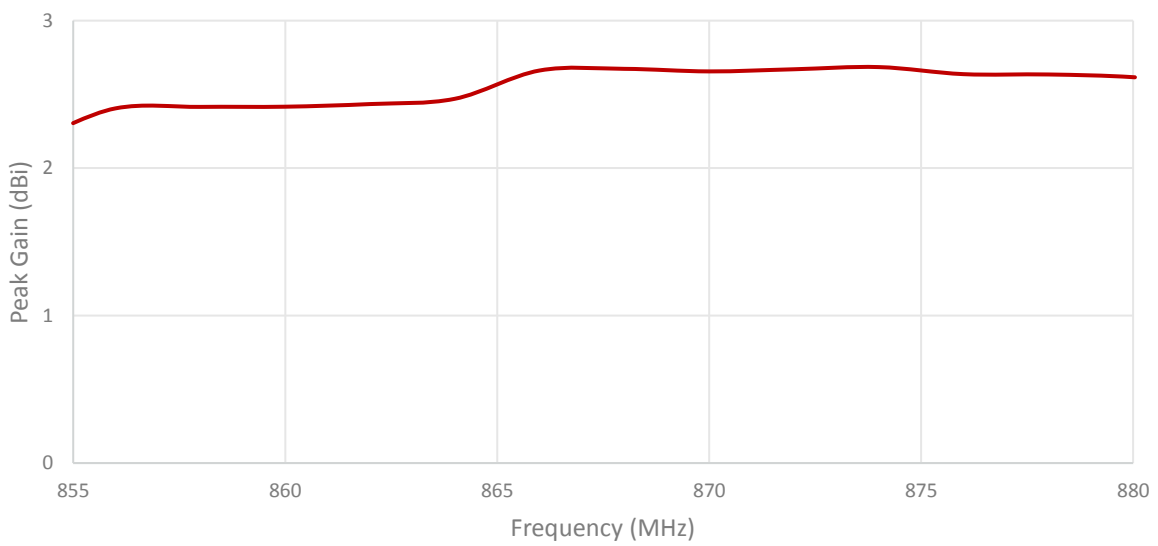
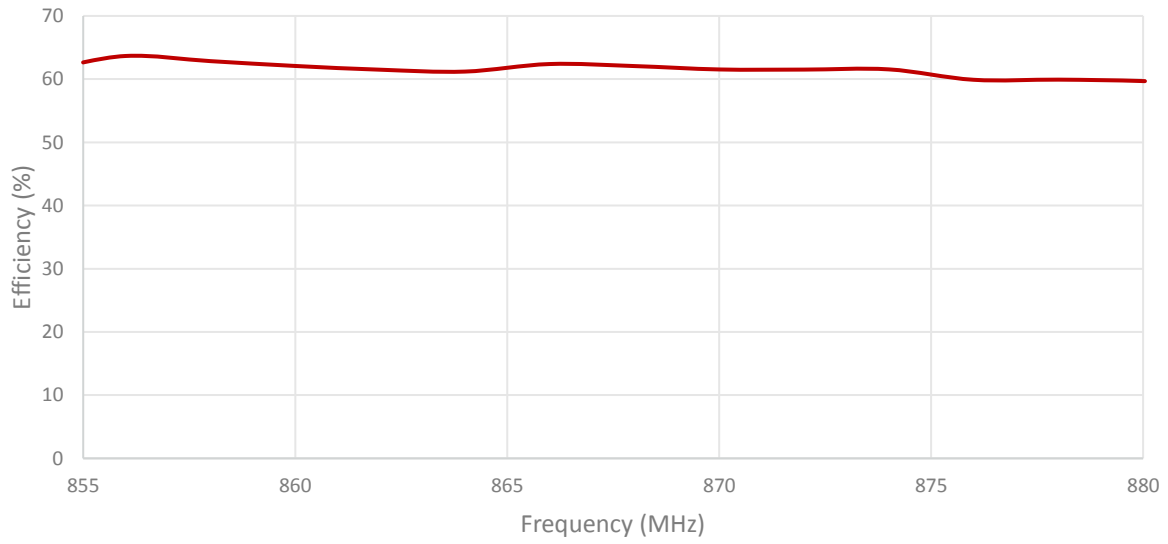
Measured in Certified CTIA 3D Anechoic Chamber

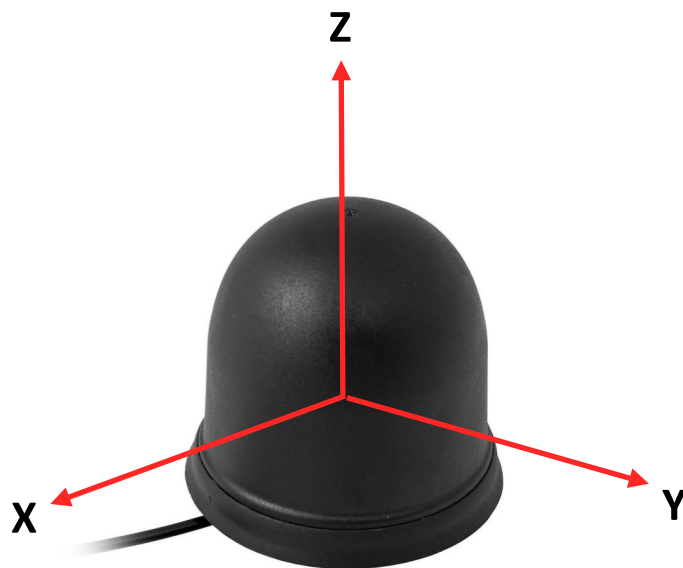
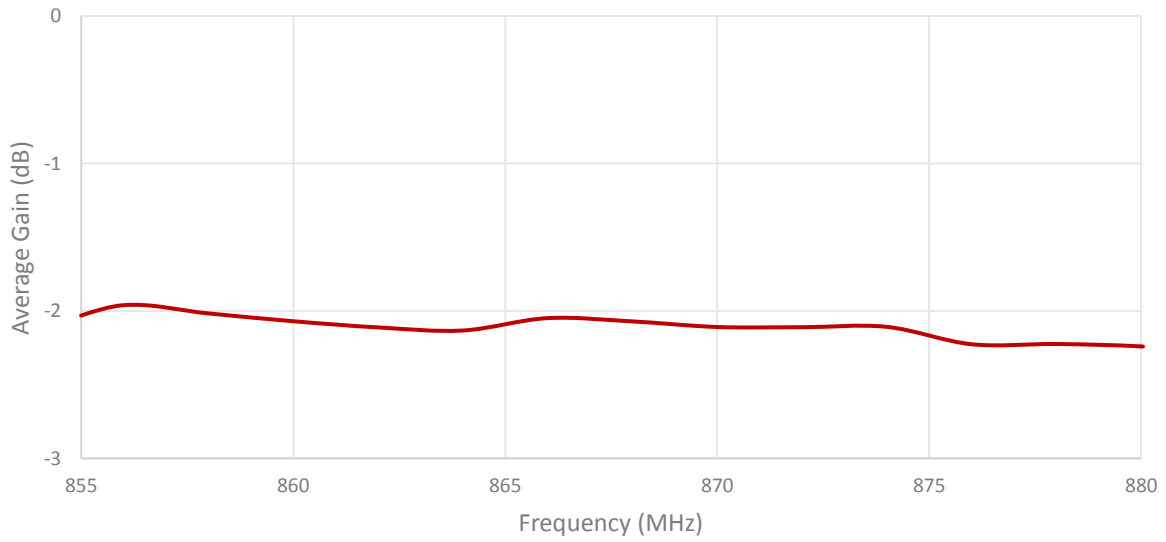
## 2. Mechanical and environmental specifications

Specifications	2J6A15B-868
<b>Mounting Type</b>	Screw Mount
<b>Dimensions (mm)</b>	Ø 77.3 x 65.5
<b>Max. Tighten Torque (Nm)</b>	6 Nm
<b>Radome</b>	ASA
<b>Radome color</b>	Black
<b>Antenna Base</b>	Zamak
<b>Gasket</b>	TPE
<b>Operating Temperature (C)</b>	-40 to +85
<b>Storage Temperature (C)</b>	-40 to +85
<b>Substance Compliance</b>	RoHS
<b>Certificates</b>	IP67, IK09, IP69K

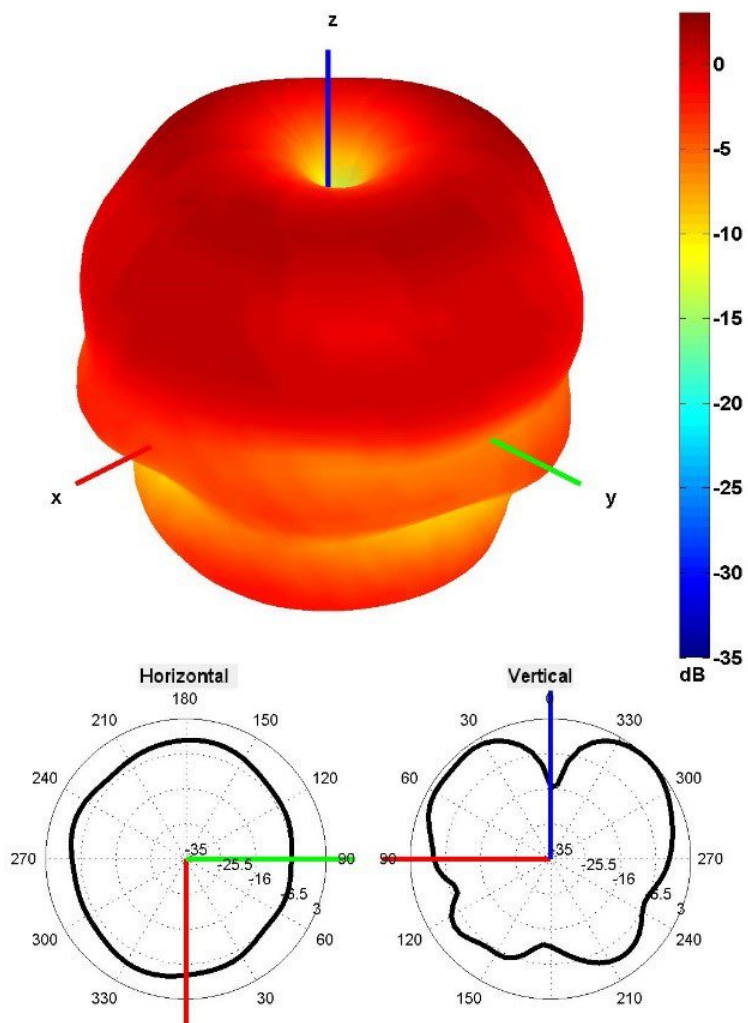
### 3. Antenna parameters





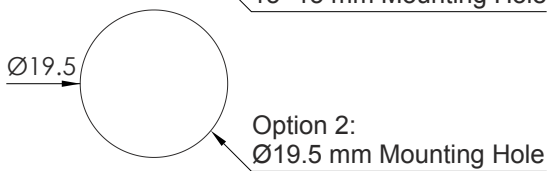
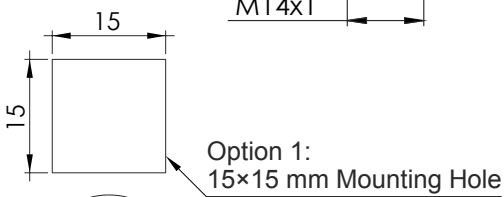
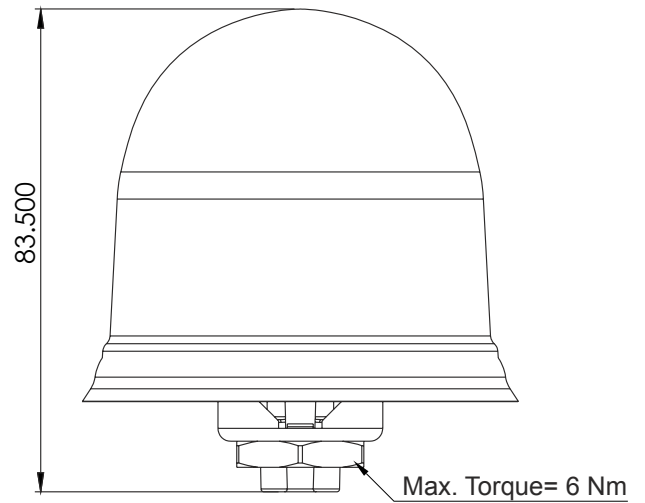
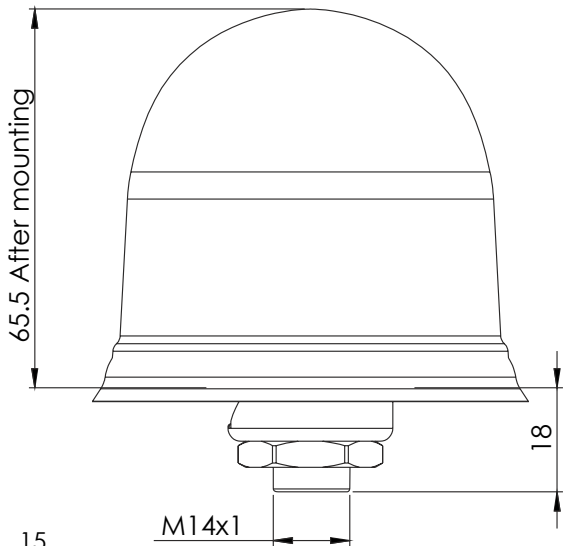
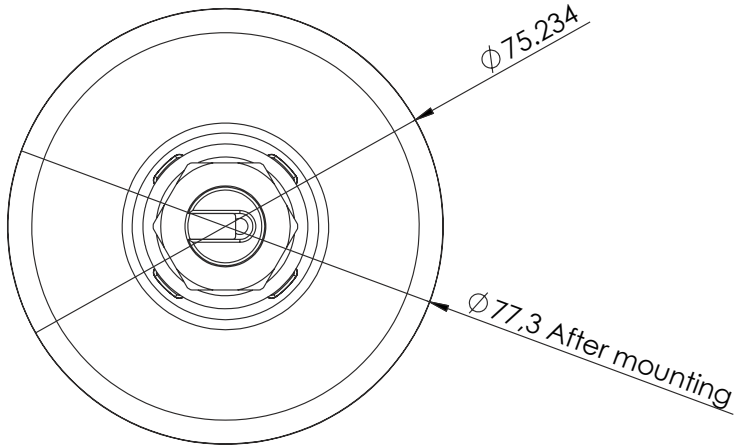


Radiation pattern reference



868 MHz Radiation pattern

## 4. Antenna drawings



**Note: Dimensions are in millimeters**  
**\*Dimensions are after mounting**  
**\*\*Max. Torque= 6 Nm**

## 5. Antenna Images

