

2J6933MPGFz

GNSS and Iridium Magnetic/Adhesive Mount

Key Features

Cable 1: GPS/GLONASS/QZSS/Galileo

- 1575-1606 MHz

Cable 2: Iridium

- 1616-1627 MHz

Magnetic/Adhesive Mount

Iridium Certified

Low Profile

High Performance

Pre-Filtered GNSS

Ground Plane Independent

Customizable Cable and Connector

Dimensions 89 × 76 × 27/30 mm

Certificates: IP67, IP69



1. Antenna and electrical specifications

Cable 1

Parameters	GNSS Active Antenna	
	GPS/QZSS/Galileo	GLONASS
Standards		
Band (MHz)	1575	1602
Frequency (Mhz)	1575.42	1598-1606
Patch Size (mm)	25 x 25 x 4	
Return Loss (dB)	<=-15.0 dB	
VSWR	<=1.4:1 dB	
Impedance (Ohms)	50	
Radiation Pattern	Hemispherical	
Polarization	RHCP	
Saw Filter Type	Pre-filter	
Active Gain (dB)	28 @ 2.7 V	
Noise Figure (dB)	1.5 Typ	
Voltage (V)	1.5 – 3.6	
Current Consumption (mA)	9 Typ	
Power Consumption (mW)	24.3 Typ	
ESD Protection (kV)	2kV	
Connector Type	SMA-Male Standard (Other Connectors Available)	
Cable Length	300 cm Standard (Any Cable Length Available)	
Cable Type	D100 Standard (Other Cables Available)	

Cable 2

Parameters	Iridium Antenna
	Standards
Band (MHz)	1621
Frequency (MHz)	1616-1627
Return Loss (dB)	~-12.5
VSWR	~1.6:1
Efficiency (%)	~68.1
Peak Gain (dBic)	~5.2
Average Gain (dB)	~-1.8
Impedance	50
Radiation Pattern	Hemispherical
Polarization	RHCP
Connector Type	SMA-Male Standard (Other Connectors Available)
Cable Length	300 cm Standard (Any Cable Length Available)
Cable Type	D302 Standard (Other Cables Available)

Antenna Measurement Conditions:

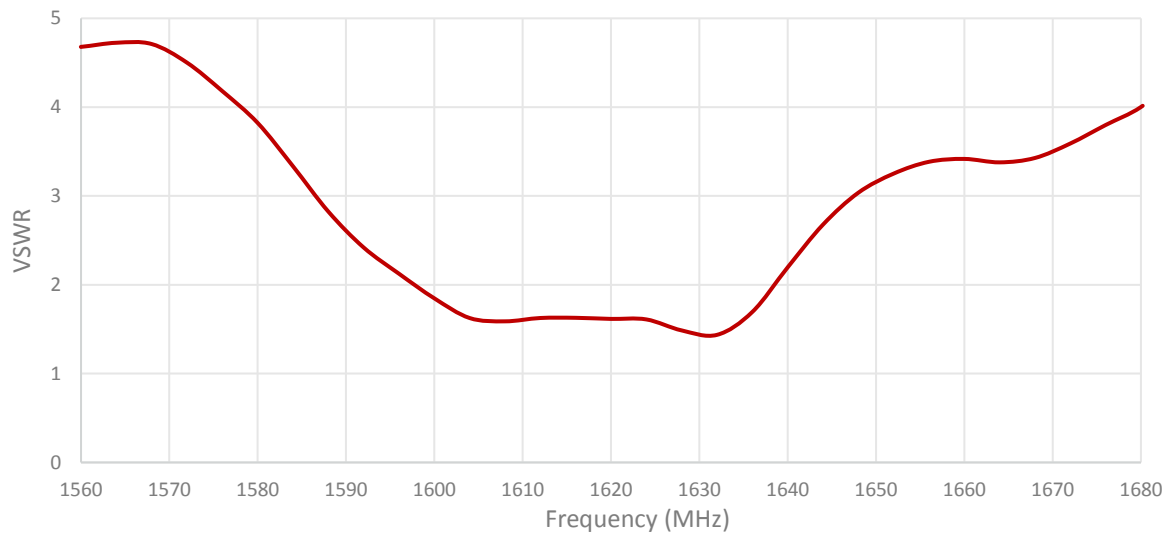
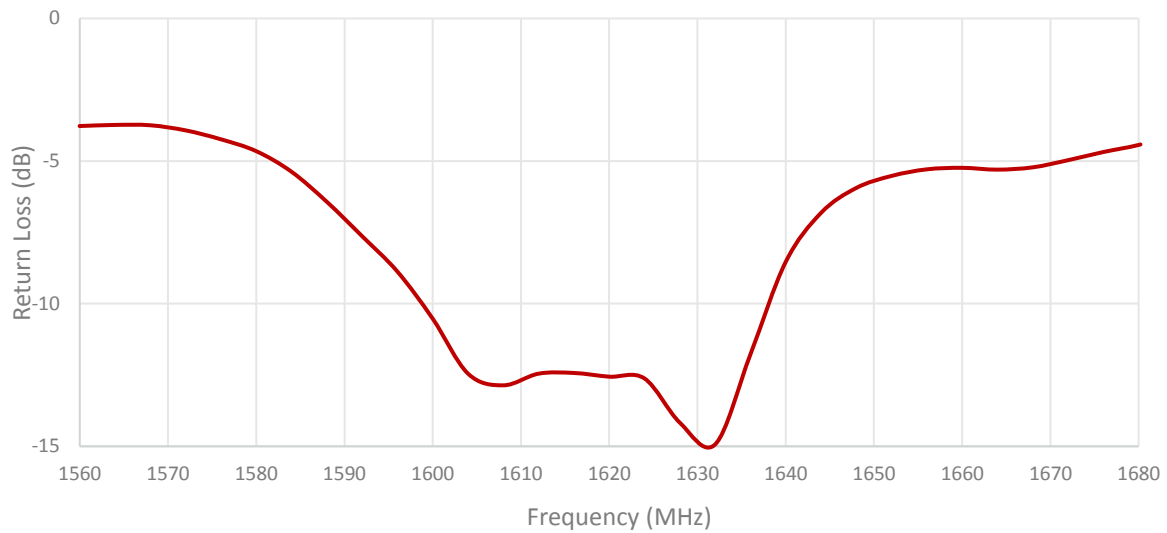
Mounted on Metal Plate of 30 x 30 cm
 200 cm of Cable D302
 Measured in Certified CTIA 3D Anechoic Chamber

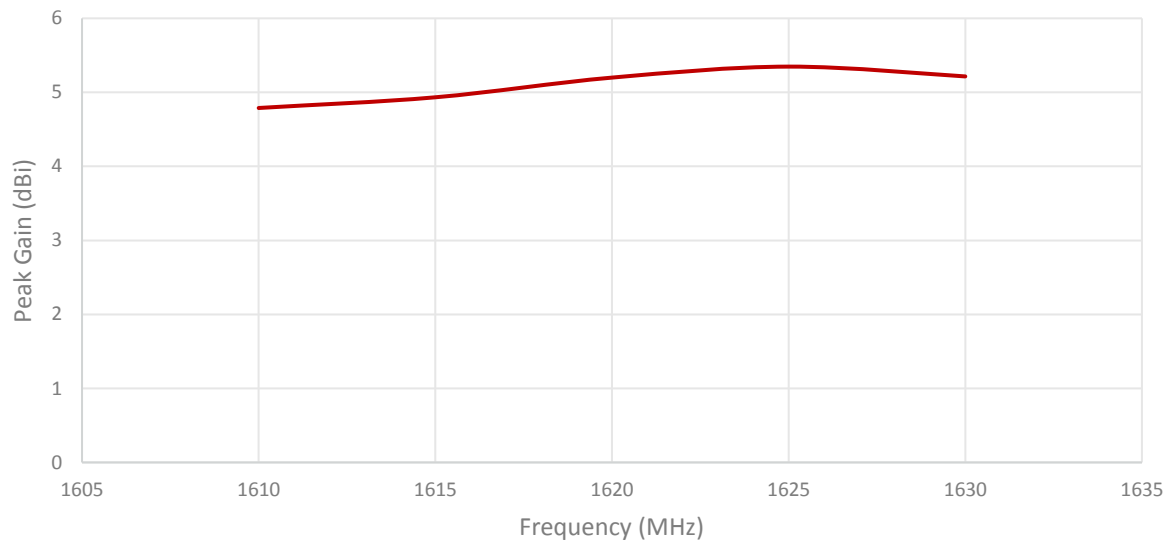
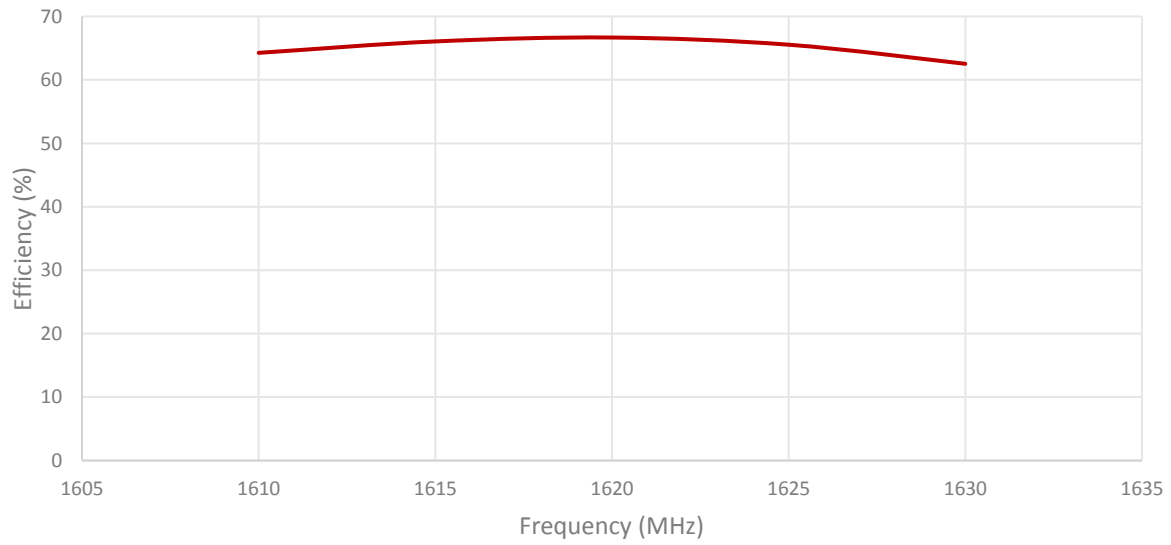
2. Mechanical and environmental specifications

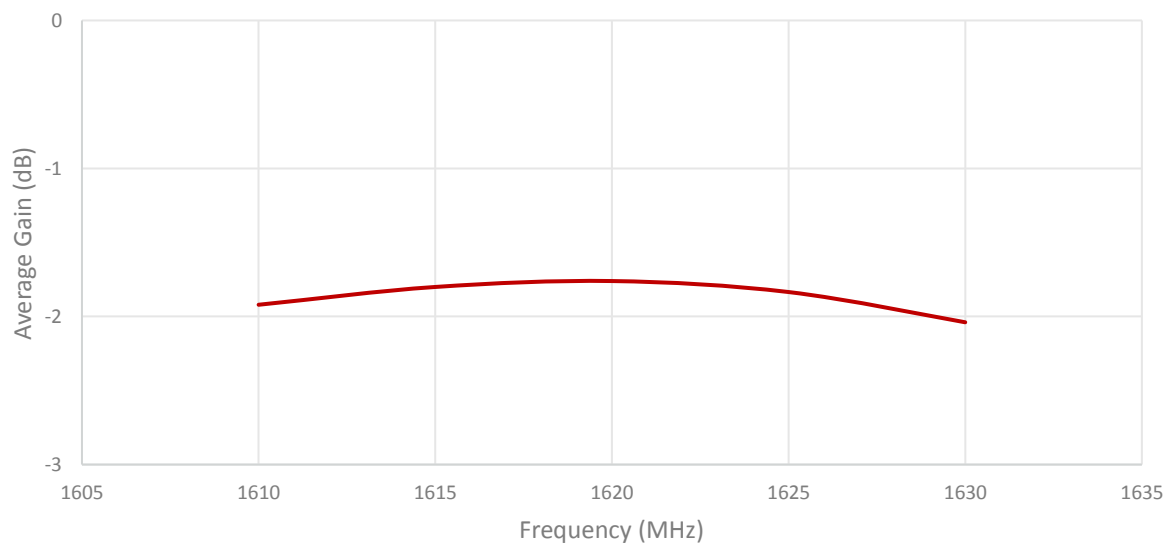
Specifications	2J6933MPGFz
Mounting Type	Magnetic/Adhesive Mount
Dimensions (mm)	89 × 76 × 27/30
Radome Type	ABS UV Stable
Radome Color	Black, White
Operating Temperature (C)	-40 to +85
Storage Temperature (C)	-40 to +85
Substance Compliance	RoHS
Certificates	Iridium Certified, IP67, IP69,

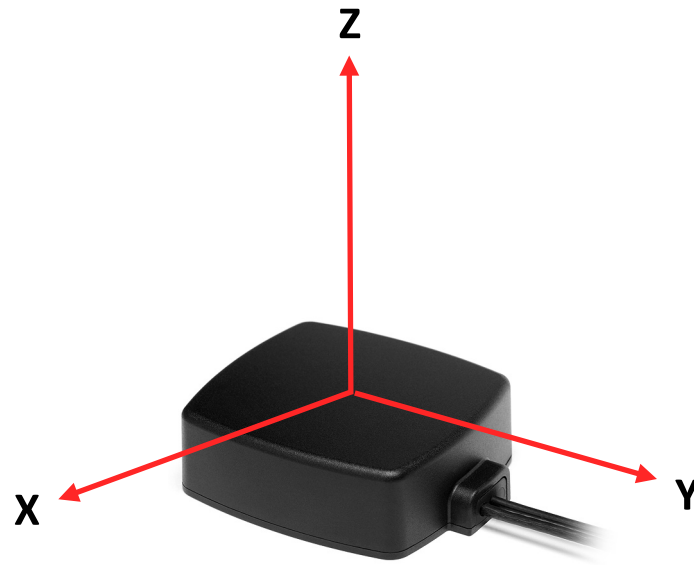
3. Antenna parameters

Cable 2: IRIDIUM



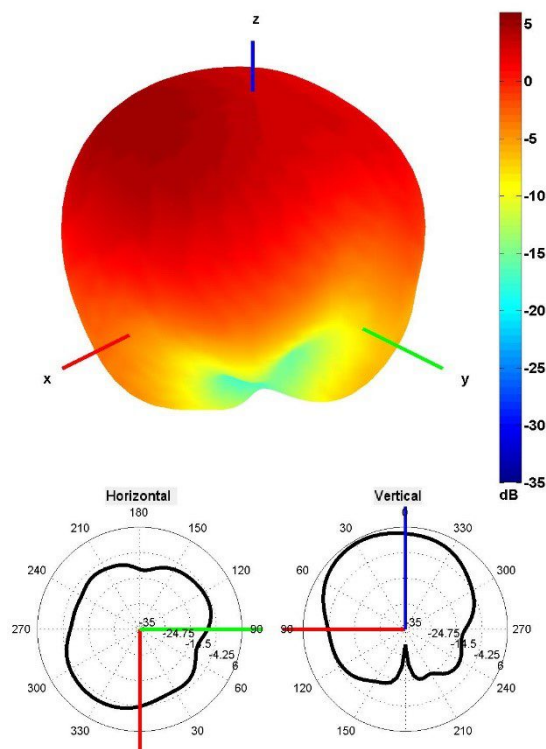






Radiation pattern reference

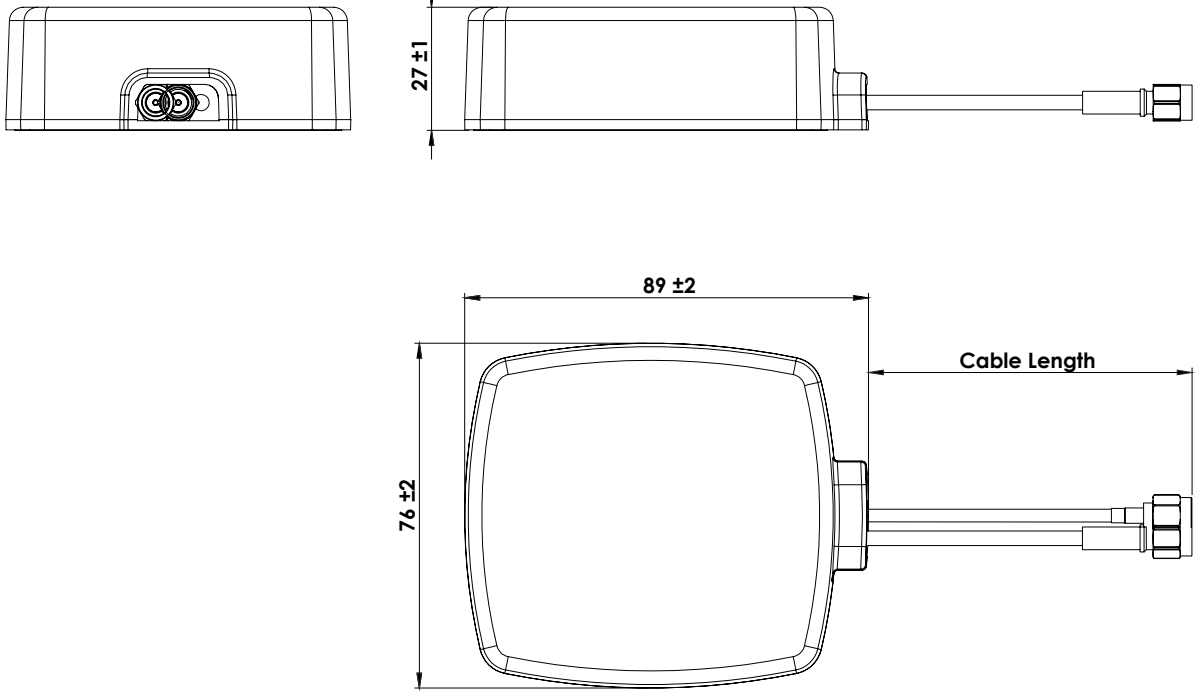
Cable 2: IRIDIUM



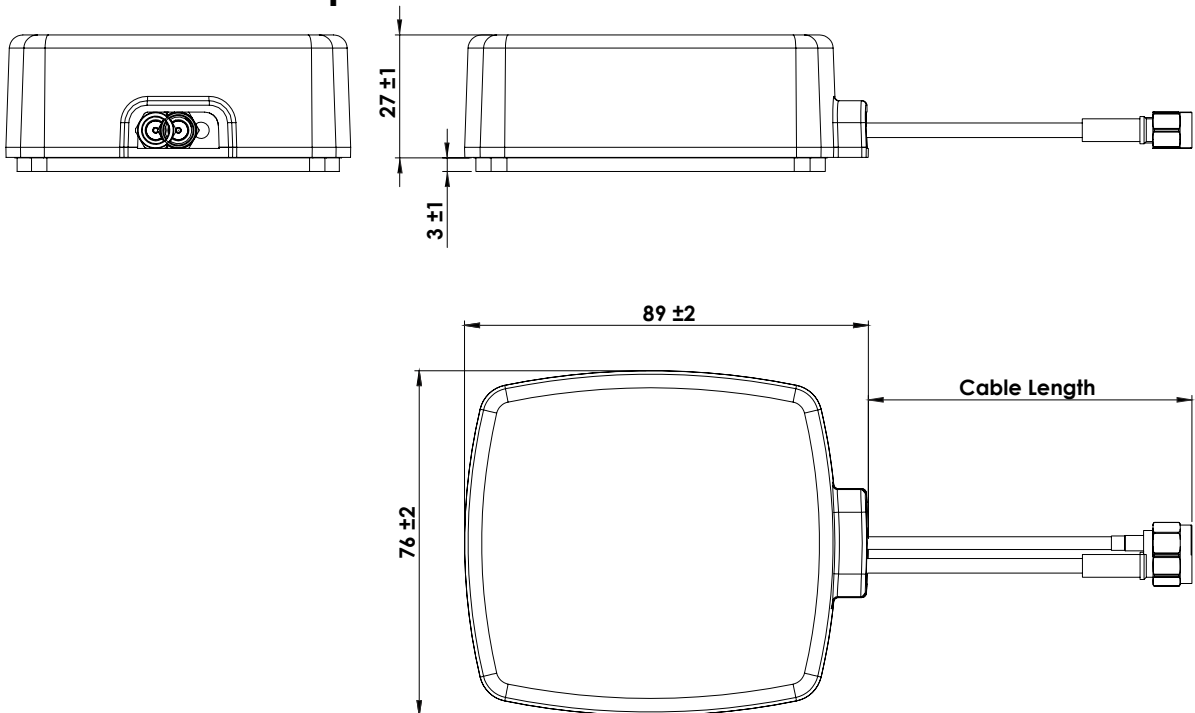
1621 MHz Radiation pattern

4. Antenna drawings

Magnetic Mount option



Adhesive Mount option



5. Antenna Images

