

2J6026B

IRIDIUM Screw Mount

Key Features

IRIDIUM

- 1616-1627 MHz

Iridium Certified

Screw Mount

Low Profile

High Performance

Ground Plane Independent

Customizable Cable and Connector

Dimensions 80 x 74 x 14.7 mm



Note: 19mm Thread is Default Option. See Drawing for other Thread Options available.



1. Antenna and electrical specifications

Cable 1

Parameters	Iridium Antenna
Standards	Iridium
Band (MHz)	1621
Frequency (MHz)	1616-1627
Return Loss (dB)	~-15.6
VSWR	~1.4:1
Efficiency (%)	~70
Peak Gain (dBic)	~3.5
Average Gain (dB)	~-1.1
Impedance	50
Axial Ratio (dB)	3 max
Radiation Pattern	Hemispherical
Polarization	RHCP
Connector Type	SMA-Male Standard (Other Connectors Available)
Cable Length	300 cm Standard (Any Cable Length Available)
Cable Type	LL195 Standard (Other Cables Available)

Antenna Measurement Conditions:

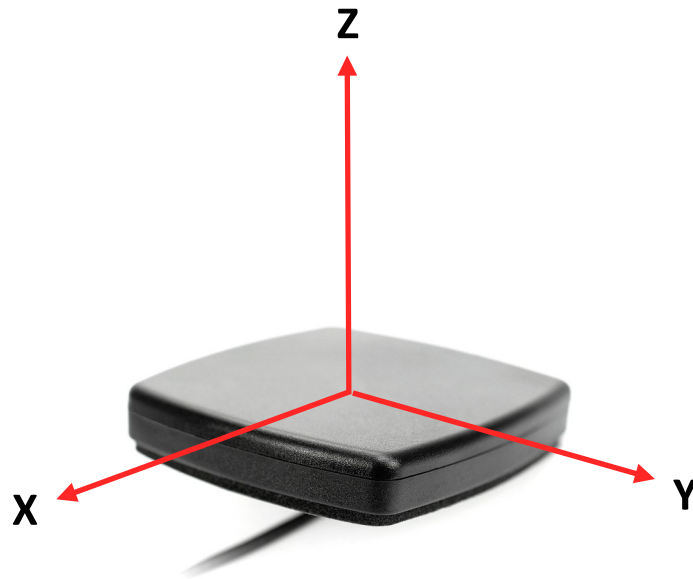
Mounted on 70 x 70 mm Ground Plane

No Cable

Measured in Certified CTIA 3D Anechoic Chamber

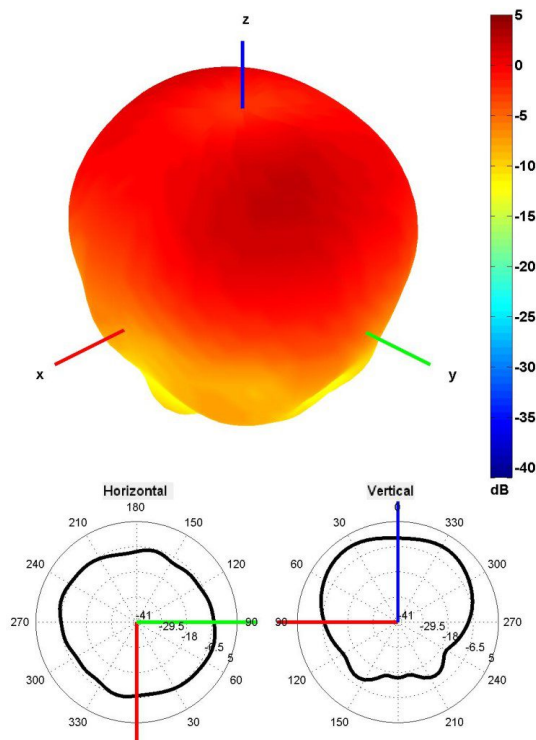
2. Mechanical and environmental specifications

Specifications	2J6026B
Mounting Type	Screw Mount
Dimensions (mm)	80 x 74 x 14.7
Rec. Tighten Torque (Nm)	5 Nm
Radome	ASA
Radome color	Black
Operating Temperature (C)	-40 to +85
Storage Temperature (C)	-40 to +85
Substance Compliance	RoHS
Certificates	Iridium Certified



Radiation pattern reference

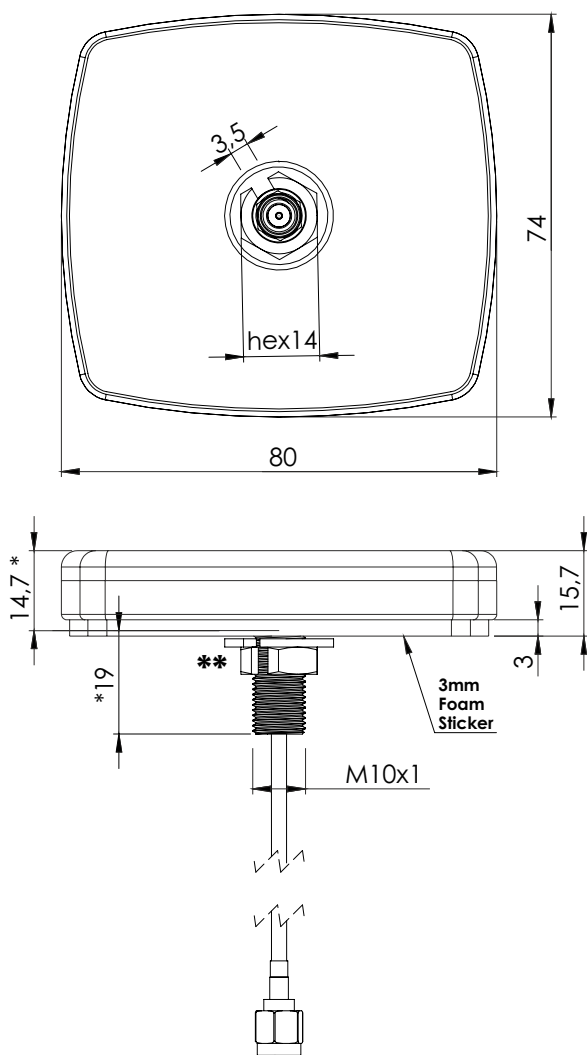
Cable 1: IRIDIUM



1621 MHz Radiation pattern

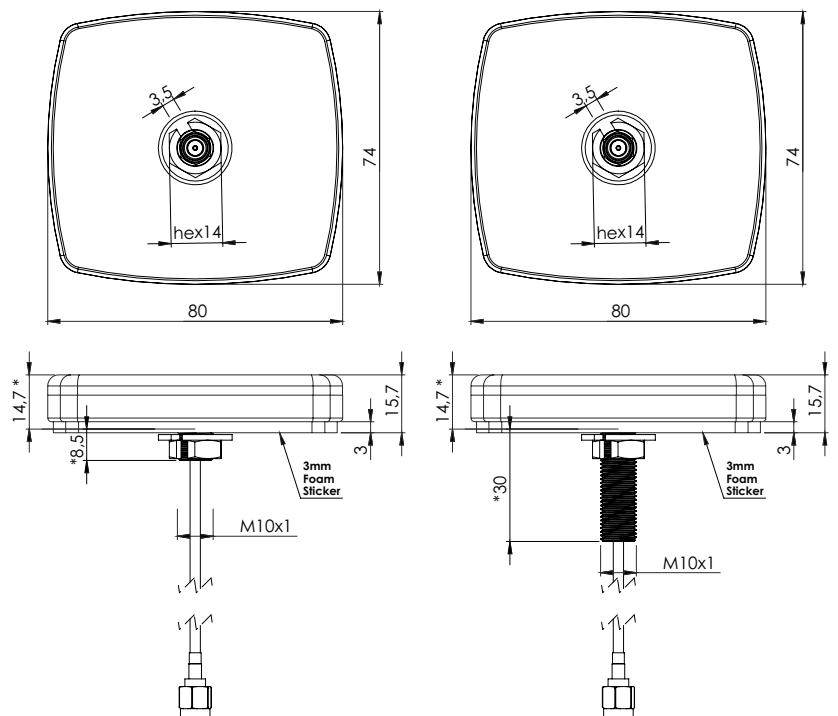
3. Antenna drawings

Default Thread Option



2J6026B-TH19
19 mm Thread
Default Option

Other Thread Options available



2J6026B-TH8,5
8,5 mm Thread

2J6026B-TH30
30 mm Thread

***Dimensions after mounting**
****Rec. Torque= 5 Nm**

4. Antenna Images

