

2J6015B-915

915 MHz ISM Screw Mount

Key Features

915 MHz ISM

- 902-928 MHz

Screw Mount

Ground Plane Dependent

High Performance

Low Profile

Customizable Cable and Connector

Dimensions 80 x 74 x 14.7 mm



Note: 19mm Thread is Default Option. See Drawing for other Thread Options available.



1. Antenna and electrical specifications

Parameters	915 MHz ISM Antenna
Standards	ZigBee, ISM, SIGFOX, LoRa
Band (MHz)	915 MHz
Frequency (MHz)	902-928
Return Loss (dB)	~-17.6
VSWR	~1.5:1
Efficiency (%)	~50.3
Peak Gain (dBi)	~1.9
Average Gain (dB)	~-3.0
Impedance (Ohm)	50
Polarisation	Linear
Radiation Pattern	Omni-Directional
Max. Input Power (W)	25
Connector Type	SMA-Male Standard (Other Connectors Available)
Cable Length	300 cm Standard (Any Cable Length Available)
Cable Type	RG174 Standard (Other Cables Available)

Antenna Measurement Conditions:

Mounted on 30 x 30 x 0.25 cm Metal Plate

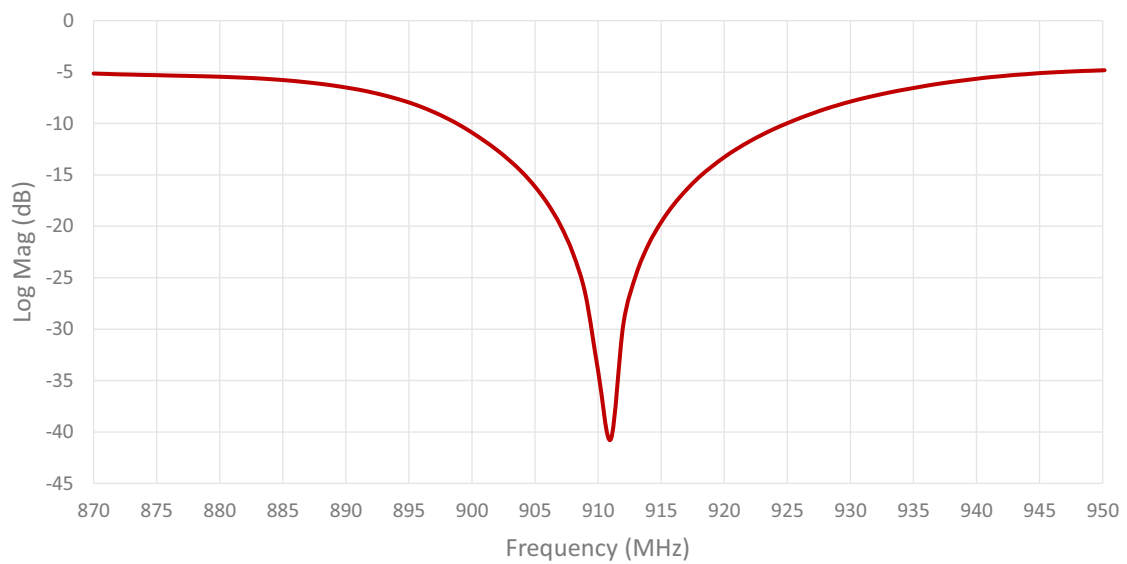
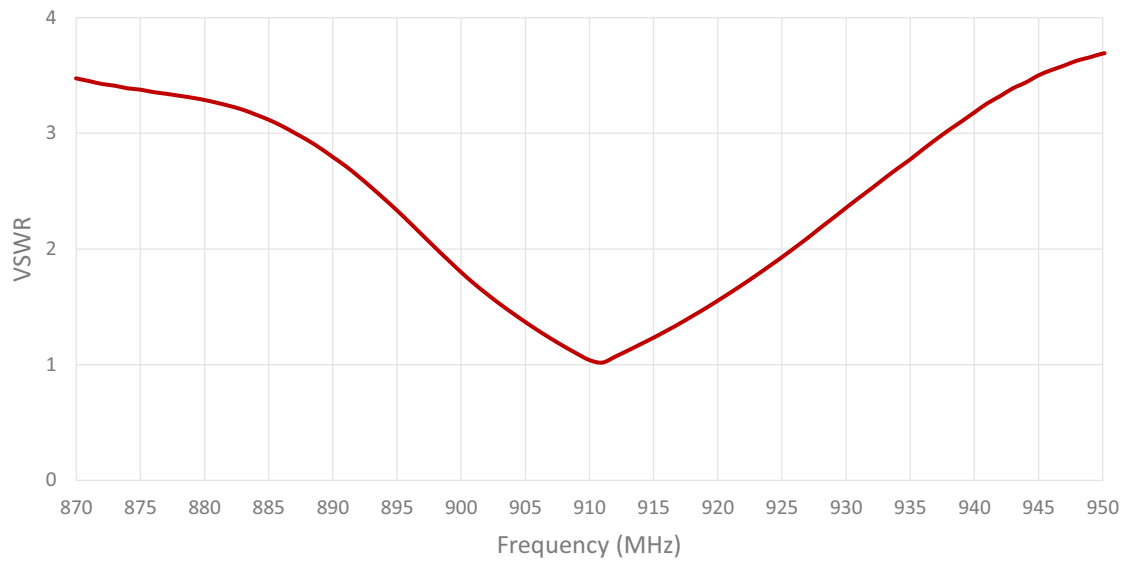
200 cm of RG174 Cable

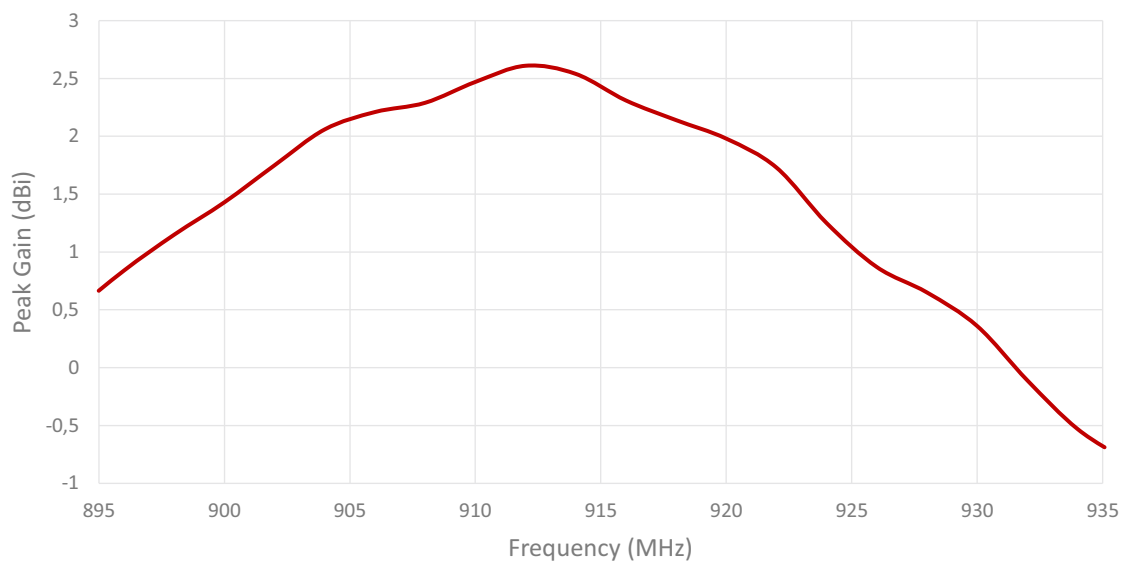
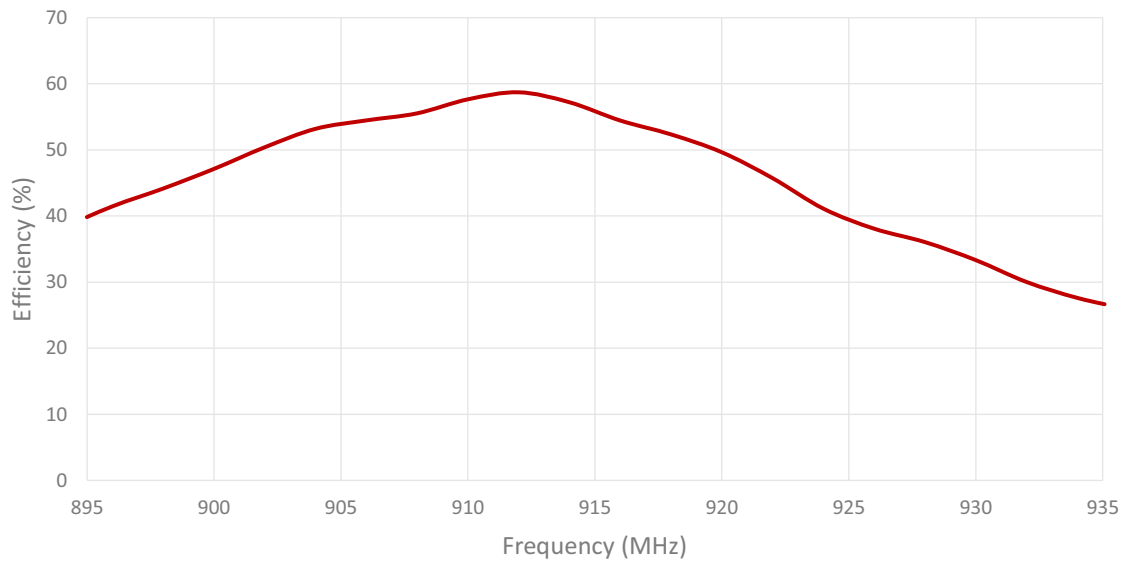
Measured in Certified CTIA 3D Anechoic Chamber

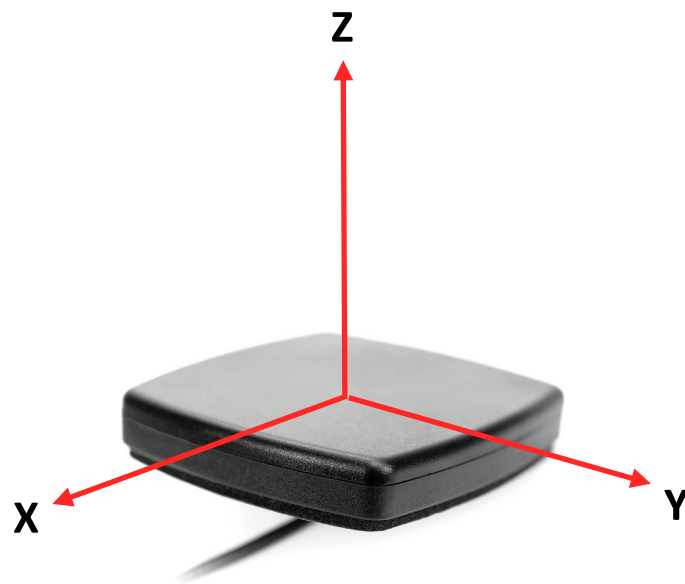
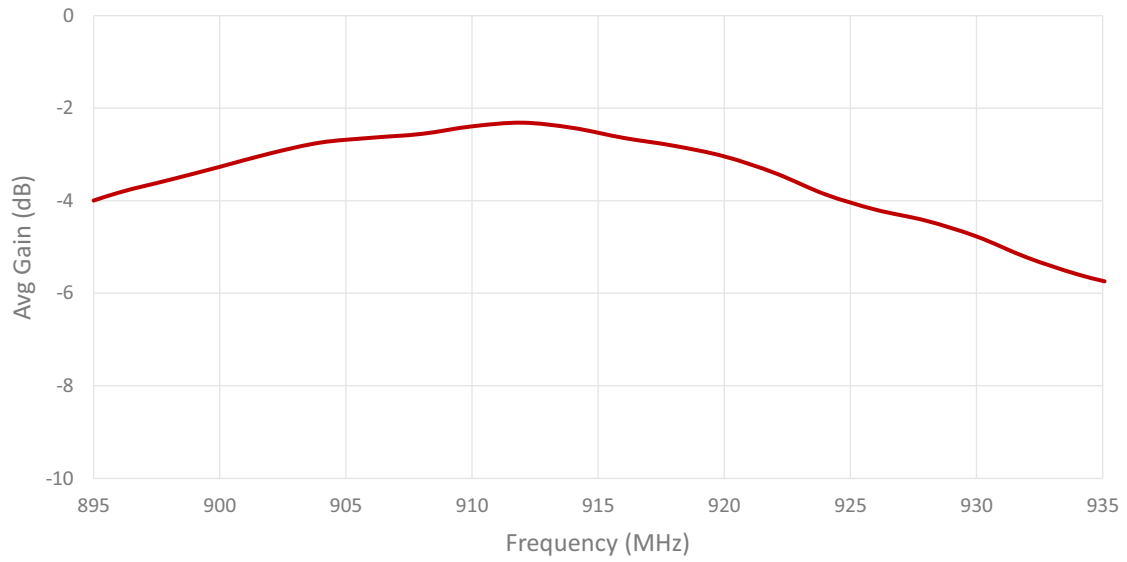
2. Mechanical and environmental specifications

Specifications	2J6015B-915
Mounting Type	Screw Mount
Dimensions (mm)	80 x 74 x 14.7
Rec. Tighten Torque (Nm)	5 Nm
Radome	ASA
Radome color	Black
Operating Temperature (C)	-40 to +85
Storage Temperature (C)	-40 to +85
Substance Compliance	RoHS

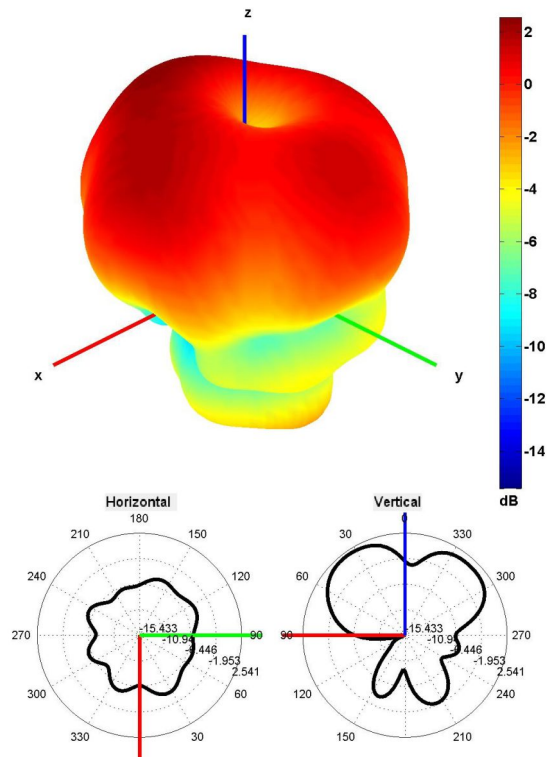
3. Antenna parameters







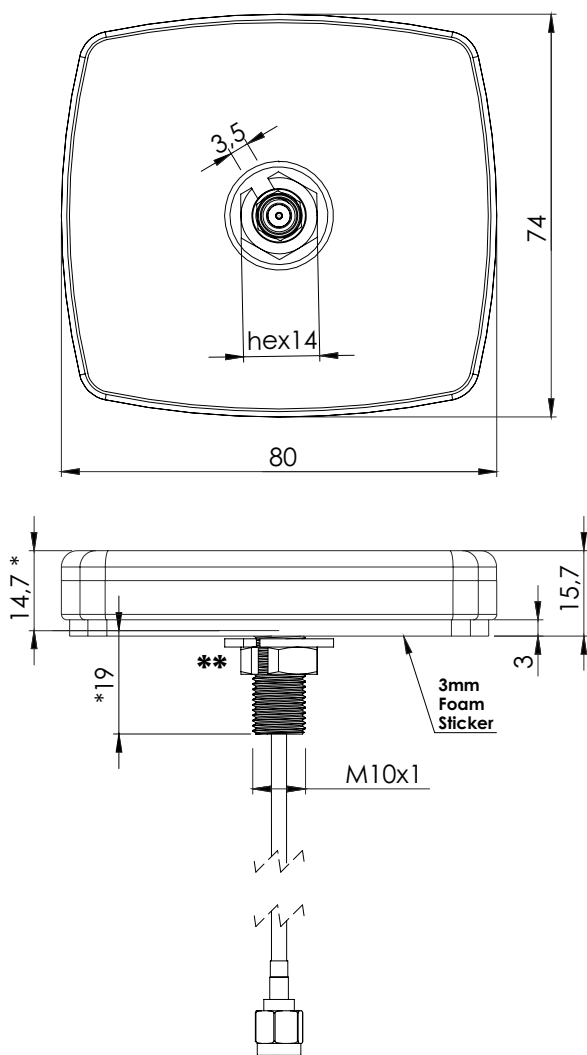
Radiation pattern reference



915 MHz Radiation pattern

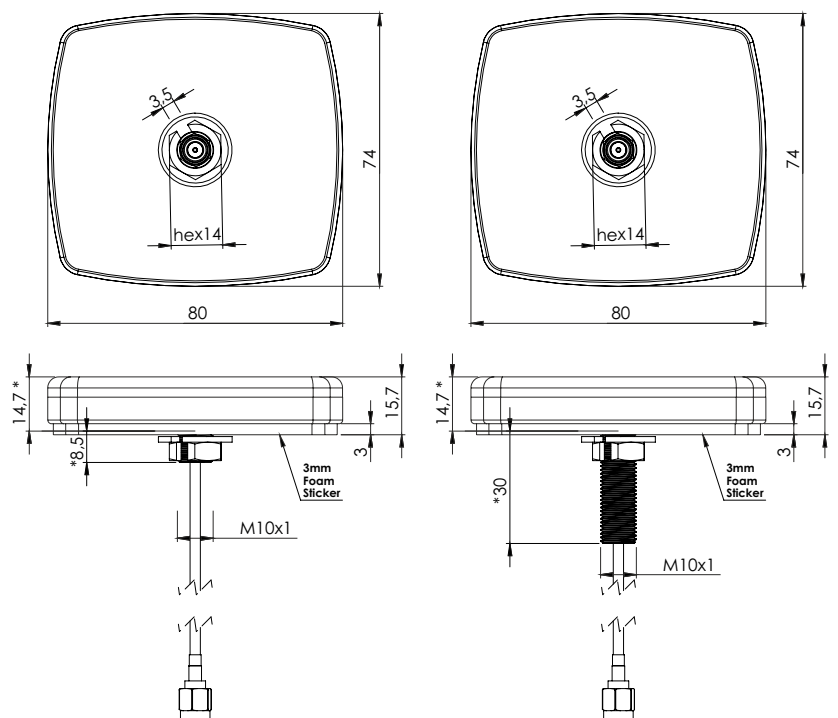
4. Antenna drawings

Default Thread Option



2J6015B-915-TH19
19 mm Thread
Default Option

Other Thread Options available



2J6015B-915-TH8,5
8,5 mm Thread

2J6015B-915-TH30
30 mm Thread

***Dimensions after mounting**
****Rec. Torque= 5 Nm**

5. Antenna Images

