

# 2J6015B-868-2.4-TH19

868 MHz / 2.4GHz ISM Screw Mount

## Key Features

### 868 MHz / 2.4GHz ISM

- 863-870 MHz

- 2410-2490 MHz

Screw Mount

Ground Plane Independent

High Performance

Low Profile

Customizable Cable and Connector

Dimensions 80 × 74 × 14.7 mm



**Note:** 19mm Thread is Default Option. See Drawing for other Thread Options available.



## 1. Antenna and electrical specifications

Parameters	868MHz / 2.4 GHz ISM Antenna	
<b>Standards</b>	WiFi, BT, ZigBee, ISM, SigFox, LoRa	
<b>Band (MHz)</b>	868	2400
<b>Frequency (MHz)</b>	863-870	2410-2490
<b>Return Loss (dB)</b>	~-15.3	~-14.7
<b>VSWR</b>	~1.4:1	~1.5:1
<b>Efficiency (%)</b>	~50.5	~40.8
<b>Peak Gain (dBi)</b>	~-2.2	~-3.7
<b>Average Gain (dB)</b>	~-3.0	~-4.1
<b>Impedance (Ohm)</b>	50	
<b>Polarisation</b>	Linear	
<b>Radiation Pattern</b>	Omni-Directional	
<b>Max. Input Power (W)</b>	25	
<b>Connector Type</b>	SMA-Male Standard (Other Connectors Available)	
<b>Cable Length</b>	300 cm Standard (Any Cable Length Available)	
<b>Cable Type</b>	LL100 Standard (Other Cables Available)	

### Antenna Measurement Conditions:

Mounted on 30 x 30 x 0.25 cm Metal Plate

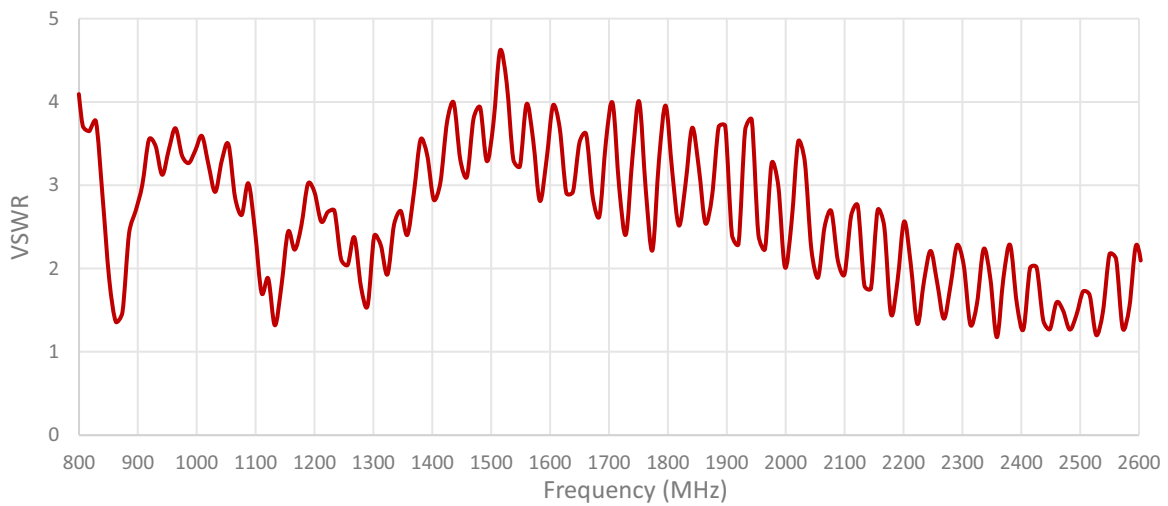
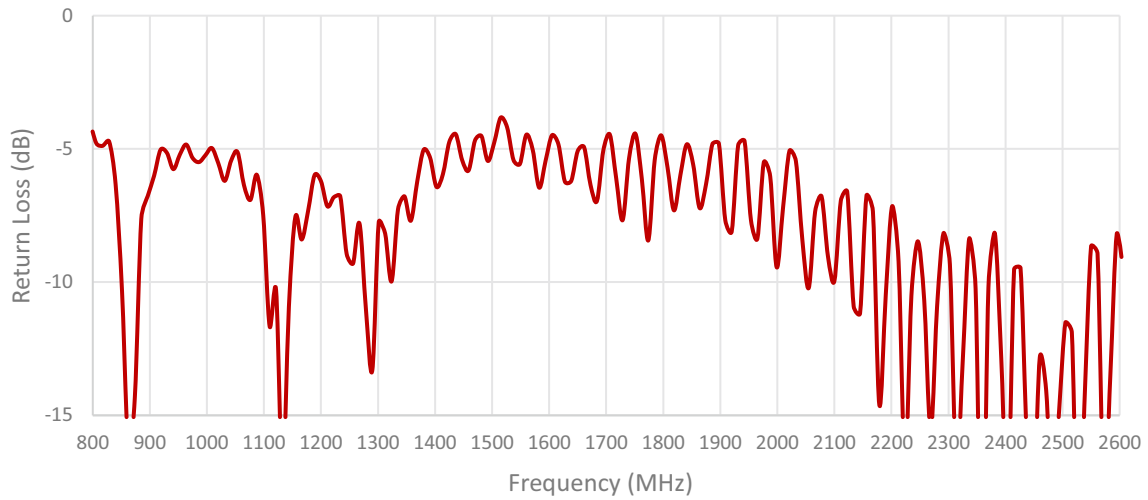
200 cm of Cable LL100

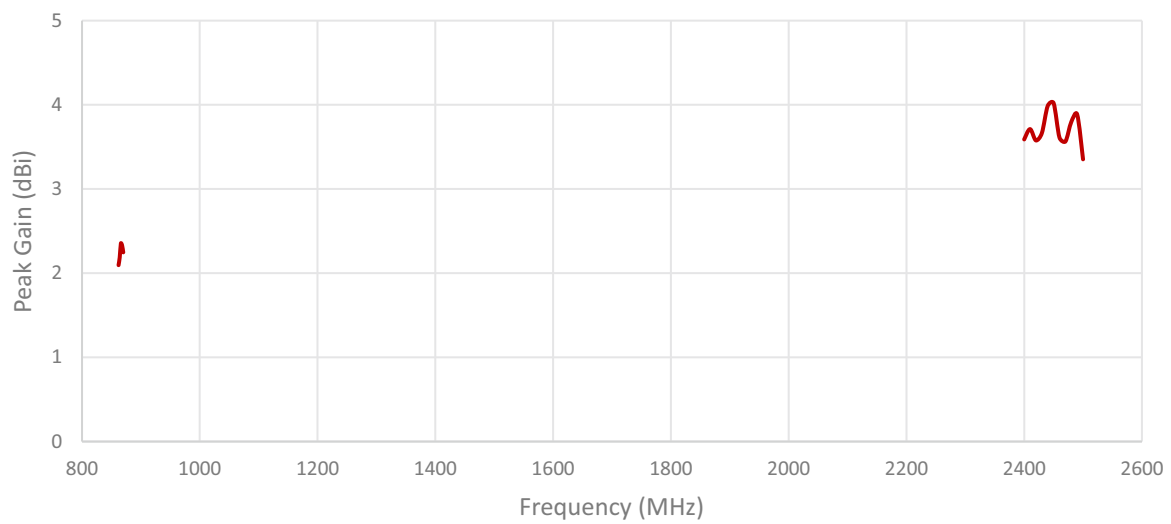
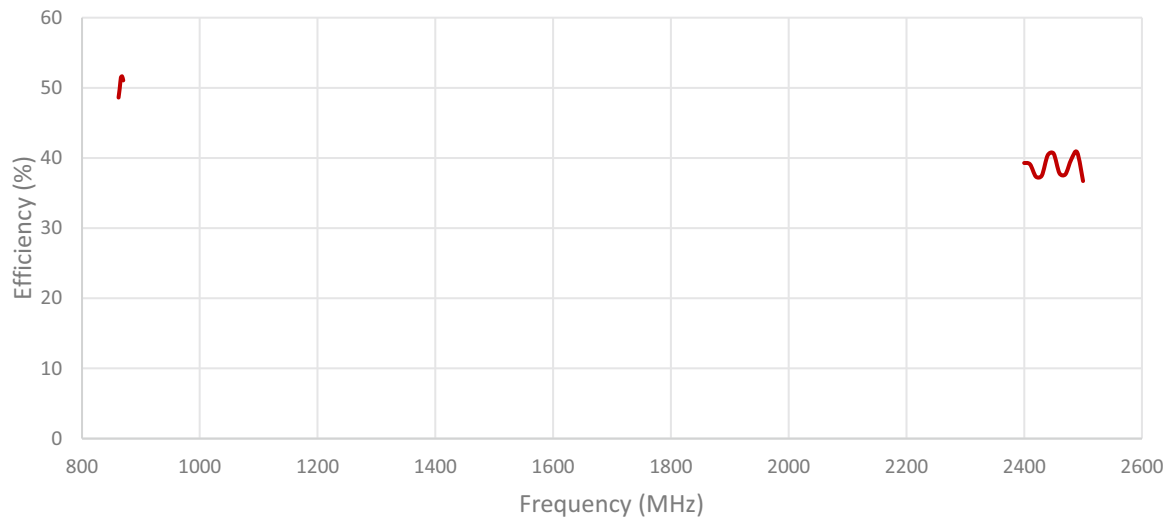
Measured in Certified CTIA 3D Anechoic Chamber

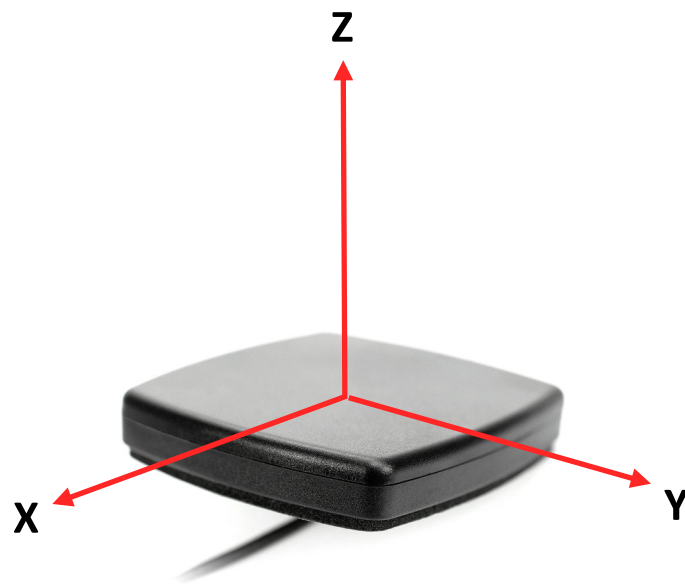
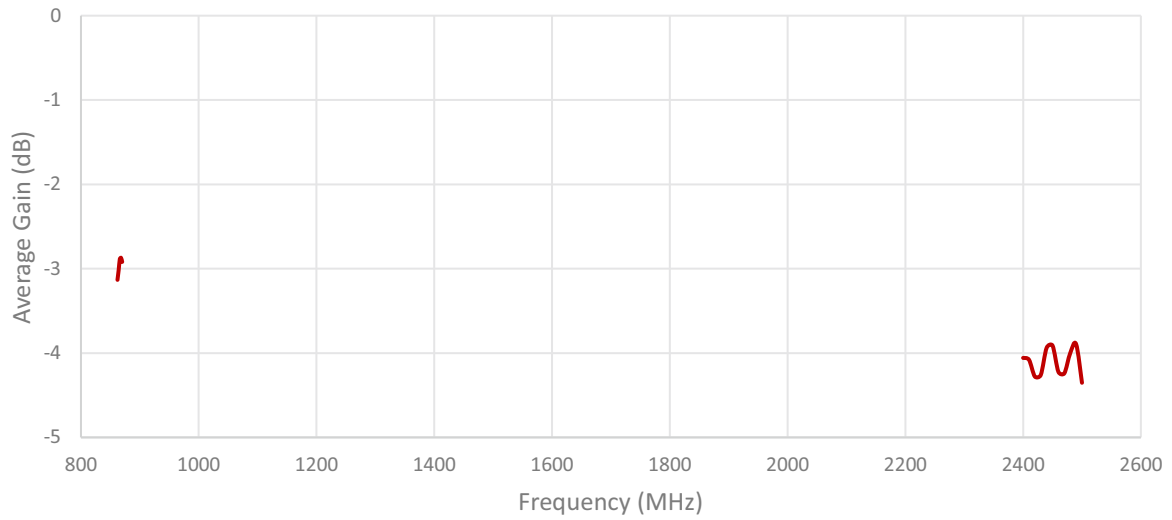
## 2. Mechanical and environmental specifications

Specifications	2J6015B-868-2.4-TH19
<b>Mounting Type</b>	Screw Mount
<b>Dimensions (mm)</b>	80 × 74 × 14.7
<b>Rec. Tighten Torque (Nm)</b>	5 Nm
<b>Radome</b>	ASA
<b>Radome color</b>	Black
<b>Operating Temperature (C)</b>	-40 to +85
<b>Storage Temperature (C)</b>	-40 to +85
<b>Substance Compliance</b>	RoHS

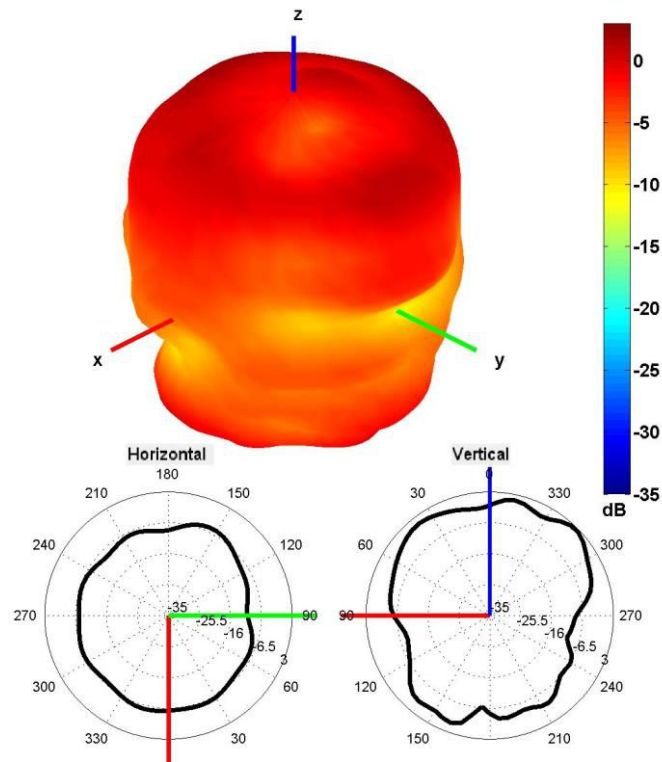
## 3. Antenna parameters



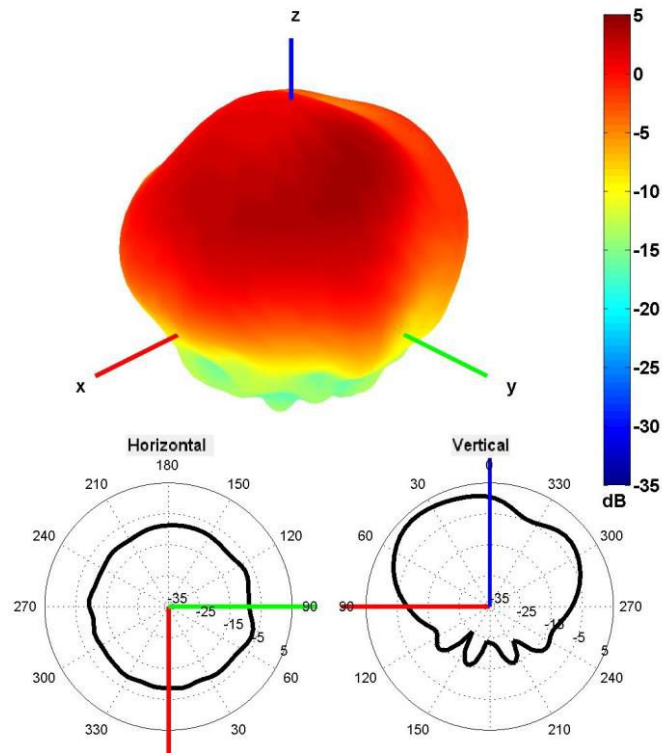




Radiation pattern reference



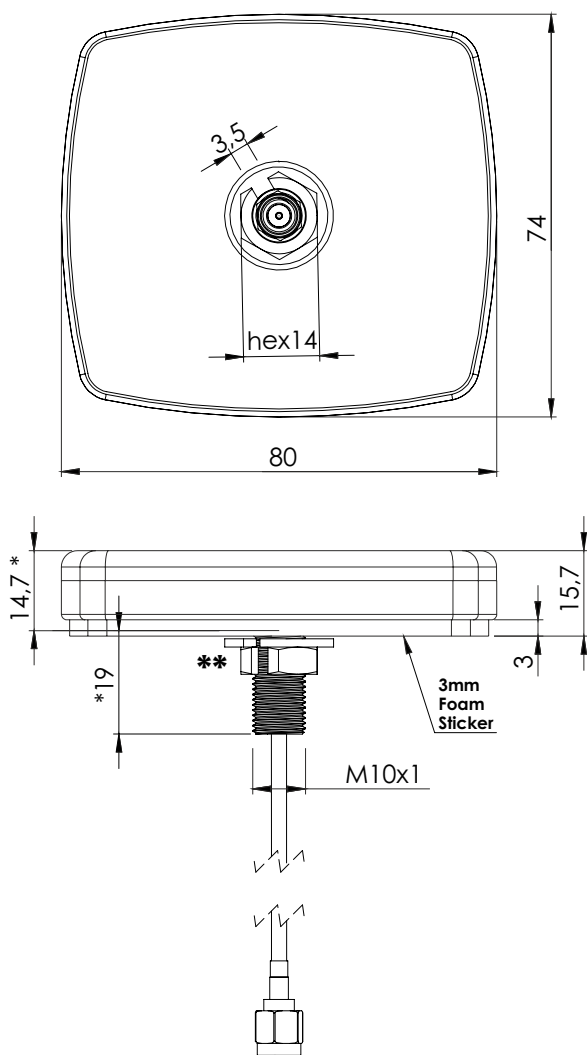
868 MHz Radiation pattern



2400 MHz Radiation pattern

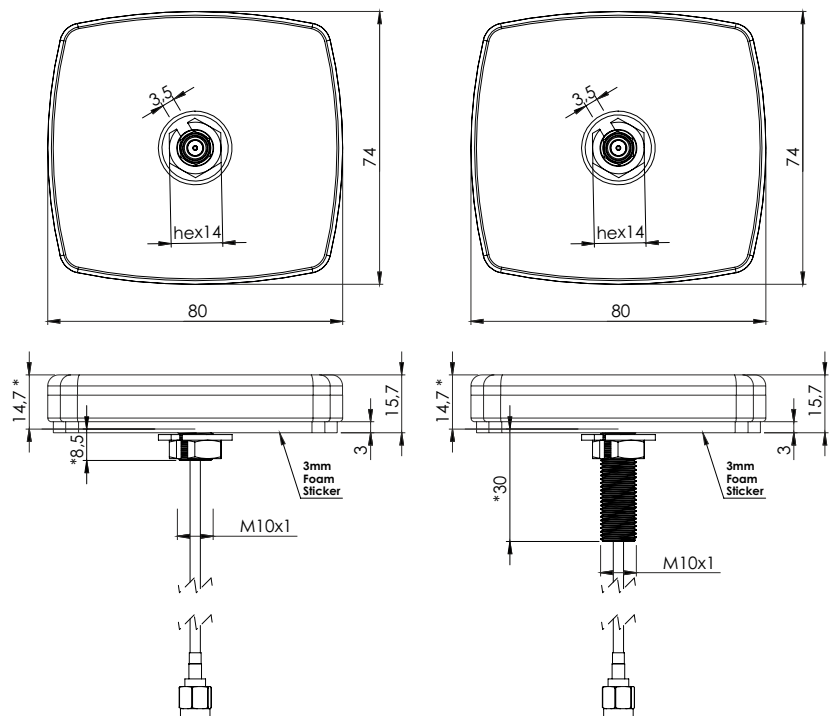
## 4. Antenna drawings

### Default Thread Option



**2J6015B-868-2.4-TH19**  
19 mm Thread  
Default Option

### Other Thread Options available



**2J6015B-868-2.4-TH8,5**  
8,5 mm Thread

**2J6015B-868-2.4-TH30**  
30 mm Thread

**\*Dimensions after mounting**  
**\*\*Rec. Torque= 5 Nm**

## 5. Antenna Images

