

2J5502VP

2.4/5.0/6.0 GHz ISM Velcro/Adhesive Mount

Key Features

Cable 1: 2.4/5.0/6.0 GHz ISM

- 2410-2490 MHz
- 4920-5925 MHz
- 5925-7125 MHz

Velcro/Adhesive Mount

Ground Plane Independent

Customizable Cable and Connector

Dimensions 71 × 25 × 7 mm



1. Antenna and electrical specifications

Cable 1

Parameters	2.4/5.0/6.0 GHz ISM Antenna		
Standards	WiFi, BT, ZigBee, ISM		
Band (MHz)	2.4 GHz	5.0 GHz	6.0 GHz
Frequency (MHz)	2410-2490	4920-5925	5925-7125
Return Loss (dB)	~-14.3	~-12.1	~-7.4
VSWR	~1.6:1	~1.9:1	~2.6:1
Efficiency (%)	~54.0	~46.0	~26.3
Peak Gain (dBi)	~3.3	~2.0	~-0.3
Average Gain (dB)	~-2.7	~-3.5	~-6.1
Impedance (Ohm)	50		
Polarisation	Linear		
Radiation Pattern	Omni-Directional		
Max. Input Power (W)	25		
Connector Type	RP-SMA-Male Standard (Other Connectors Available)		
Cable Length	300 cm Standard (Any Cable Length Available)		
Cable Type	LL100 Standard (Other Cables Available)		

Antenna Measurement Conditions:

Mounted on Plastic Plane of 30x30 mm

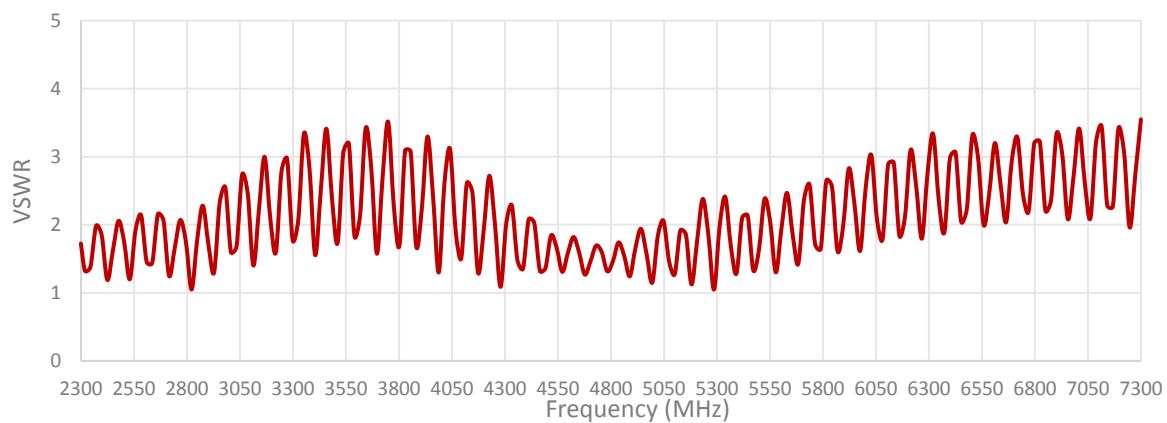
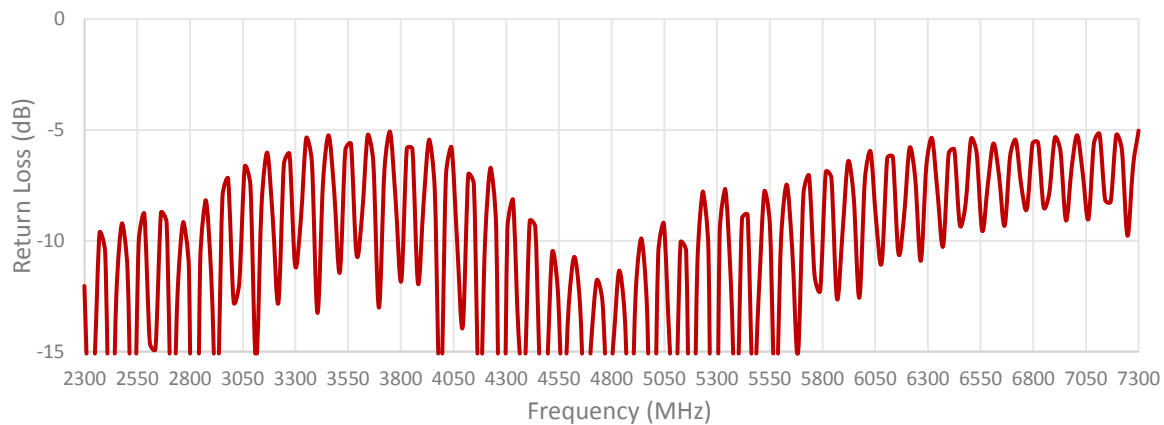
100cm of LL100 Cable

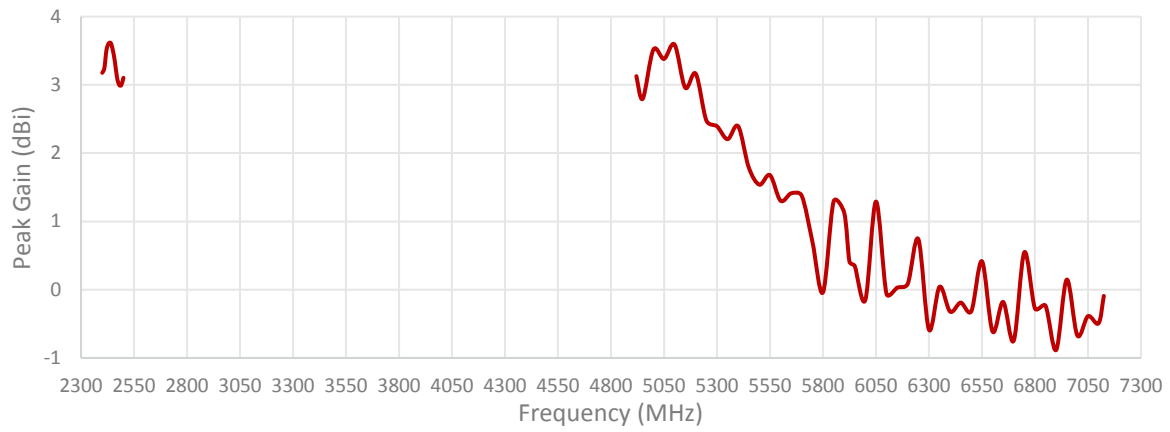
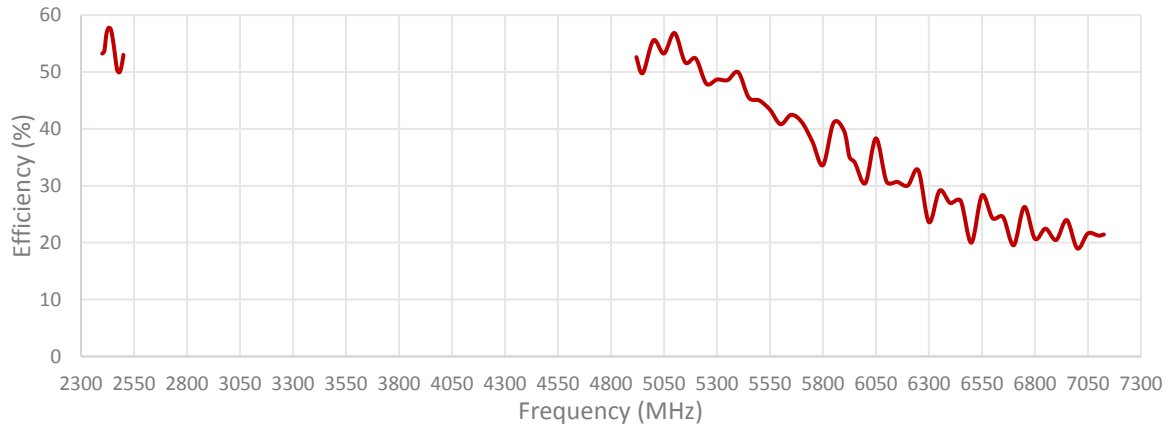
Measured in Certified CTIA 3D Anechoic Chamber

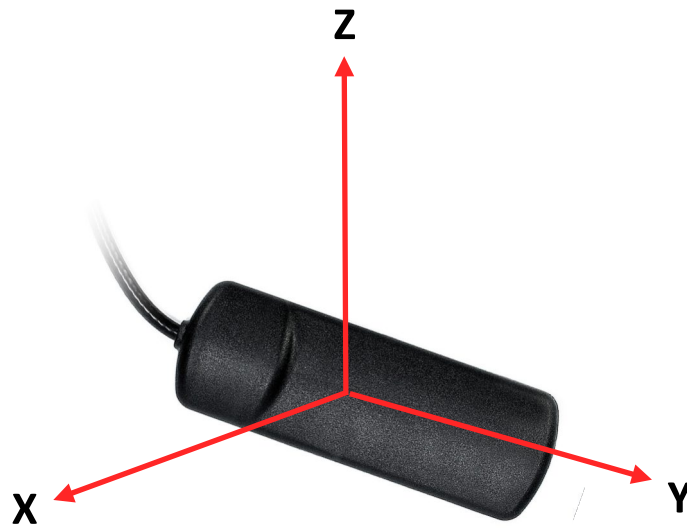
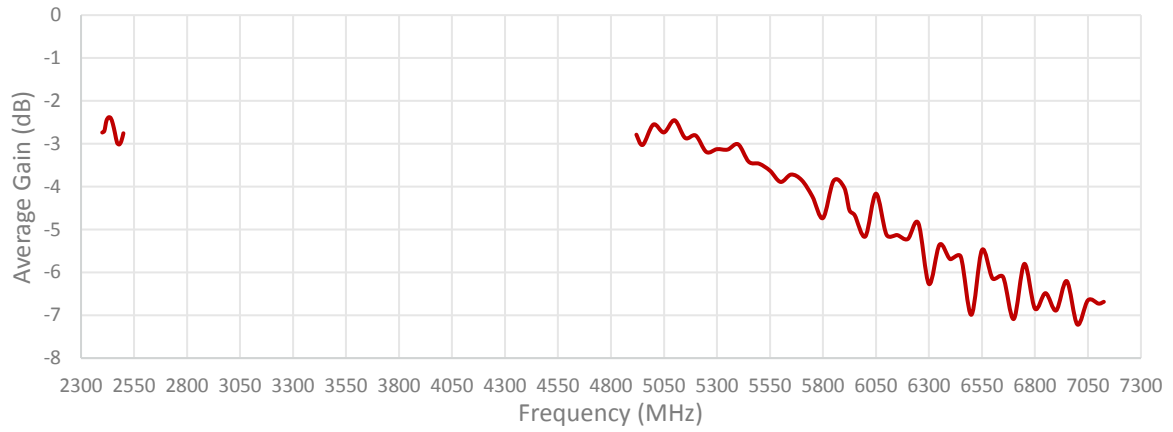
2. Mechanical and environmental specifications

Specifications	2J5502VP
Mounting Type	Velcro/Adhesive Mount
Dimensions (mm)	71 × 25 × 7
Radome	ASA
Radome color	Black
Operating Temperature (C)	-40 to +85
Storage Temperature (C)	-40 to +85
Substance Compliance	RoHS

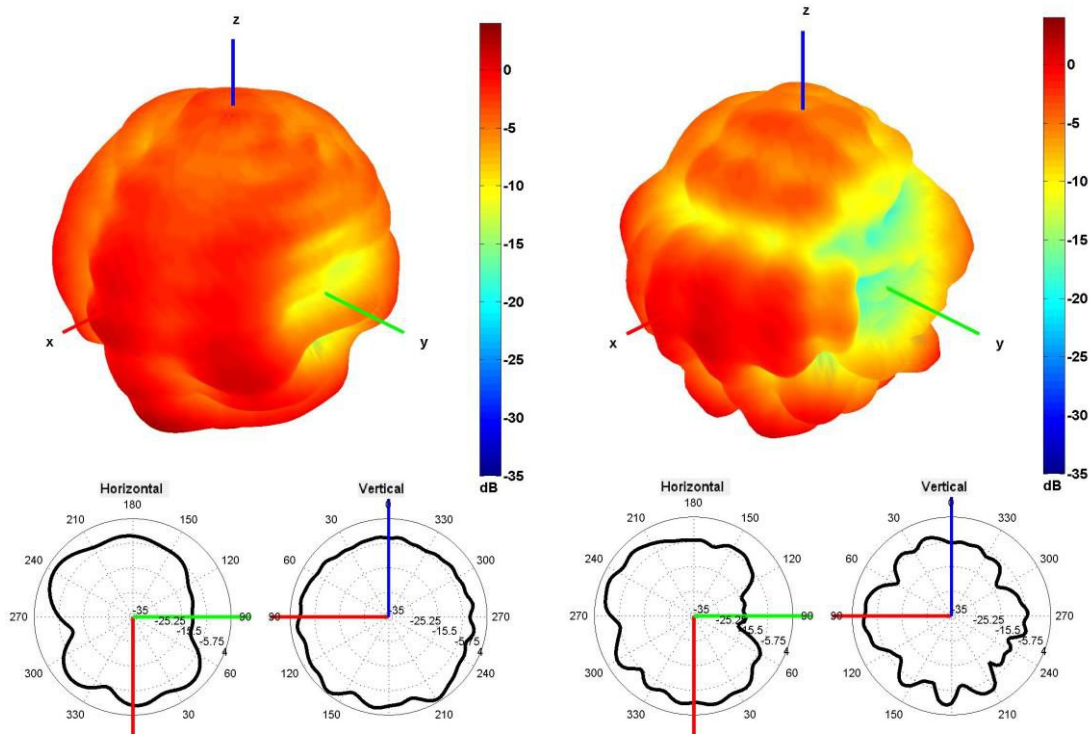
3. Antenna parameters



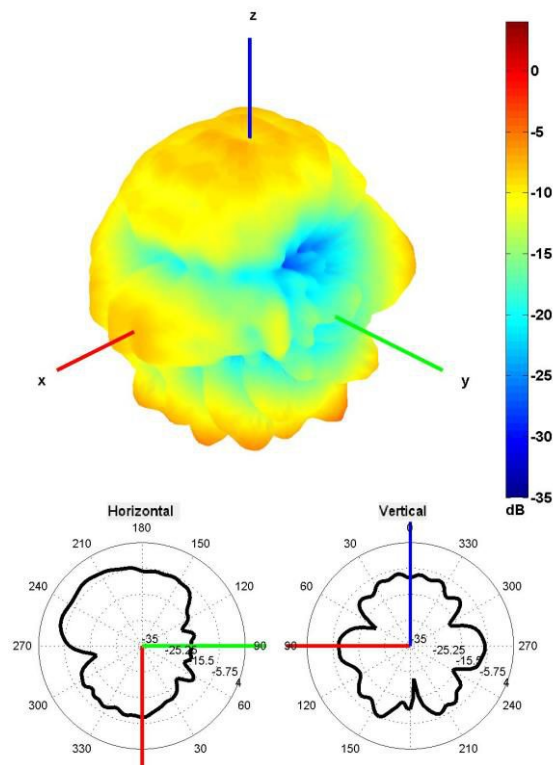




Radiation pattern reference



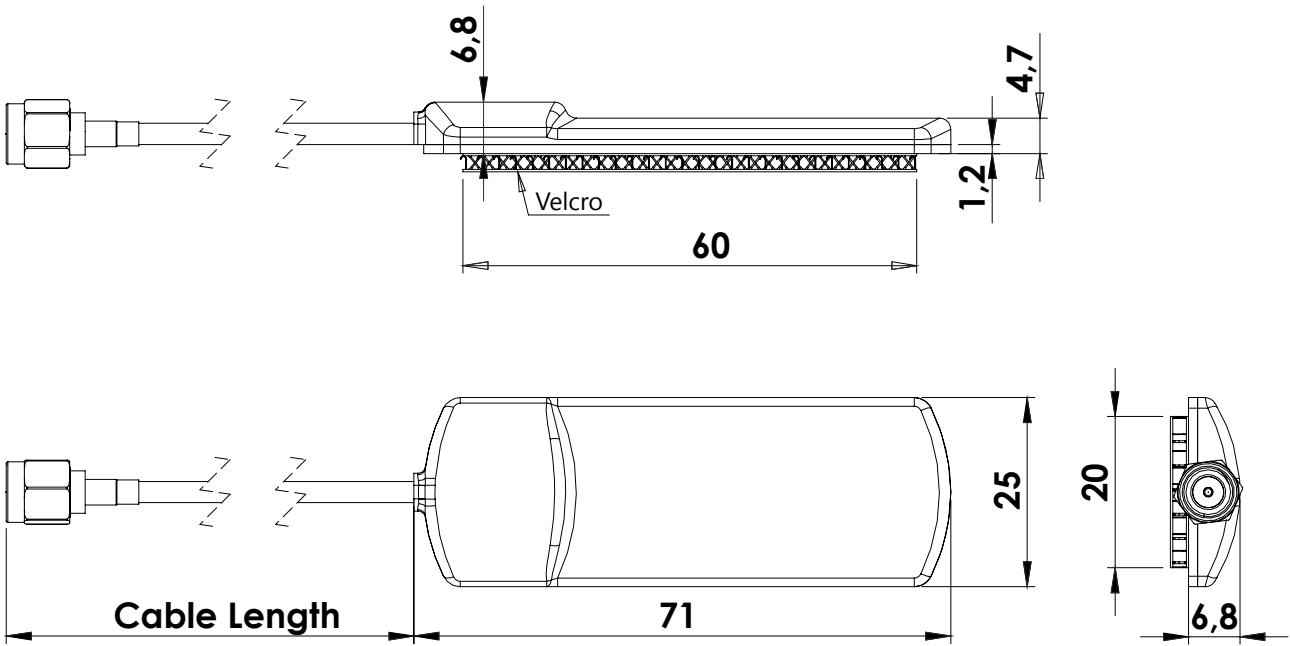
2450 and 5500 MHz Radiation pattern



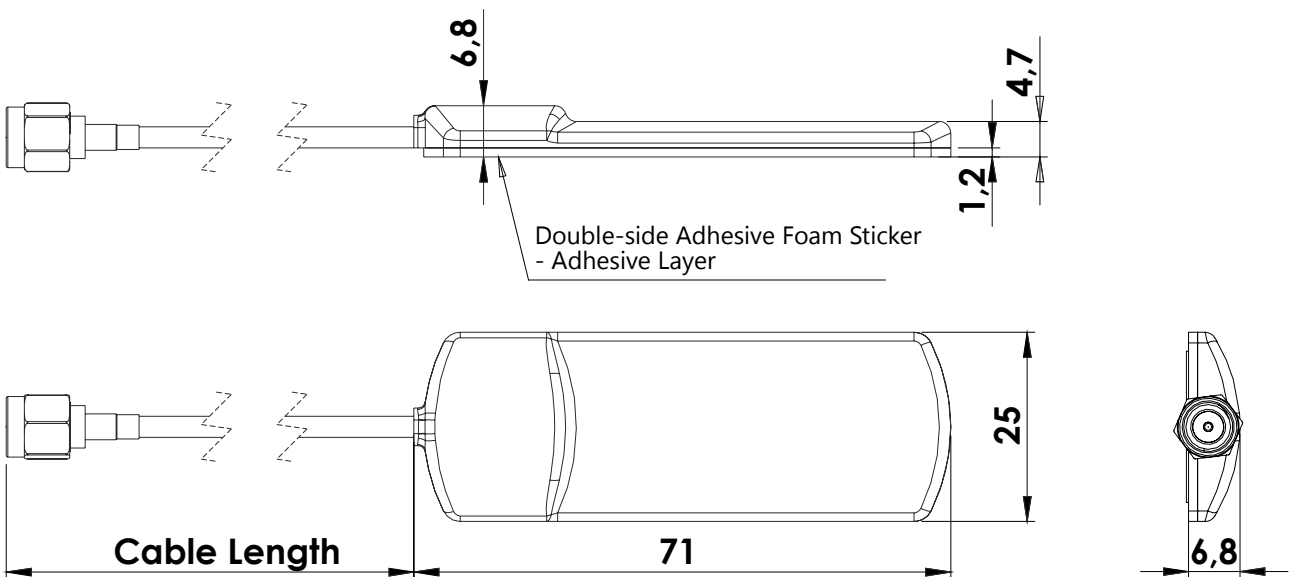
6500 MHz Radiation pattern

4. Antenna drawings

Velcro Mount option



Adhesive Mount option



5. Antenna Images

