

2J2202-C230N

2.4/5.0 GHZ ISM Connector Mount

Key Features

2.4/5.0 GHz ISM

- 2410-2490 MHz

- 4920-5925 MHz

Connector Mount

N-Male-RP Right Angle Connector

High Gain

Ground Plane Independent

Dimensions 153 × 40.5 × 22 mm



1. Antenna and electrical specifications

Parameters	2.4/5.0 GHz ISM Antenna	
Standards	WiFi, BT, ZigBee, ISM	
Band (MHz)	2.4 GHz	5.0 GHz
Frequency (MHz)	2410-2490	4920-5925
Return Loss (dB)	~-11.9	~-9.9
VSWR	~1.7:1	~2.3:1
Efficiency (%)	~84.8	~73.7
Peak Gain (dBi)	~-2.6	~-2.9
Average Gain (dB)	~-0.7	~-1.4
Impedance (Ohm)	50	
Polarisation	Linear	
Radiation Pattern	Omni-Directional	
Max. Input Power (W)	25	
Connector Type	N-Male-RP Right Angle Connector	

Antenna Measurement Conditions:

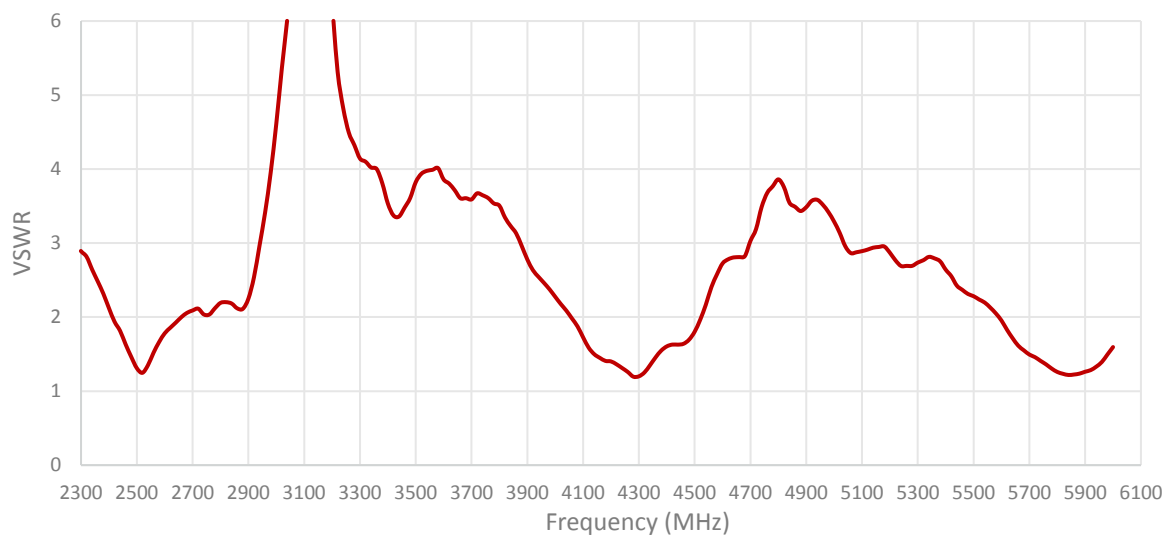
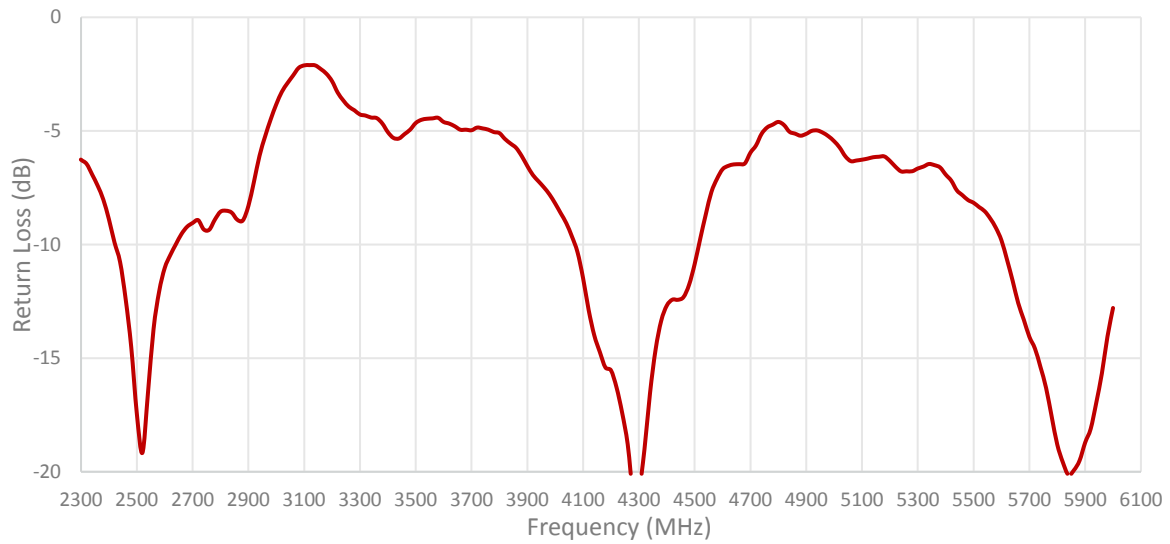
Free Space

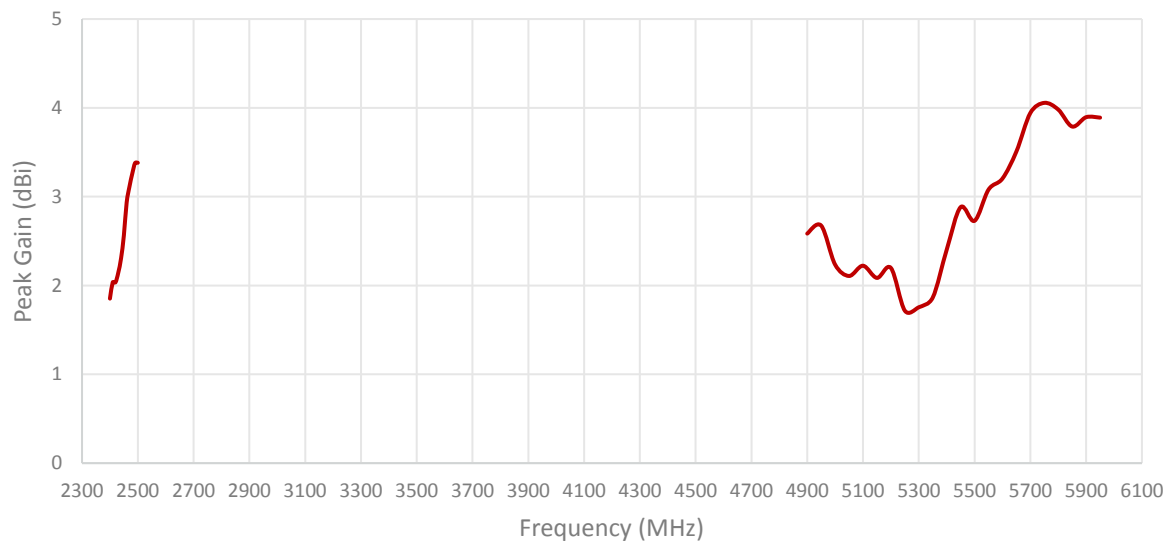
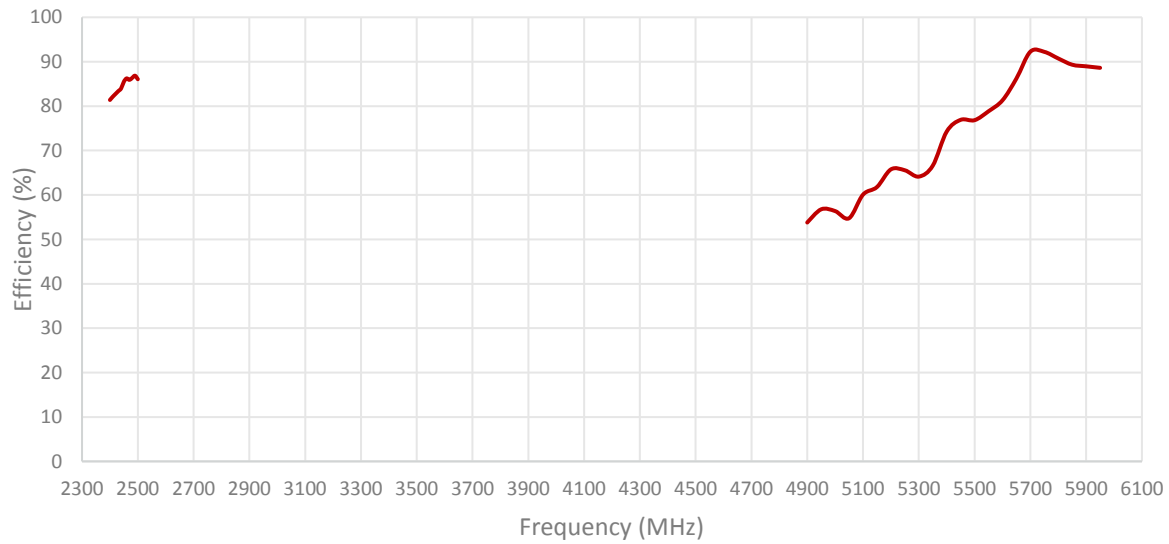
Measured in Certified CTIA 3D Anechoic Chamber

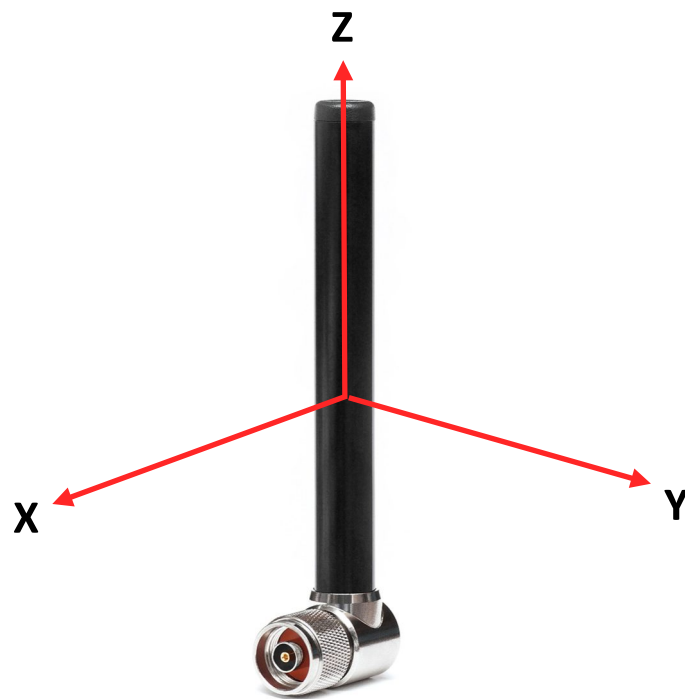
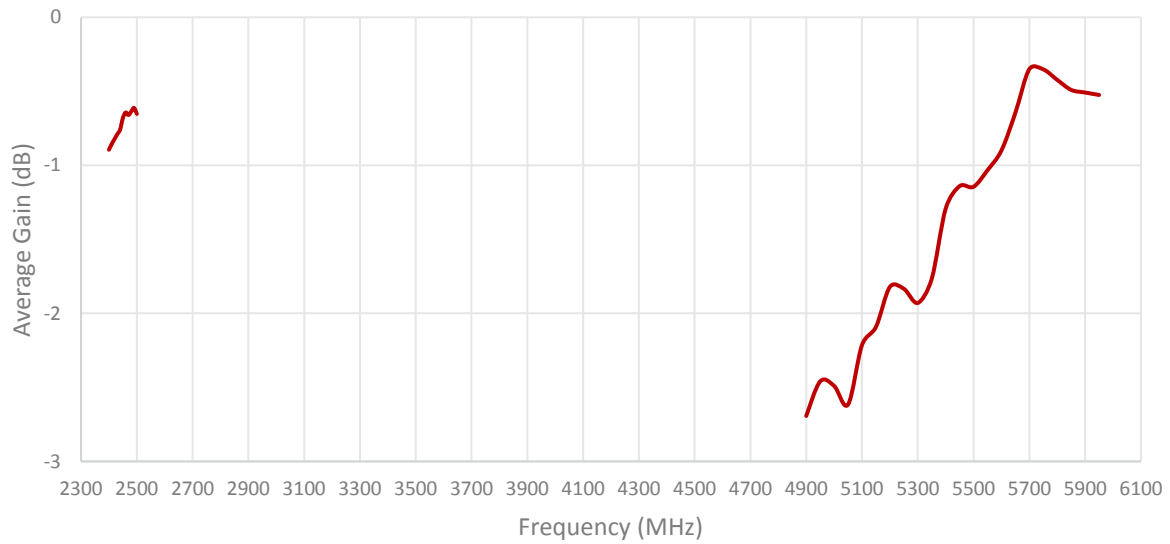
2. Mechanical and environmental specifications

Specifications	2J2202-C230N
Mounting Type	Connector Mount
Dimensions (mm)	153 × 40.5 × 22
Radome	ASA
Radome color	Black
Operating Temperature (C)	-40 to +85
Storage Temperature (C)	-40 to +85
Substance Compliance	RoHS

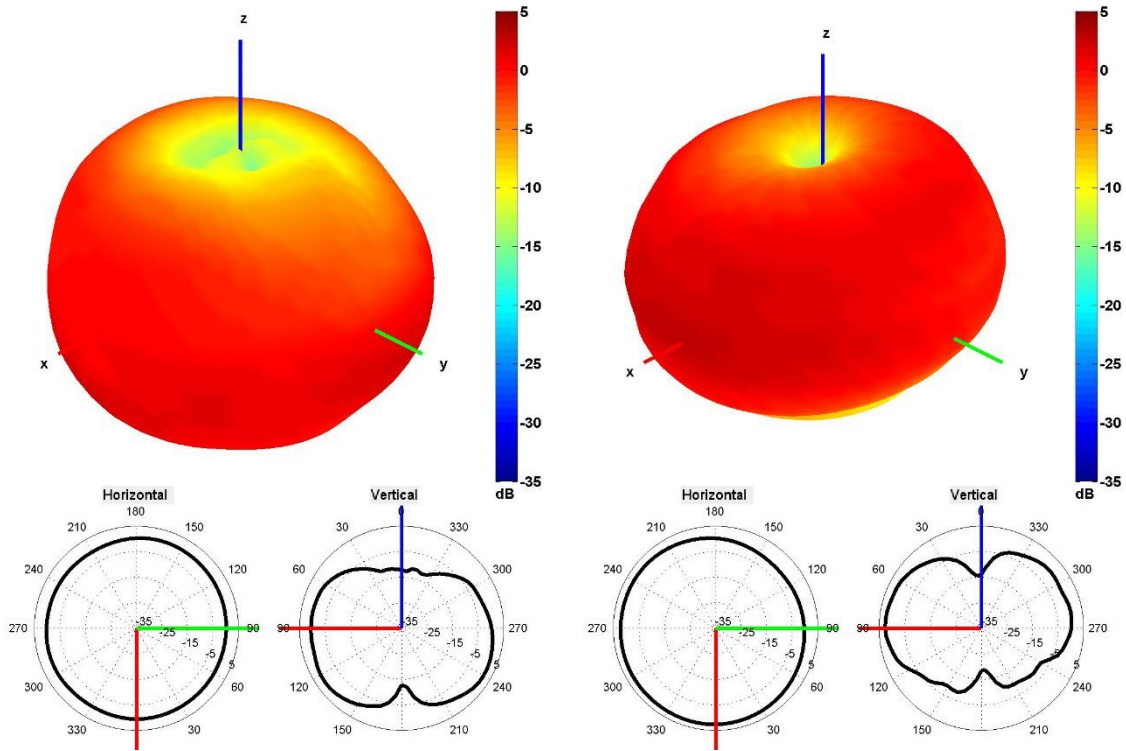
3. Antenna parameters





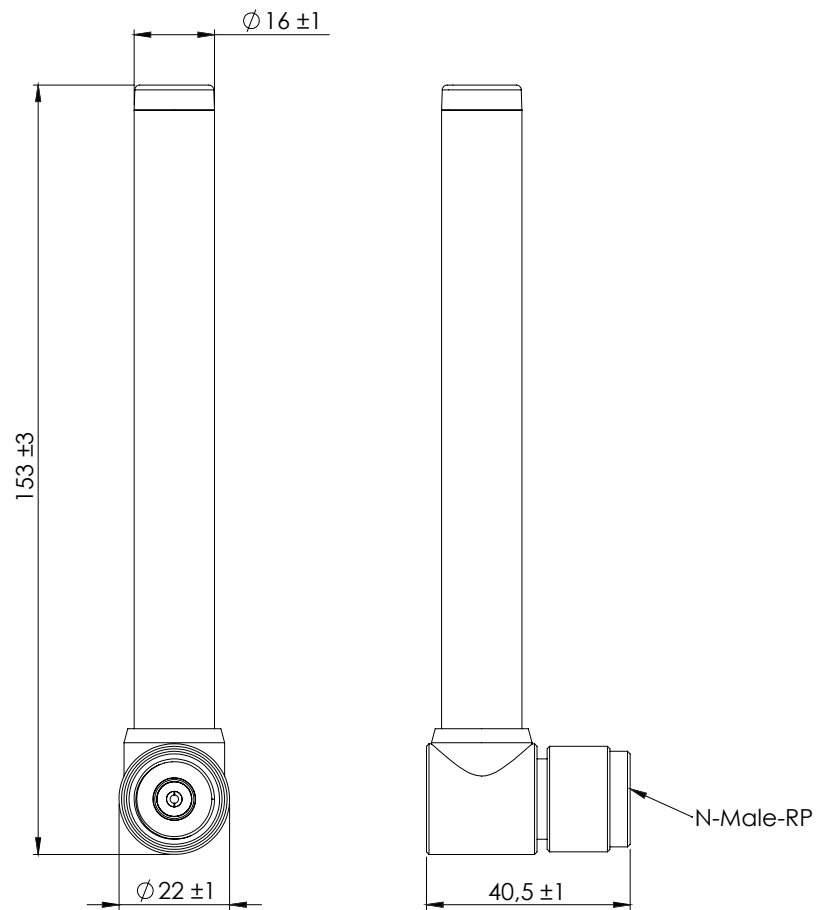


Radiation pattern reference



2450 and 5500 MHz Radiation pattern

4. Antenna drawings



5. Antenna Images

