

# 2J2115B-B05H

868/915 MHz ISM Wall Mount

## Key Features

### 868/915 MHz ISM

- 863-870 MHz

- 902-928 MHz

Wall Mount

High Performance

Ground Plane Independent

Customized Cable and Connector

Dimensions 325 × 36 × 155 (220 × Ø 16) mm

Certificates: IP67



## 1. Antenna and electrical specifications

Parameters	868/915 MHz ISM Antenna	
<b>Standards</b>	ZigBee, ISM, SIGFOX, LoRa	
<b>Band (MHz)</b>	868 MHz	915 MHz
<b>Frequency (MHz)</b>	863-870	902-928
<b>Return Loss (dB)</b>	~-17.6	~-16.9
<b>VSWR</b>	~1.3:1	~1.4:1
<b>Efficiency (%)</b>	~65.1	~71.3
<b>Peak Gain (dBi)</b>	~3.2	~2.9
<b>Average Gain (dB)</b>	~-1.9	~-1.5
<b>Impedance (Ohm)</b>	50	
<b>Polarisation</b>	Linear	
<b>Radiation Pattern</b>	Omni-Directional	
<b>Max. Input Power (W)</b>	25	
<b>Connector Type</b>	Most RF Connectors (SMA-Male Standard)	
<b>Cable Length</b>	Any Cable Length (300cm Standard)	
<b>Cable Type</b>	Other Cables Available (RG58 Standard)	

### Antenna Measurement Conditions:

Free Space

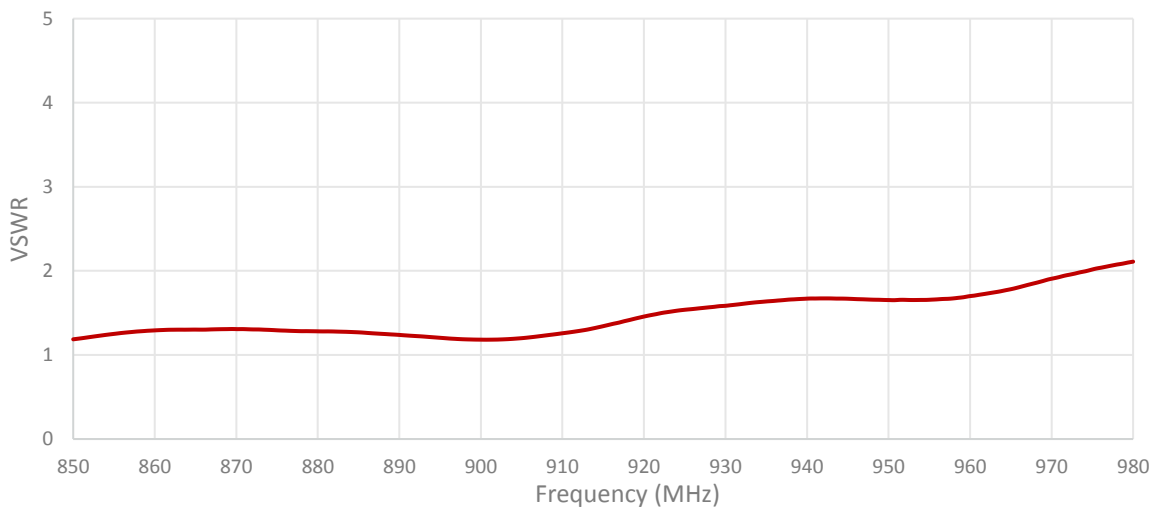
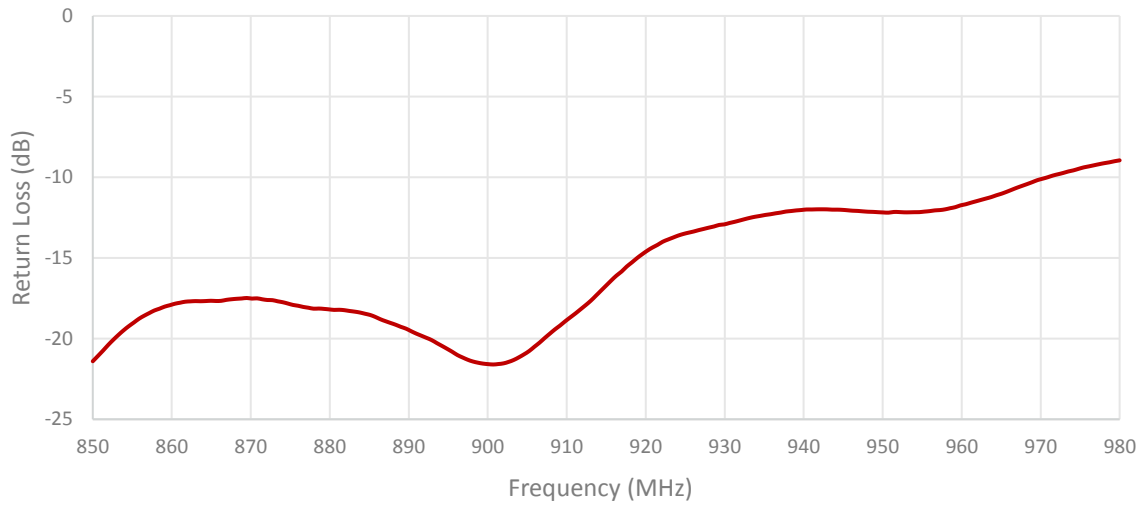
200 cm RG58 Cable

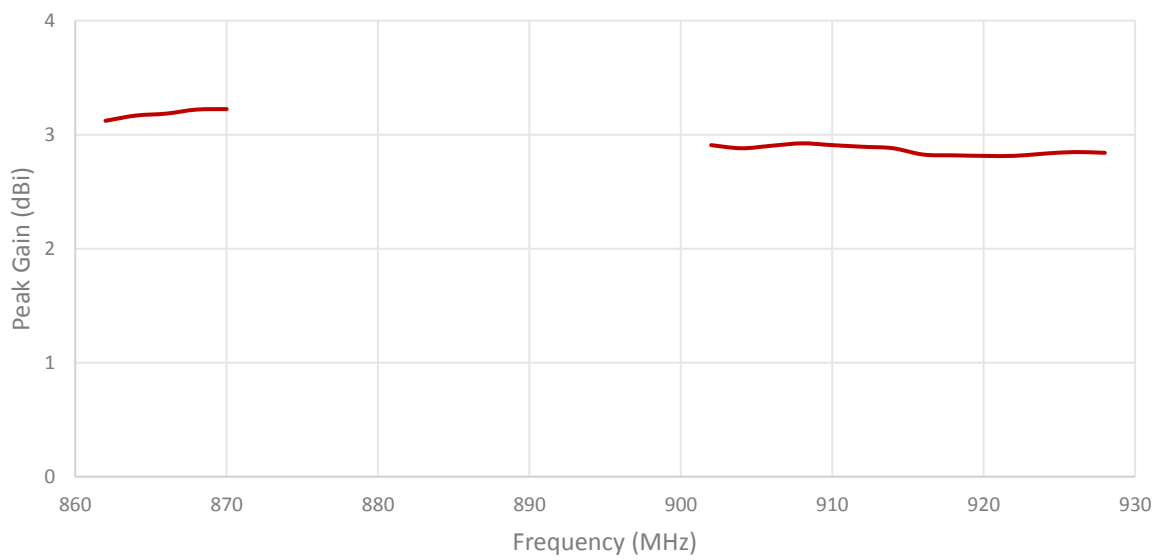
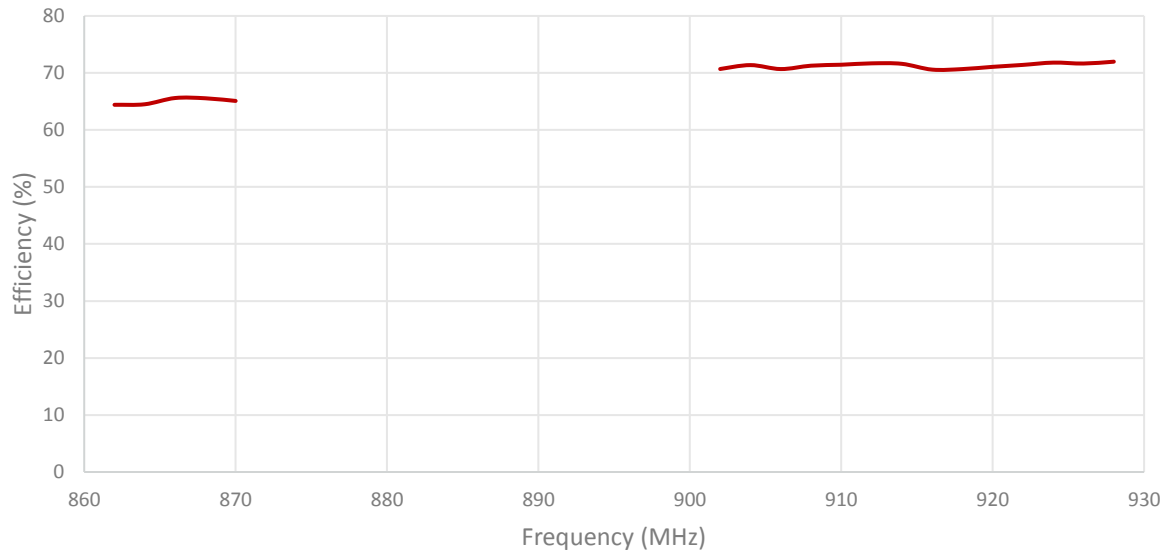
Measured in Certified CTIA 3D Anechoic Chamber

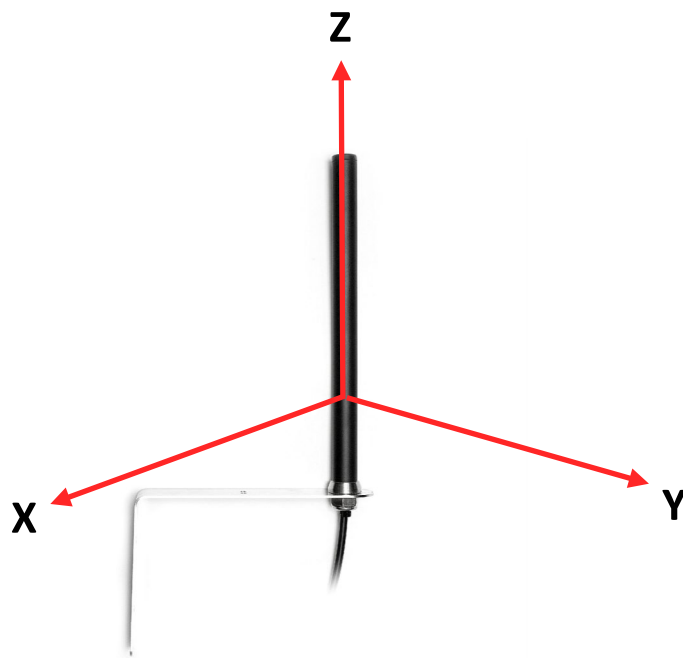
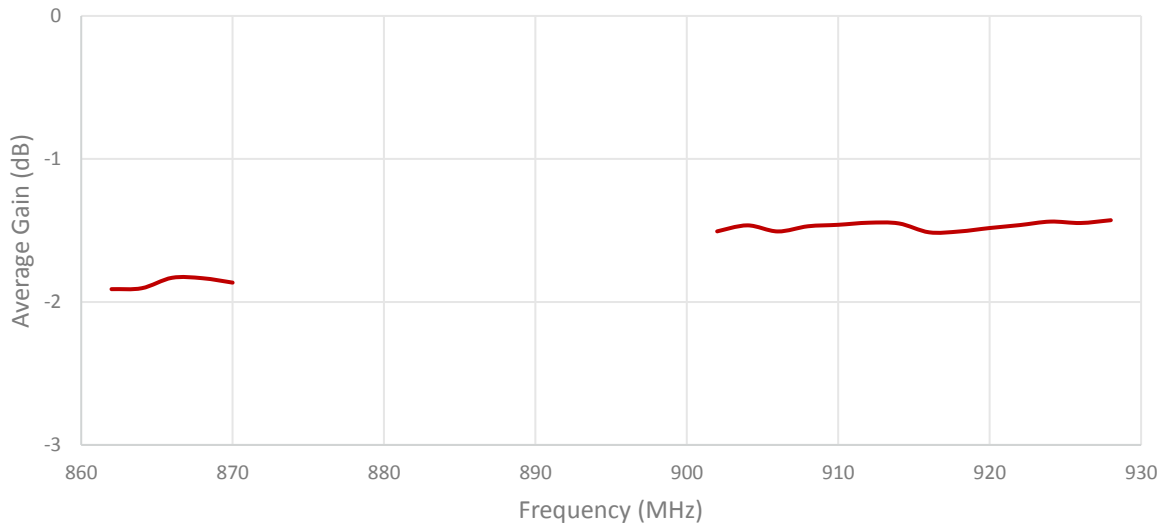
## 2. Mechanical and environmental specifications

Specifications	2J2115B-B05H
<b>Mounting Type</b>	Wall Mount
<b>Dimensions (mm)</b>	325 × 36 × 155 (220 × Ø 16)
<b>Radome</b>	PC/ABS UV Stable
<b>Radome color</b>	Black
<b>Antenna Base</b>	Brass
<b>Bracket</b>	Stainless Steel
<b>Operating Temperature (C)</b>	-40 to +85
<b>Storage Temperature (C)</b>	-40 to +85
<b>Substance Compliance</b>	RoHS
<b>Certificates</b>	IP67

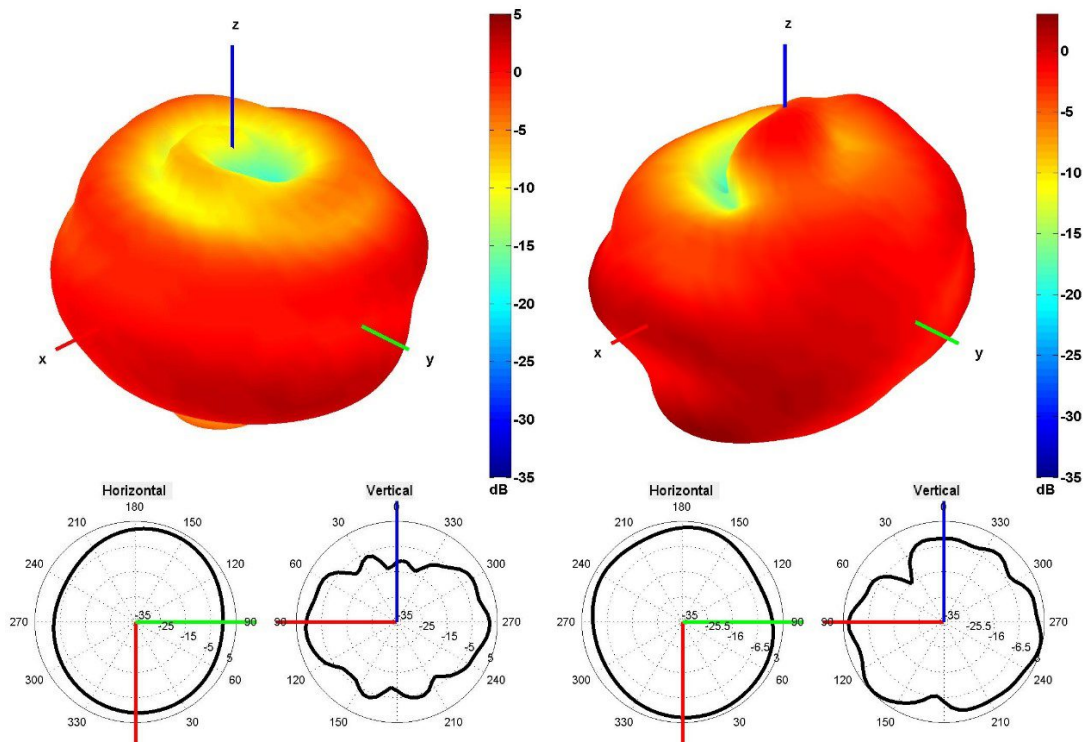
## 3. Antenna parameters





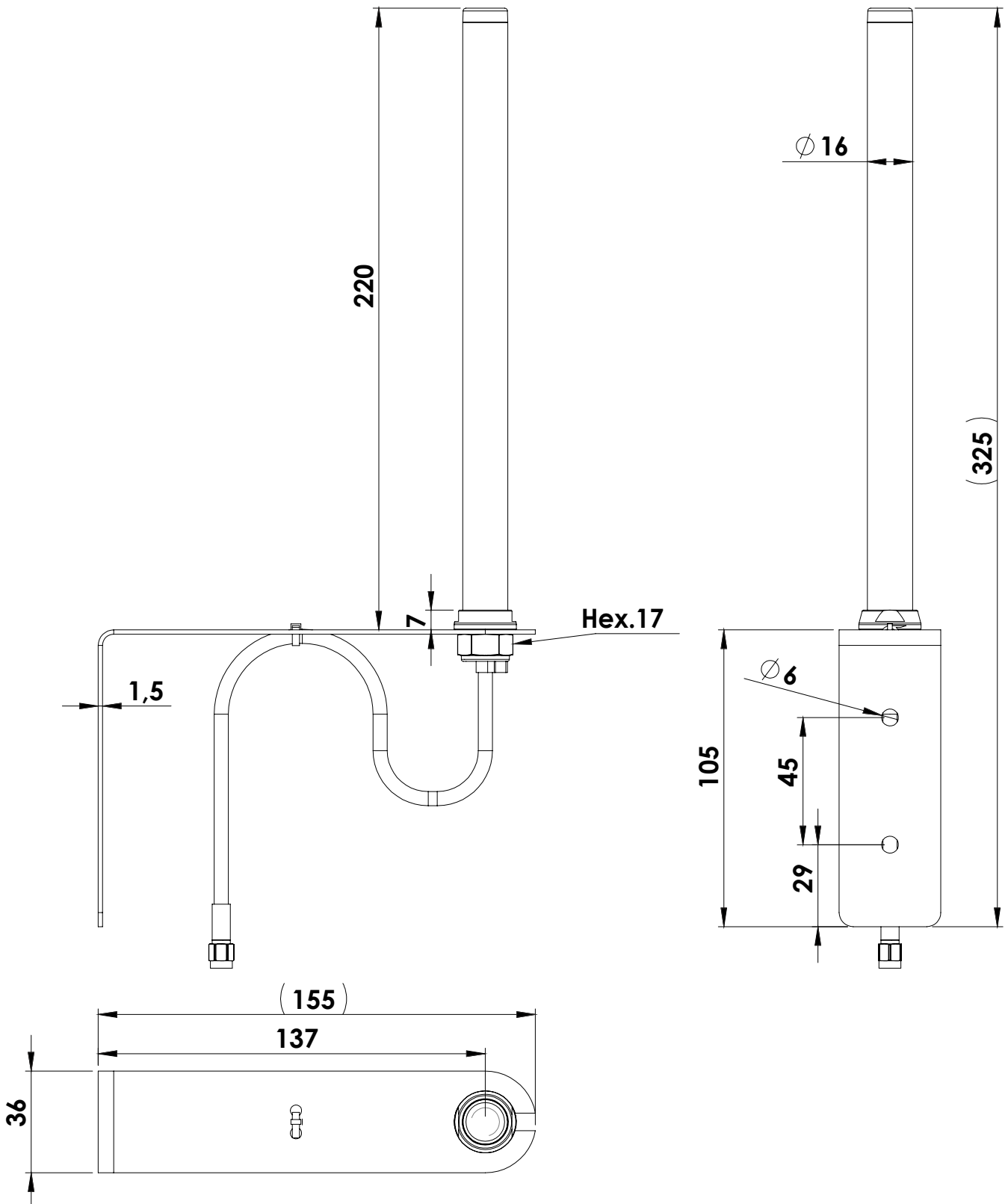


Radiation pattern reference



868 and 915 MHz Radiation pattern

## 4. Antenna drawings



## 5. Antenna Images

