

## 2J1015B-915

915 MHz ISM Screw Mount

### Key Features

**915 MHz ISM**  
- 902-928 MHz  
Screw Mount  
Ground Plane Dependent  
Low Profile  
Dimensions 50 x Ø16 mm



## 1. Antenna and electrical specifications

Parameters	915 MHz ISM Antenna
<b>Standards</b>	ZigBee, ISM, SIGFOX, LoRa
<b>Band (MHz)</b>	915 MHz
<b>Frequency (MHz)</b>	902-928
<b>Return Loss (dB)</b>	~-10.9
<b>VSWR</b>	~1.9:1
<b>Efficiency (%)</b>	~38.7
<b>Peak Gain (dBi)</b>	~-0.2
<b>Average Gain (dB)</b>	~-4.5
<b>Impedance (Ohm)</b>	50
<b>Polarisation</b>	Linear
<b>Radiation Pattern</b>	Omni-Directional
<b>Max. Input Power (W)</b>	25
<b>Connector Type</b>	Most RF Connectors (SMA-Male Standard)
<b>Cable Length</b>	Any Cable Length (300cm Standard)
<b>Cable Type</b>	Other Cables Available (RG174 Standard)

### Antenna Measurement Conditions:

Mounted on Ground Plane of 30 x30 cm

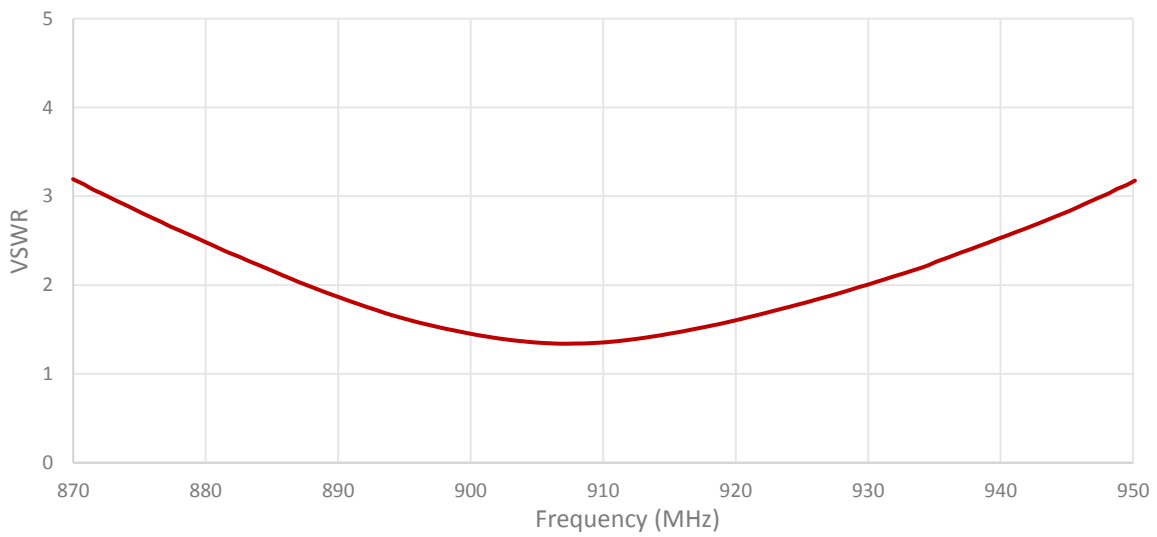
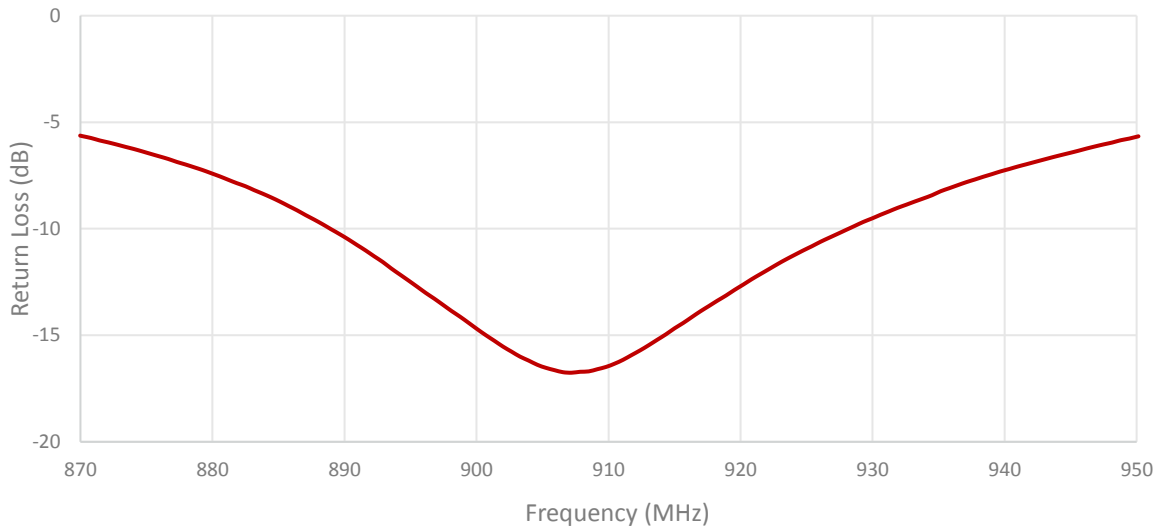
100 cm of RG174 Cable

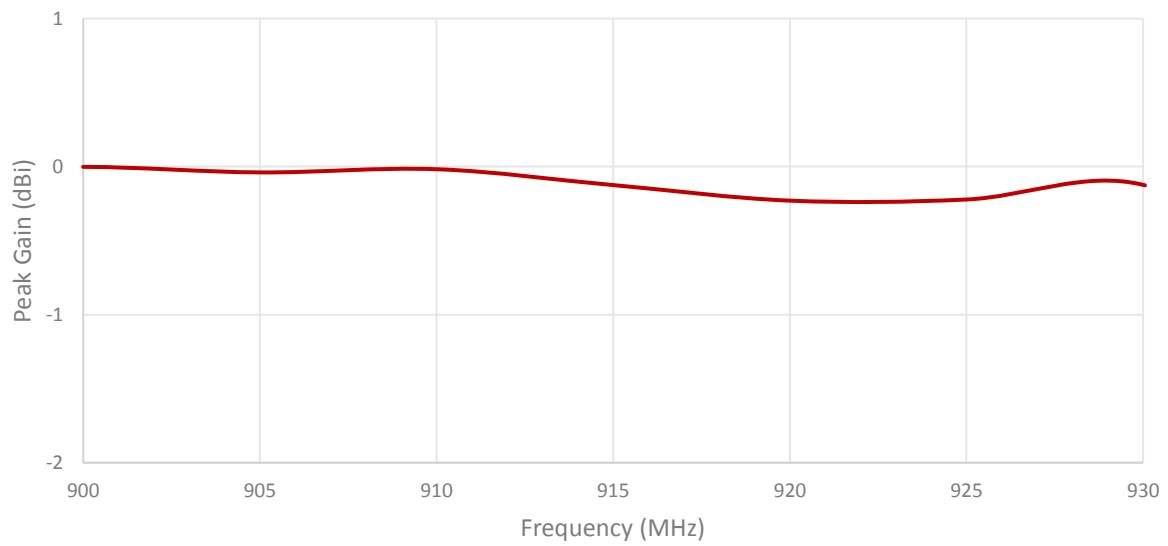
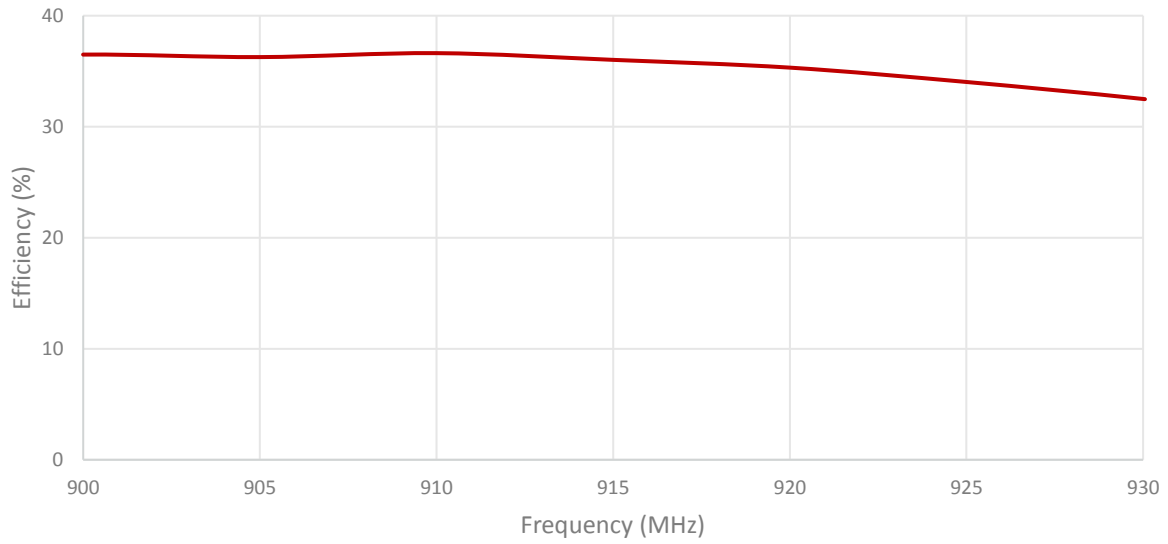
Measured in Certified CTIA 3D Anechoic Chamber

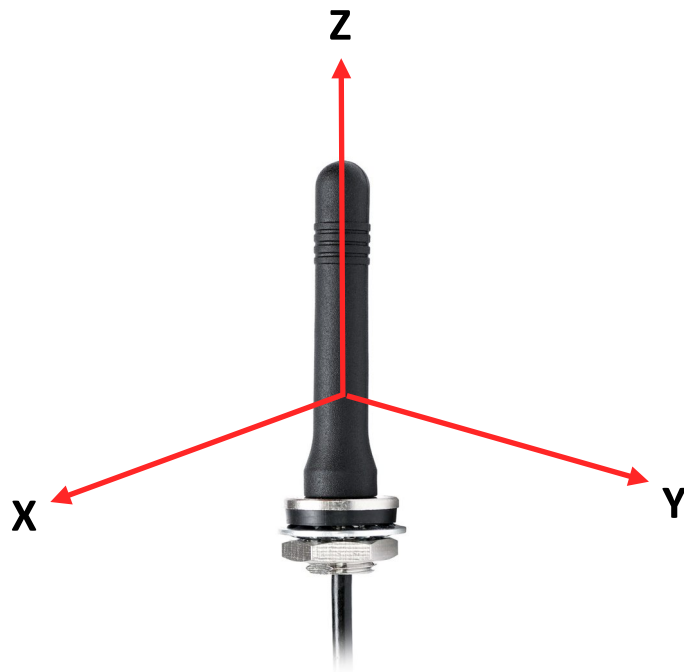
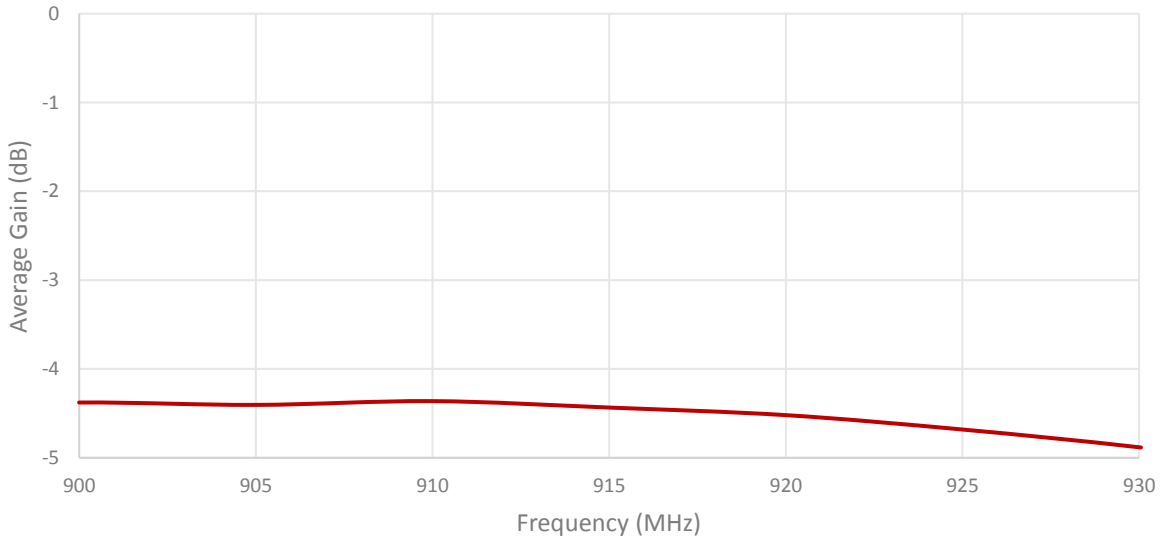
## 2. Mechanical and environmental specifications

Specifications	2J1015B-915
<b>Mounting Type</b>	Screw Mount
<b>Dimensions (mm)</b>	50 x Ø16
<b>Max. Tighten Torque (Nm)</b>	4Nm
<b>Radome</b>	ABS UV Stable
<b>Radome color</b>	Black
<b>Operating Temperature (C)</b>	-40 to +85
<b>Storage Temperature (C)</b>	-40 to +85
<b>Substance Compliance</b>	RoHS

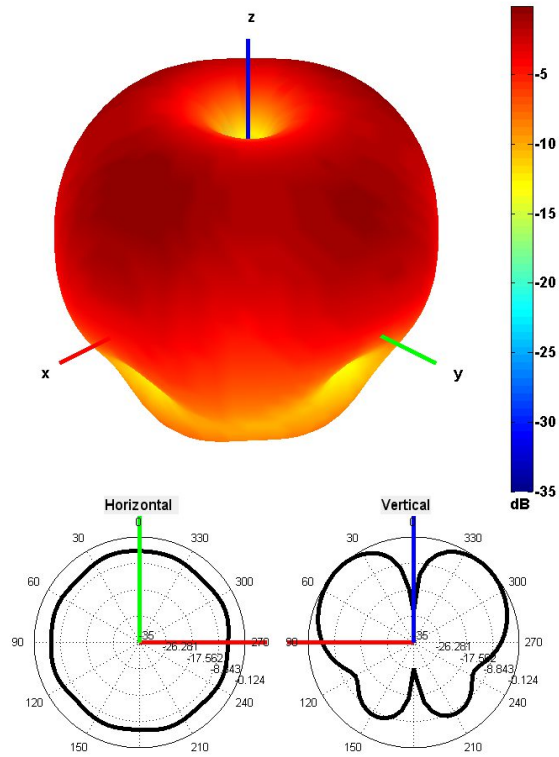
### 3. Antenna parameters





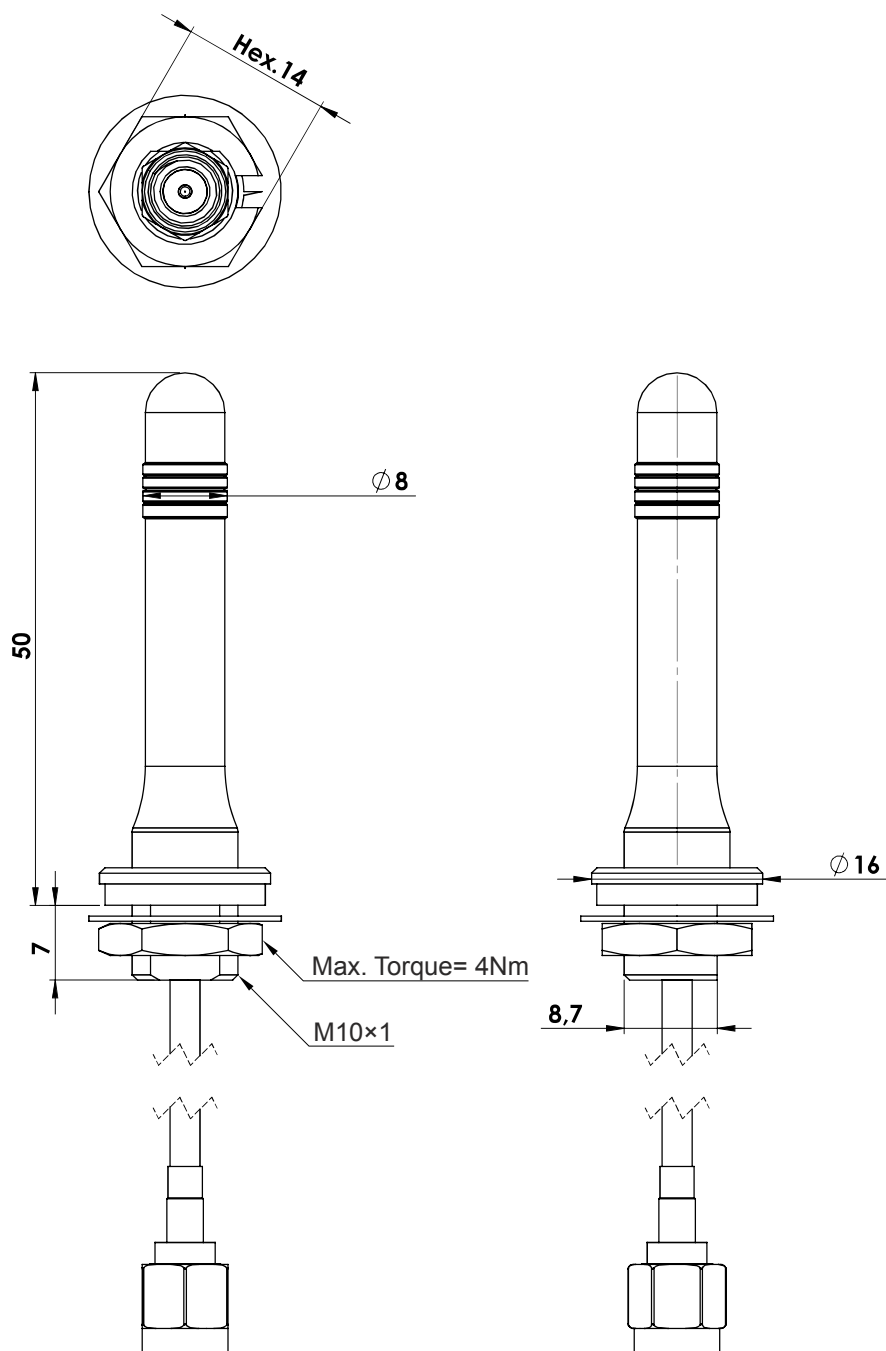


Radiation pattern reference



915 MHz Radiation pattern

## 4. Antenna drawings



## 5. Antenna Images

