

2J0115-433-C109N

433 MHz ISM Connector Mount

Key Features

433 MHz ISM
- 433-435 MHz
Connector Mount
Ground Plane Dependent
Low Profile
Dimensions 53 x 10 × 18 mm



1. Antenna and electrical specifications

Parameters	433 MHz ISM Antenna
Standards	ISM, LoRa
Band (MHz)	433 MHz
Frequency (MHz)	433-435
Return Loss (dB)	~-13.0
VSWR	~1.6:1
Efficiency (%)	~27
Peak Gain (dBi)	~-3.8
Average Gain (dB)	~-5.7
Impedance (Ohm)	50
Polarisation	Linear
Radiation Pattern	Omni-Directional
Max. Input Power (W)	25
Connector Type	SMA-Male-R/A Standard

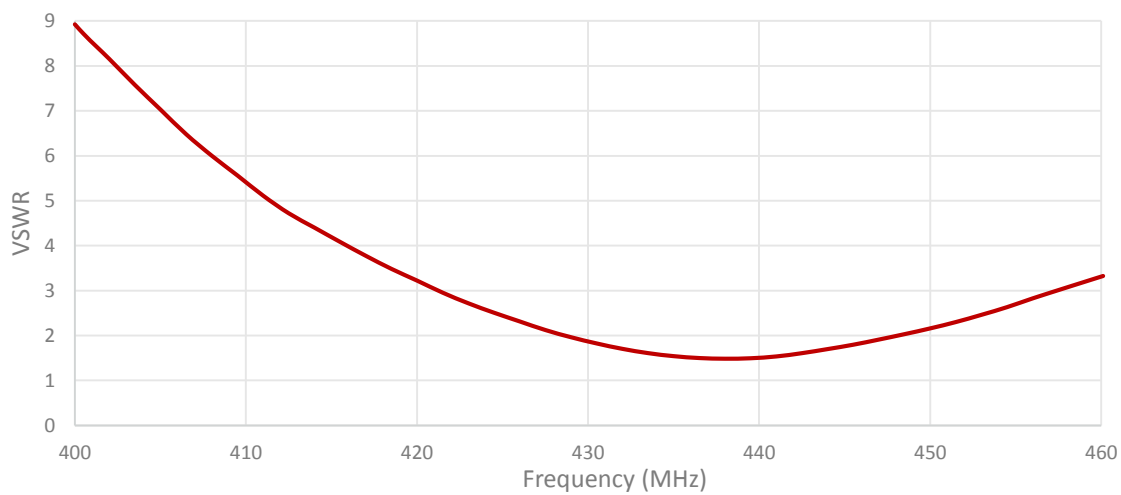
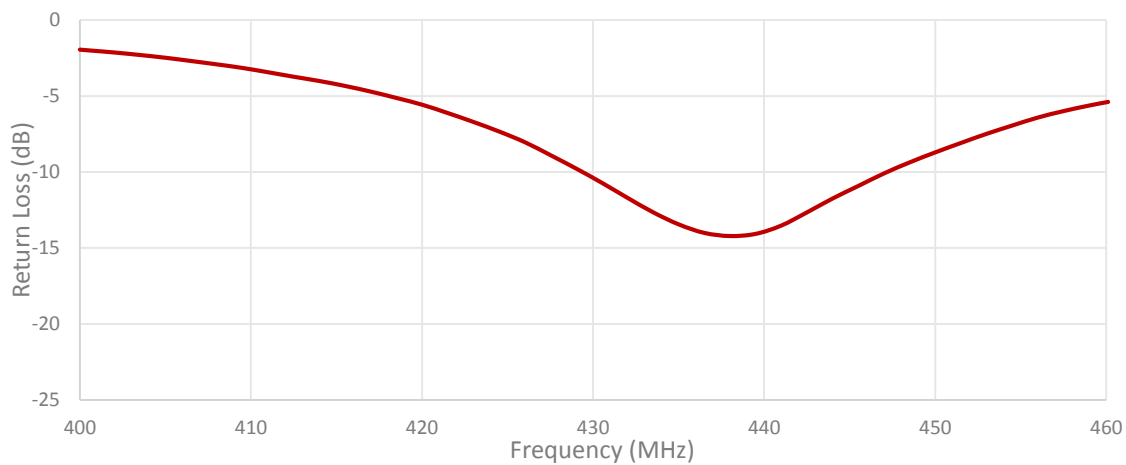
Antenna Measurement Conditions:

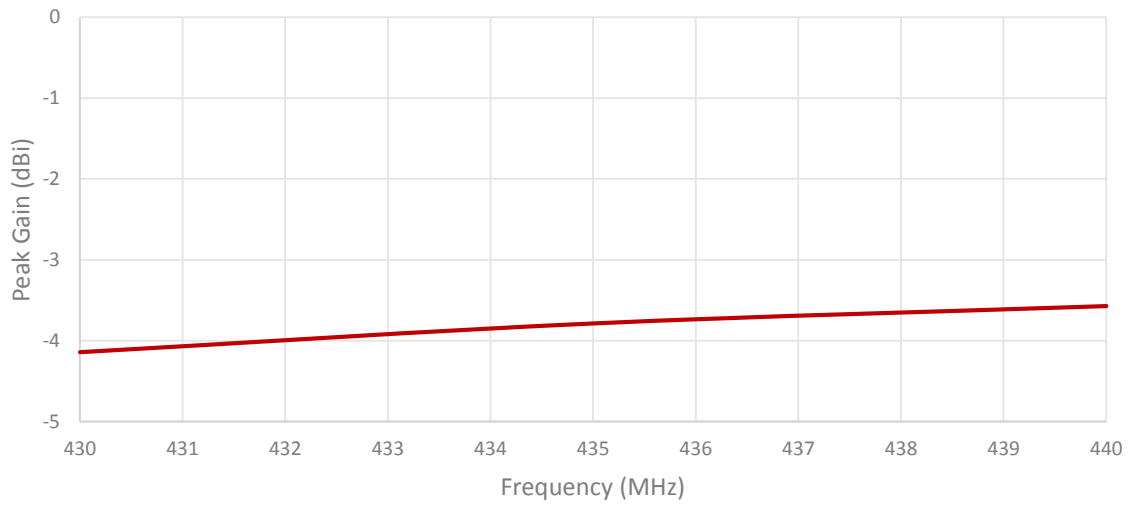
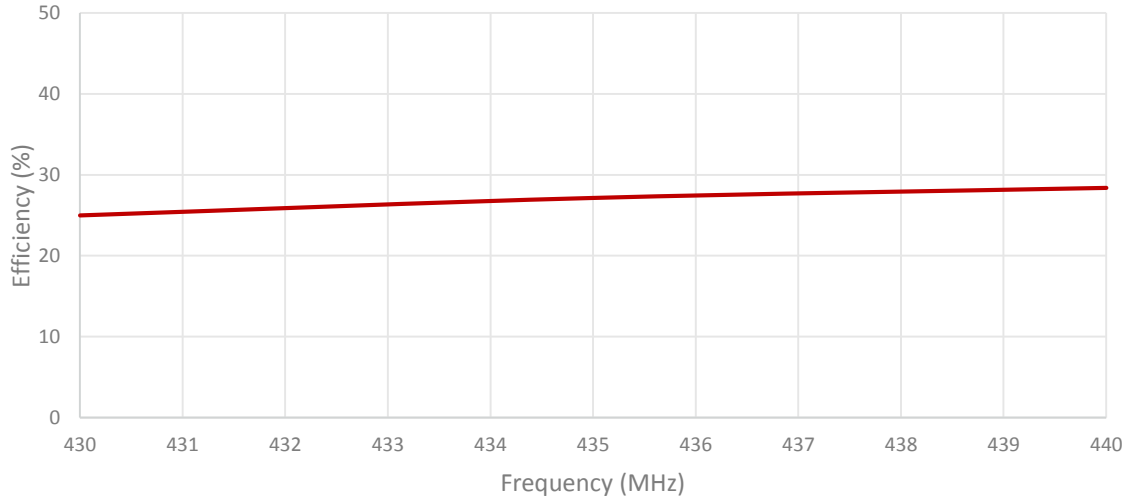
Mounted on Ground Plane of 150x50 mm
 Measured in Certified CTIA 3D Anechoic Chamber

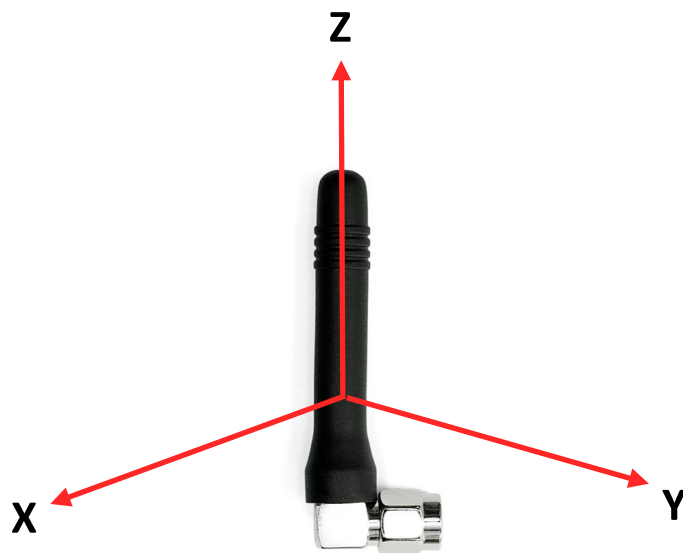
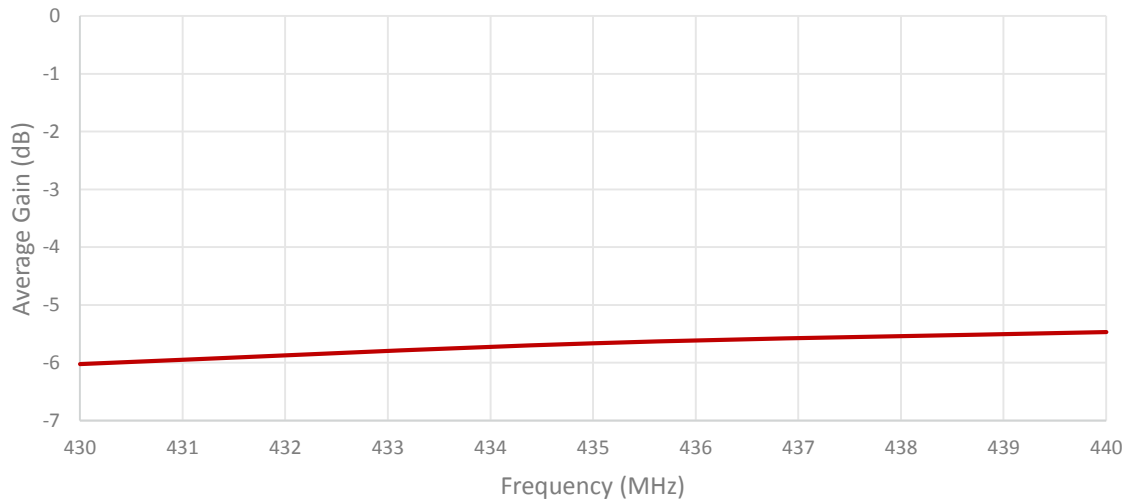
2. Mechanical and environmental specifications

Specifications	2J0115-433-C109N
Mounting Type	Connector Mount
Dimensions (mm)	53 × 10 × 18
Radome	TPE
Radome color	Black
Operating Temperature (C)	-40 to +85
Storage Temperature (C)	-40 to +85
Substance Compliance	RoHS

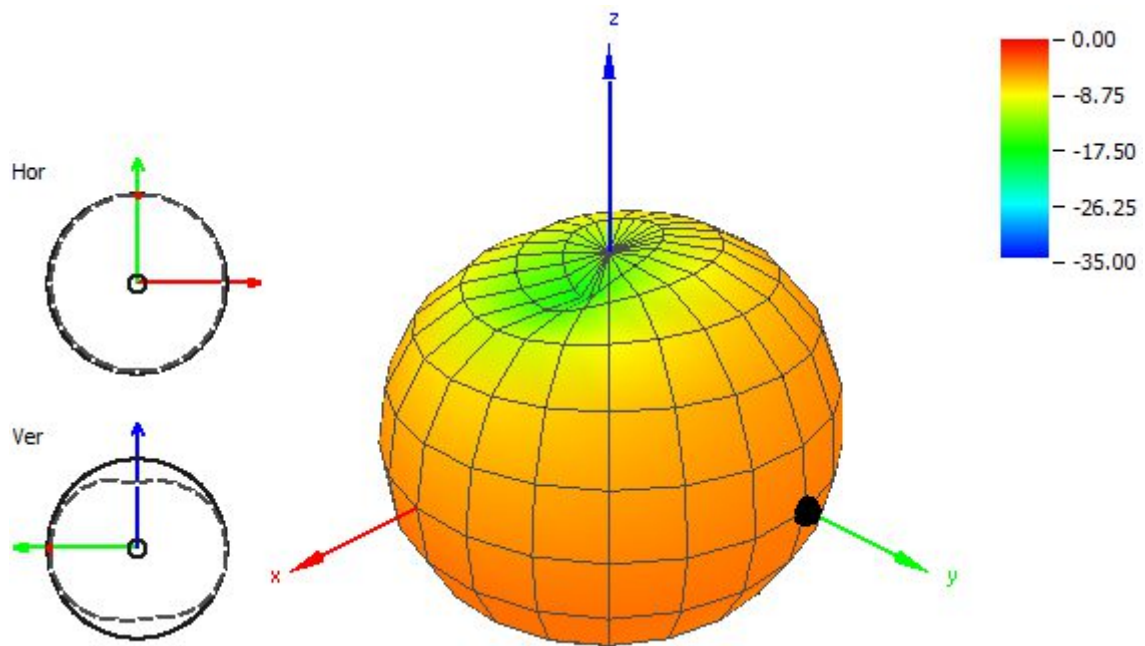
3. Antenna parameters





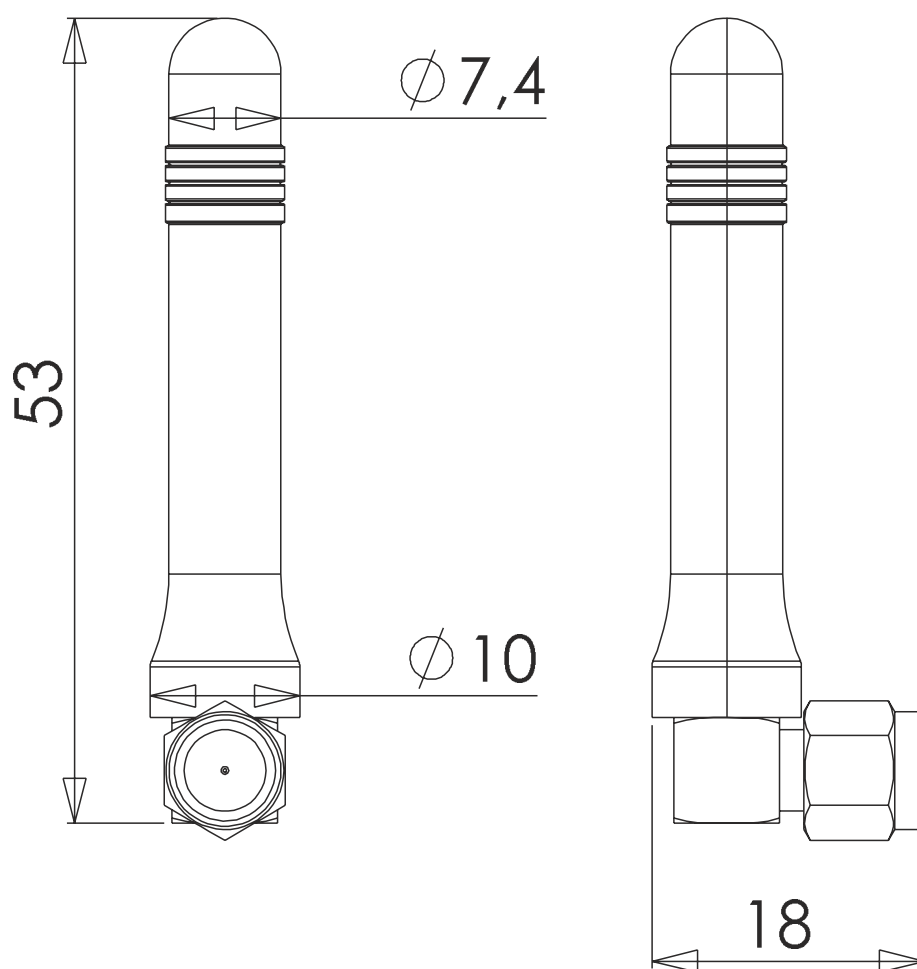


Radiation pattern reference



433 MHz Radiation pattern

4. Antenna drawings



5. Antenna Images

